



Teilleiste

Spare Parts List

DÜRKOPP

Z 110 - Z 151

Dürkoppwerke GmbH

Postfach 6 · D-4800 Bielefeld 1 · Telefon (0521) 556-0 · Telex 932400-0 dw d

Inhaltsübersicht

Vorlagetisch	Z110-1	Tafel 1
Schere	Z111-1	Tafel 2
Schere	Z111-11, -12	Tafel 3
Schere	Z-111-13	Tafel 4
Schere	Z111-17	Tafel 5
Anschiebetisch	Z111-17	Tafel 6
Wartungseinheit	Z111-11, -12, -13, -17	Tafel 7
Bandschere	Z111-238	Tafel 8
Elektropneumat. Drückerfußlüftung	Z115-1, -2	Tafel 9
Pneumat. Füßchenlüftung	Z115-10	Tafel 10
Pneumat. Füßchenlüftung	Z115-20	Tafel 11
Elektropneumat. Drückerfußlüftung	Z115-21	Tafel 12
Pneumat. Drückerfußlüftung	Z115-51	Tafel 13
Elektropneumat. Füßchenlüftung	Z115-103	Tafel 14
Elektropneumat. Drückerfußlüftung	Z115-121	Tafel 15
Pneumat. Fußlüftung	Z115-211	Tafel 16
Pneumat. Stichverriegelung	Z116-1, -2, -3	Tafel 17
Pneumat. Stichverriegelung	Z116-13, -32	Tafel 18
Elektropneumat. Stichverriegelung	Z116-20, -21	Tafel 19
Elektropneumat. Stichverriegelung	Z116-211, -244, -255	Tafel 20
Elektropneumat. Drückerfußlüftung und Stichstellerbetätig.	Z117-1, -2, -3	Tafel 21
Elektropneumat. Drückerfußlüftung und Stichstellerbetätig.	Z117-21	Tafel 22, 23
Pneumat. Stichverriegelung und Füßchenlüftung	Z117-32, -34	Tafel 24
Pneumat. Drückerfußlüftung und Stichstellerbetätigung	Z117-51, -52, -53, -54	Tafel 25
Elektropneumat. Drückerfußlüftung und Stichstellerbetätig.	Z117-121	Tafel 26
Fußlüftung mit Handtaster und Verriegelung	Z117-211, -244, -255	Tafel 27
Absaugpumpe	Z119-9	Tafel 28
Fadenwischer	Z120-1, -2, -5, -6, -9	Tafel 29
Fadenwischer, pneumat.	Z120-11, -12	Tafel 30
Fadenwischer, pneumat.	Z120-15, -19	Tafel 31
Fadenwischer, pneumat.	Z120-33, -39, -43, -49	Tafel 32
Magnet. Fadenwischer	Z120-211, -1211	Tafel 33
Magnet. Fadenwischer	Z120-212, -1212, -244, -1244	Tafel 34
Magnet. Fadenwischer	Z120-212 R, -1212 R	Tafel 35
Magnet. Fadenwischer	Z120-219, -1219, -265, -1265	Tafel 36
Magnet. Fadenwischer	Z120-380, -1380	Tafel 37
Oberfadenblaseinrichtung	Z120-5211, -5212, -5244, -5380	Tafel 38
Fadenzieher	Z123-1, -2, -5, -6, -245	Tafel 39
Pneumat. Fußbetätigung von Senkrechtschneider	Z124-212	Tafel 40
Nadelpositioniereinrichtung	Z125-5 L, -5 R	Tafel 41
Pneumat. Nadelschaltung	Z126-1, -2	Tafel 42
Puller	Z127-243-1, -243-2, -243-3, -243-4	Tafel 43, 44
Puller	Z127-380-1, -380-2, -380-3, -380-4, -380-5	Tafel 45, 46
Bandabzugsgerät	Z129-1	Tafel 47
Markierungsleuchte	Z130-570	Tafel 48
a) Blaseinrichtung b) Nadelkühlung mit Steuerung	Z132-933-1, -933-2, -211, -265	Tafel 49
Nadelkühlung mit Steuerung	Z132-933-11, -933-12, -933-41, -933-42	Tafel 50
Nadelkühlung mit Schaltgestänge	Z132-243-10 E, -243-10 Q, -243-10 G	Tafel 51
	Z132-244-10 E, -244-10 Q, -244-10 K, -244-10 G	Tafel 51
Nadelkühlung	Z132-556, -570	Tafel 52
Anbausatz für Infrarot-Lichtschanke	Z133-1-211	Tafel 53
Anbausatz für Infrarot-Lichtschanke	Z133-1-212	Tafel 54
Anbausatz für Infrarot-Lichtschanke	Z133-1-219	Tafel 55
Anbausatz für Infrarot-Lichtschanke	Z133-6-219	Tafel 56
Fußtrittgesteuerter Abhacker	Z151-101, -102	Tafel 57
Fotozellengesteuerter Abhacker	Z151-111, -112	Tafel 58
Steuerung	Z151-111, -112, -211, -311-933, -111-221, -111-933, -111-212	Tafel 59, 60
Fußtrittgesteuerter Abhacker	Z151-201	Tafel 61
Fotozellengesteuerter Abhacker	Z151-211	Tafel 62, 63
Abhacker mit Reflexlichtschranke	Z151-221	Tafel 64
Fußtrittgesteuerter Abhacker	Z151-301-211	Tafel 65
Fußtrittgesteuerter Abhacker	Z151-301-265	Tafel 66
Fußtrittgesteuerter Abhacker	Z151-301-933, -401	Tafel 67
Fotozellengesteuerter Abhacker	Z151-311-933	Tafel 68
Fotozellengesteuerter Abhacker	Z151-111-211	Tafel 69
Fußtrittgesteuerter Abhacker	Z151-101-211, -101-212, -101-933	Tafel 70
Fotozellengesteuerter Abhacker	Z151-111-212, -111-933	Tafel 71
Fußtrittgeschalteter Abhacker	Z151-601	Tafel 72

Contents

Feed table	Z110-1	Table 1
Scissors	Z111-1	Table 2
Scissors	Z111-11, -12	Table 3
Scissors	Z-111-13	Table 4
Scissors	Z111-17	Table 5
Sliding table	Z111-17	Table 6
Conditioning unit	Z111-11, -12, -13, -17	Table 7
Band scissors	Z111-238	Table 8
Electro-pneumatic pressure controlled foot lifting	Z115-1, -2	Table 9
Pneumatic foot lifting	Z115-10	Table 10
Pneumatic foot lifting	Z115-20	Table 11
Electro-pneumatic pressure controlled foot lifting	Z115-21	Table 12
Pneumatic pressure controlled foot lifting	Z115-51	Table 13
Electro-pneumatic pressure controlled foot lifting	Z115-103	Table 14
Electro-pneumatic pressure controlled foot lifting	Z115-121	Table 15
Pneumatic foot lifting	Z115-211	Table 16
Pneumatic Stitch-locking	Z116-1, -2, -3	Table 17
Pneumatic Stitch-locking	Z116-13, -32	Table 18
Electro-pneumat. Stitch locking	Z116-20, -21	Table 19
Electro-pneumatic Stitch locking	Z116-211, -244, -255	Table 20
Electro-pneumatic pressure controlled foot lifting and stitch guide operating	Z117-1, -2, -3	Table 21
Electro-pneumatic pressure controlled foot lifting and stitch guide operating	Z117-21	Table 22, 23
Pneumatic stitch locking and foot lifting	Z117-32, -34	Table 24
Pneumatic pressure controlled foot lifting and stitch guide operating	Z117-51, -52, -53, -54	Table 25
Electro-pneumatic pressure controlled foot lifting and stitch guide operating	Z117-121	Table 26
Foot lifting with Hand Sensor and Locking Device	Z117-211, -244, -255	Table 27
Suction pump	Z119-9	Table 28
Thread wiper arm assembly	Z120-1, -2, -5, -6, -9	Table 29
Pneumatic Thread wiper arm assembly	Z120-11, -12	Table 30
Pneumatic Thread wiper arm assembly	Z120-15, -19	Table 31
Pneumatic Thread wiper arm assy.	Z120-33, -39, -43, -49	Table 32
Magnetic Thread wiper arm assy.	Z120-211, -1211	Table 33
Magnetic Thread wiper arm assy.	Z120-212, -1212, -244, -1244	Table 34
Magnetic Thread wiper arm assy.	Z120-212 R, -1212 R	Table 35
Magnetic Thread wiper arm assy.	Z120-219, -1219, -265, -1265	Table 36
Magnetic Thread wiper arm assy.	Z120-380, -1380	Table 37
Upper Thread Blowing Device	Z120-5211, -5212, -5244, -5380	Table 38
Thread puller	Z123-1, -2, -5, -6, -245	Table 39
Pneumatic Foot Actuation for Engaging and Disengaging of Vertical Cutter	Z124-212	Table 40
Needle Positioning Device	Z125-5 L, -5 R	Table 41
Pneumatic Needle Feed Motion	Z126-1, -2	Table 42
Puller	Z127-243-1, -243-2, -243-3, -243-4	Table 43, 44
Puller	Z127-380-1, -380-2, -380-3, -380-4, -380-5	Table 45, 46
Puller	Z129-1	Table 47
Marking Light	Z130-570	Table 48
a) Blowing Device to Needle Cooling b) Needle Cooling	Z132-933-1, -933-2, -211, -265	Table 49
Needle Cooling with Control System	Z132-933-11, -933-12, -933-41, -933-42	Table 50
Needle Cooling with Controlling Rods	Z132-243-10 E, -243-10 Q, -243-10 G	Table 51
	Z132-244-10 E, -244-10 Q, -244-10 K, -244-10 G	Table 51
Needle Cooling	Z132-556, -570	Table 52
Add-on Unit for Ultrared Light Barrier	Z133-1-211	Table 53
Add-on Unit for Ultrared Light Barrier	Z133-1-212	Table 54
Add-on Unit for Ultrared Light Barrier	Z133-1-219	Table 55
Add-on Unit for Ultrared Light Barrier	Z133-6-219	Table 56
Pedal controlled Chop-off Device	Z151-101, -102	Table 57
Photoelectric cell controlled Chop-off Device	Z151-111, -112	Table 58
Control System	Z151-111, -112, -211, -311-933, -111-221, -111-933, -111-212	Table 59, 60
Pedal controlled Chop-off Device	Z151-201	Table 61
Photoelectric cell controlled Chop-off Device	Z151-211	Table 62, 63
Chop-off Device with Reflex Coil	Z151-221	Table 64
Pedal controlled Chop-off Device	Z151-301-211	Table 65
Pedal controlled Chop-off Device	Z151-301-265	Table 66
Pedal controlled Chop-off Device	Z151-301-933, -401	Table 67
Photoelectric cell controlled Chop-off Device	Z151-311-933	Table 68
Photoelectric cell controlled Chop-off Device	Z151-111-211	Table 69
Pedal controlled Chop-off Device	Z151-101-211, -101-212, -101-933	Table 70
Photoelectric cell controlled Chop-off Device	Z151-111-212, -111-933	Table 71
Pedal controlled Chop-off Device	Z151-601	Table 72

Best.-Nr.	Tafel	Best.-Nr.	Tafel	Best.-Nr.	Tafel
24414611	16, 27	5513313	59	5701836	10, 11, 57, 58, 61, 62, 65, 66, 67, 68, 69, 70, 71, 72
24414619	16, 27	5513313	59	5701844	52
24414666	33, 34, 35, 36	5513328	59	5701847	38, 52
24414667	16, 20, 27, 33, 34, 35, 36	5513329	59	5701848	52
24415009	64	5513336	59	5701851	52
24415012	53, 54, 55	5513337	59	5701852	52
24415022	64	5551085	57, 58, 72	5701871	49
2453283	19	5564a	20, 27	5702136	40
2453285	19	55680	17, 21, 25	5702267	15
246134	61, 62, 63, 64	556457	61, 62, 63, 64	5702382	20, 27
246320	57, 61, 65, 66, 67, 70	556587	48	57010047	61, 62, 63, 64
24717a	19, 23, 26	556607	9, 10, 11, 12, 15, 21, 22, 26, 28	65045	17, 18, 21, 24, 25, 32
249230	37, 42, 45			6972399	8
249342a	43, 45	556895	33, 34, 35, 36, 37	70048	59
249440	19, 23, 26	5561313a	65, 66, 67, 68	700647	3, 4, 6
24940331	19, 23, 26	5561676a	16, 27	7001941	6
24940345	19, 23, 26	5561686	32, 33, 34, 35, 36, 37	7001954	6
24940354	19, 23, 26	5562068	55, 64	7001957	6
2492522389	39, 50	5562267	10, 11, 26, 28, 40, 42, 49, 50, 51, 57, 61, 65, 66, 67, 70	70220	47
249255129	17, 18, 20, 21, 24, 25, 27, 40, 41			70263	8, 32
264984	56	5563086	43	70266	61, 62, 63, 64
265131	65, 66, 67, 68	5567292	52	70273	61, 62, 63, 64
265565	5, 8, 53, 54, 55	5567375	37	702117	56
2653046	8	55614239	50	7101450	19, 23, 26, 47, 49
2654008	39	55615076	8	713302	5, 6, 9, 12, 21, 22, 50, 58, 62, 68, 69, 71
2654018	39	557111	16, 20, 27	717355	59
2658555	39	557263	6, 7, 8, 9, 12, 13, 17, 21, 22, 25, 51, 55, 57, 61, 66, 70	718155	38, 40, 42
26512024	39			718254	51, 57, 61, 65, 66, 67, 70
26513743	20, 27	557997	2	719123	5
2679501	39	5571015	42	72042a	6, 7, 10, 11, 13, 40, 42, 47, 49, 56, 57, 58, 61, 62, 65, 66, 67, 68, 69, 70, 71
2679502	39	5571494a	1	72043	6, 7, 11, 13, 42, 49, 57, 58, 61, 62, 65, 66, 67, 68, 69, 70, 71, 72
2679507	39	5571532	43, 45	720131	69, 71
2679512	39	5571842	8	720409b	43
2659521	39	5571971	37, 42, 45	720409e	45
27079	39	55830	65, 66, 67, 68	72153	7, 10, 11, 57, 61, 62, 65, 66, 67, 68, 69, 70, 71, 72
270263	60	55890	56, 58, 62, 64, 68	72164	10, 11
270276	40	558579	64	72171	2, 3, 4, 5, 9, 10, 11, 12, 13, 15, 16, 17, 18, 19, 20, 25, 37, 49, 52, 57, 61, 62, 65, 68, 70, 72
270631	9, 10, 13, 14, 16, 20, 24, 25, 27, 38	558631	33, 34, 35, 36	7221138	38
380117	61, 62, 63, 64	5581088	43, 45	7221139	32, 49, 52, 58, 62, 63, 64, 68, 69, 71, 72
380286	40	5581250	3, 4, 5	72332	1
380289	16, 27	5581304	52	739255	32, 33, 34, 35, 36, 43, 45, 52, 59, 61
3808871	39	560771	16, 17, 18, 19, 20, 27, 37, 38, 40, 51, 52	739297	51, 59
3808873	39			739298	59, 60
3808878	39	5601941	20, 27	739311	9, 12, 13, 21, 22, 25, 60
3808883	39	5691389	61, 62, 63, 64	739347	20, 27, 61, 62, 63, 64
3808885	39	5691895	8, 9, 12, 13, 18, 21, 22, 25, 31, 34, 35, 36, 43, 52, 58, 62, 68	739404	16, 27, 58, 62, 63, 64, 68, 69, 71, 72
3808887	39			739494	9, 12, 13, 14, 15, 21, 22, 24, 25, 26
3808893	39	5692663	13	739878	8
3808894	39	5692900	9, 12, 13, 15, 21, 22, 25, 26	7391108	2, 3, 4, 5
3808896	39	5693278	40	7395012	56
42084	48	5693947	6	7395024	45, 51
420324	37	5694445	2	7395105	20, 27
422277	61, 62, 63, 64	570117	2, 3, 4, 5	7395347	2, 3, 4, 5, 25, 33, 34, 35, 58, 62, 63, 68, 69, 71
531460	39	570118	19, 23, 26		
531464	29, 30, 31, 32, 39, 56	570138	3, 4, 5, 39		
531473	65, 66, 67, 68	570522	43, 45		
5411395	65, 66, 67, 68	570562	15, 26		
5411605	6	570751a	43		
549434	5	570912	8		
551987	8	570939a	51		
5511094	13	570939b	43, 45		
5511246	6, 39	570975	39		
5511252	47	5701220	51		
5511802	60	5701287	2, 3, 4, 5		
5511824	8, 30, 31, 37, 39, 56, 59, 60, 61, 62, 63, 64	5701287	2, 3, 4, 5		
5512537	8	5701392	8		
5513188	67	5701429	43, 45		
		5701594	61, 62, 63, 64		

Best.-Nr.	Tafel	Best.-Nr.	Tafel	Best.-Nr.	Tafel
73916830	61	7442526	9, 11, 42, 44, 46	7462641	60
73917416	56	7442528	7, 16, 40, 51, 52, 72	7465428	20, 27, 33, 34, 35, 36, 37
73917417a	56	7443142	8	74640118a	51
73917435a	56	7443572	8	7978	61, 65, 66, 67, 70
7421535	9, 12, 13, 21, 22, 25	7444872	64	79715	37
7421556	19, 23, 26	7444873	64	79717	40
7421699	28	7449034	8	79718	38
7421908	1	7449183	30, 31, 49, 52	79719	8
7422036	48, 49	7449317	6, 10, 11, 28, 42, 49, 50	797108	52
7422096	2, 3, 4, 5, 9, 10, 11, 12, 13, 15, 16, 17, 18, 19, 20, 25, 37, 49, 52, 57, 61, 62, 65, 68, 70, 72	7449384	50	797312	9, 12, 13, 14, 15, 19, 21, 22, 24, 25, 26
7422193	5	7449431	64	797313	8
7422198	59	7449491	44, 46	797319	16, 20, 27, 44, 46
7422203	29, 30, 31, 32	7449513	2, 3, 4, 5, 9, 10, 11, 12, 13, 15, 17, 18, 19, 20, 25, 37, 49, 52, 57, 61, 62, 65, 68, 70, 72	7971516	40
7422238	8, 16, 17, 18, 19, 20, 21, 22, 24, 25, 26, 37, 40, 44, 46, 49, 50, 51, 52	74412497	60	7971520	42
7422241	19, 23, 26	74412508	60	7971525	8
7422244	17, 18, 19, 21, 23, 24, 25, 26, 31, 40, 44, 46, 49, 51, 52	74413136	60	7971526	8
7422273	64, 72	74420766	47	7972312	27
74222598	48, 59	74421531	5	7973191	8, 14, 19, 24
7422656	59	74422392	8, 42	79813	50
7423017	1	74422393	8, 40, 42	79814	50
7423018	1	74423514	28	798607	58, 62, 68, 69, 71
7423040	1	74423556	5, 9, 10, 11, 12, 13, 14, 15, 16, 21, 22, 24, 25, 26, 40, 42, 61, 62, 65, 69, 70	798676	64
7423204	1	74423557	7	798221025	47
7423739	59	74423566	3, 4, 5, 9, 10, 11, 12, 13, 15, 21, 22, 24, 26, 32, 42, 44, 46, 49, 50, 51, 52, 61, 65, 67, 70	798352501	33, 34, 35, 36
7425374	61, 62, 63, 64	74423854	59	798482404	47
7426086	50	74423855	59	7991612	32, 44, 46, 48, 53, 54, 55, 57, 61, 65, 66, 67, 70, 72
7426258	28	74423864	51, 57, 61, 65, 66, 67, 70	902236	39
7427274	5, 58, 61, 62, 64, 65, 66, 67, 68, 69, 70, 71, 72	74423937	60	902514	29, 30, 31, 32
7427346	1	74423938	60	902602	20, 27, 43, 45
7427350	1	74423939	60	902707	53, 54, 55, 56
7427353	1	74423973	60	911210	61, 62, 63, 64
7427355	1	74423974	60	911267	43, 50, 61, 62, 63, 64, 69, 70
7427359	1	74423975	60	911339	29, 30, 31, 32, 39
7427360	1	74423977	60	911376	45
7427361	1	74423979	60	911457	2
7427363	1	74423980	60	911668	47
7441509	8, 44, 46	74424309	60	911679a	54, 65, 66, 67, 68
7441658	9, 12, 13, 21, 22, 25	74424529	59	913629	39, 58, 59, 62, 68, 71
7441744	8	74424728	60	9133206	37
7441793a	2, 3, 4, 5, 9, 11, 12, 13, 15, 16, 17, 18, 19, 20, 25, 37, 49, 52, 57, 61, 62, 65, 68, 70, 72	74425556	50	914330	39
7441798	7, 52	74427746	32	922394	2
7441802	7	74441124	43, 45	931157	29, 30
7441802a	7	74450243	38, 40, 43, 45	9312124	2
7441802b	7	74450244	40	9312131	58, 62, 63, 68, 69, 71
7441804	7	74450485	60	933586	40
7441804a	7	74450489	60	933587	40, 51
7441816	7, 28, 50	74450491	60	9331249k	47
7441819	8, 19, 38, 64, 72	74450532	60	9331249	47
7441820	8, 27, 32, 50	74450537	60	9331250	47
7441839	41	74450539	60	9335643	57, 58, 68, 70, 71, 72
7441884	26	74450542	60	9338964	70, 71
7441974	49	746768	8, 16, 20, 27, 37, 49, 50	9339444	57, 58
7441978	15, 26, 53, 54, 55	7461152	51	9339445	57, 58
7442094	5, 20, 47, 48, 52	7461402	48	9339475	57, 58
7442156	5	7461404	48	9339478	57, 58
7442168	20, 47, 48, 52	7461547	27, 44, 46, 65, 66, 67, 68	93311296	44, 46
7442208	9, 13, 14, 21, 23, 24, 25, 30, 31, 37	7461605	5	93311424	14, 28
7442380	4	7461699a	56	93311589	64
		7462208	20, 27	93311589a	64
		7462607	60	93311777	38
		7462609	60	93320031	58, 62, 68
		7462623	60	93320350	58, 62, 63, 68, 69, 71
				93360872	24
				93363982	32
				93370181	28
				93374261	52
				939394	69, 70, 71

Best.-Nr.	Tafel	Best.-Nr.	Tafel	Best.-Nr.	Tafel
93910071	19, 23, 26, 40				
93916829	61, 62, 63, 64				
93916830	61, 62, 63, 64				
93917412	56				
93917421	56				
93917425	56				
93917428	56				
93917429	56				
9421424	65, 66, 67, 68				
9424555	47				
9424586	8				
9424753	47				
94210318	8, 9, 12, 20, 21, 22, 27, 33, 34, 35, 36, 37, 52, 58, 62, 63, 68, 69, 71				
9421413	51				
96559	1				
1001360	8				
10011153	8				
10019123	23				
10019127	39				
10019128	8, 41, 51				
10019129	20, 27				
10019130	17, 18, 20, 21, 24, 25, 27, 43				
10019137	38				
10019141	6, 10, 11, 28, 42, 49, 50				
10019150	9, 10, 13, 14, 21, 24, 25				
10019162	8				
10019228	33, 34, 35, 36, 37				
10019239	61, 62, 63, 64				
1005233	33, 34, 35, 36, 40, 59				
93002119	10				

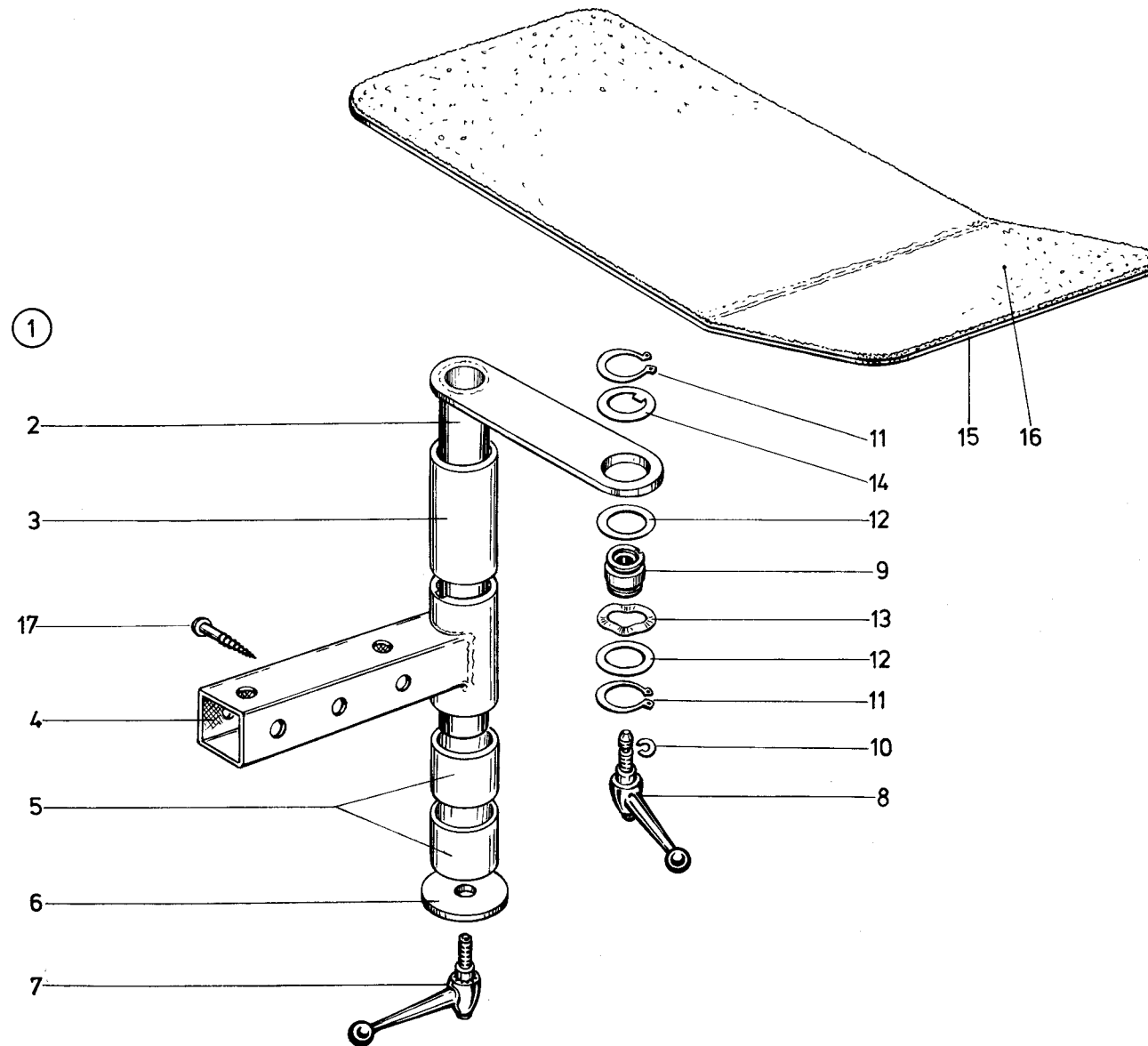
Inhaltsverzeichnis

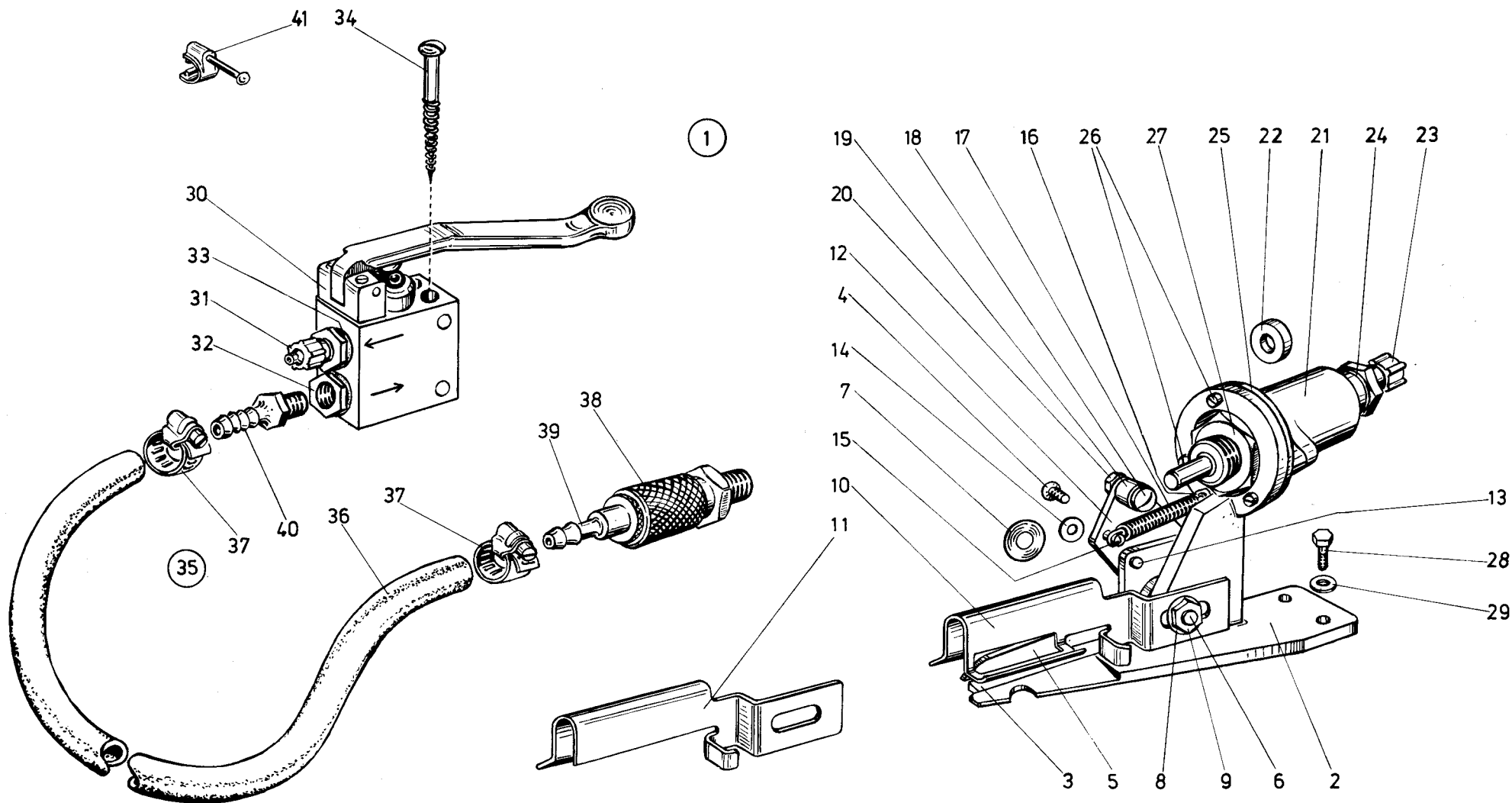
Best.-Nr.	Tafel	Best.-Nr.	Tafel	Best.-Nr.	Tafel
App. 528	32, 44, 46, 48, 53, 54, 55, 57, 61, 65, 70, 72	Z100341	57, 61, 65, 66, 67, 70	Z1159a	9, 10, 11, 12, 13, 14, 15, 21, 22, 24, 25, 26
MG4/6	8	Z100344	57, 61, 65, 66, 67, 70	Z11513	9, 10, 13, 14, 21, 24, 25
MG8/7	2, 5, 6, 9, 10, 11, 13, 14, 16, 21, 24, 25, 28, 43, 50, 53, 54, 55, 65, 66	Z100851	40	Z11521	9, 10, 13, 21, 25
MG41/1124	9, 12, 13, 14, 15, 21, 22, 24, 25, 26, 72	Z100852	40	Z11525	9, 10, 13, 14, 21, 25
MG41/1126	9, 12, 13, 21, 22, 25	Z100855	40	Z11531k	9, 12, 22
MG41/1364	9, 12, 13, 15, 21, 22, 26, 43, 45	Z100885	40	Z11532a	9, 12, 13, 21, 22
MG41/3013	18, 24	Z100932	40	Z11533a	9, 12, 13, 15, 21, 22, 25, 26
MG41/4524	44, 46	Z10010401	33, 34, 35, 36	Z11538	2, 3, 5, 9, 11, 12, 13, 15, 16, 17, 18, 19, 20, 25, 37, 49, 52, 57, 61, 62, 65, 68, 70, 72
MG41/4571	43, 45	Z110101	1	Z11541k	9, 12, 13, 21, 22, 25
MG41/4590	28	Z1111	2	Z11541	9, 12, 13, 21, 22, 25
MG41/8472	59	Z1112	2, 3, 4, 5	Z11551	9, 12, 13, 21, 22, 25
MG41/8473	59	Z11110	2, 3, 4, 5	Z11561	9, 12, 21, 22
MG41/9204	60	Z11112	2, 3, 4, 5	Z11588	2, 3, 4, 5, 9, 10, 11, 12, 13, 15, 16, 17, 18, 19, 20, 25, 37, 49, 52, 57, 61, 62, 65, 68, 70, 72
MG43/36	7, 10, 11, 13, 42, 57, 58, 61, 62, 65, 66, 67, 68, 69, 70, 71, 72	Z11118	2, 3, 4	Z11581	9, 12, 13, 21, 22, 25
MG43/63k	6	Z11119	2, 3	Z11595	9, 12, 13, 21, 22, 25
MG43/401	28, 49	Z11121	2	Z11597	9, 12, 13, 21, 22, 25
MG43/402	9, 10, 11, 12, 21, 22, 28, 49	Z11122	2	Z11598	9, 12, 21, 22
MG43/403	10, 11, 28, 40, 42, 49, 50, 51, 57, 61, 65, 66, 67, 70	Z11123	2	Z115141	9
MG43/404	10, 11, 28, 40, 42, 49, 50, 51, 57, 61, 65, 66, 70	Z11134	2	Z115201	9
MG43/408	7, 8, 9, 12, 13, 20, 21, 22, 25, 27, 51, 52, 57, 61, 65, 67, 70	Z11137	2	Z115401	12
MG43/409	10, 11, 15, 26, 28, 40, 42, 49, 50	Z11151	2	Z115403	11, 12, 15, 22, 26
MG43/411	10, 11	Z11155	2	Z115408	11, 12, 15, 21, 26
MG43/412	10, 11	Z11161	2	Z115422	11, 12, 15, 22, 26
MG43/425	51	Z111141	3	Z115427	11, 12, 15, 22, 26
MG43/431	15, 26	Z111143	3, 4, 5	Z115441	13
MG43/432	15, 26	Z111149	3, 4, 5	Z115446	13, 25
MG43/2510	10, 11, 15, 21, 26, 28, 40, 42, 49, 50	Z111151	3, 4, 5	Z115447	13, 25
MG43/2521	6	Z111152	3, 4, 5	Z115448	13, 25
MG43/2611	42	Z111153	3, 4, 5	Z115511	14, 15, 24, 26
MG43/2950a	14, 24	Z111154	3, 4, 5	Z115514	14, 15, 24, 26
MG44/342	51	Z111155	3, 4, 5	Z115541	14
MG45/90	6, 10, 11, 28, 42, 49, 50	Z111156	3, 4, 5	Z115546	14, 24
NBO/1114	19	Z111157	3, 4, 5	Z115601	10
NBO61720	6, 10, 11, 28, 40, 42, 49, 50	Z111158	3, 4, 5	Z115701	11
NB311/12	28	Z111162	3, 4, 5	Z115801	15
P12153	19, 23, 26, 49, 50, 58, 61, 64, 71, 72	Z111171	3, 4	Z115901	16, 27
P12159	9, 10, 11, 12, 13, 15, 19, 22, 44, 46	Z111241	3	Z1163	17, 21, 25
P12176	2	Z111291	4	Z1164	17, 21, 25
P121110	7	Z111293	4	Z11612	17, 18, 21, 24, 25
P121124	2, 3, 4	Z111294	4	Z11616	17, 18, 21, 24, 25
P121125	9, 12, 13, 15, 21, 22, 25, 26	Z111297	4	Z11625	17, 18, 21, 24, 25
P12515	2	Z111342	5	Z11630	17, 21, 25
P12516	2, 3, 4, 6, 42, 49	Z111347	5	Z11635	17, 21, 25
P12519	2	Z111377	5	Z11638	17, 21, 25
TG42/73	51, 57, 61, 65, 66, 67, 70	Z111501	8	Z11641k	17, 18, 19, 21, 23, 24, 25, 26
Z100153	51	Z111504	8	Z11641a	17, 18, 19, 21, 23, 24, 25, 26
Z100156	51, 57, 61, 65, 66, 67, 70	Z111505	8	Z11647	17, 18, 19, 21, 23, 24, 25, 26, 38, 44, 46, 49, 51, 52
Z100157	51, 57, 61, 65, 66, 67, 70	Z111511	8	Z11648	17, 18, 19, 21, 23, 24, 25, 26, 44, 46
Z100159	51, 57, 61, 65, 66, 67, 70	Z111516	8	Z11649	16, 20, 27, 44, 46
Z100162	51, 57, 61, 65, 66, 67, 70	Z111519	8	Z11650	17, 18, 21, 24, 25, 30, 31, 52
Z100253	51	Z111520	8	Z11651	17, 18, 21, 24, 25
Z100259	51	Z111521	8	Z11655	5, 16, 17, 18, 19, 20, 27, 37, 38, 40, 51, 52
Z100273	51	Z111525	8	Z11661	3, 4, 5, 10, 11, 16, 17, 18, 19, 20, 23, 27, 28, 37, 38, 40, 42, 49, 50, 52
Z100303	51	Z111532	8	Z11681	17
		Z111538	8	Z116122	11
		Z111541	8		
		Z111548	8		
		Z111551	8		
		Z111561	8		
		Z111562	8		
		Z111563	8		
		Z111567	8		
		Z111581	8		
		Z111582	8		
		Z111601	8		
		Z111664	8		
		Z1121868	7		
		Z113290	38, 42		
		Z1151	9, 10, 13, 14, 21, 24, 25		

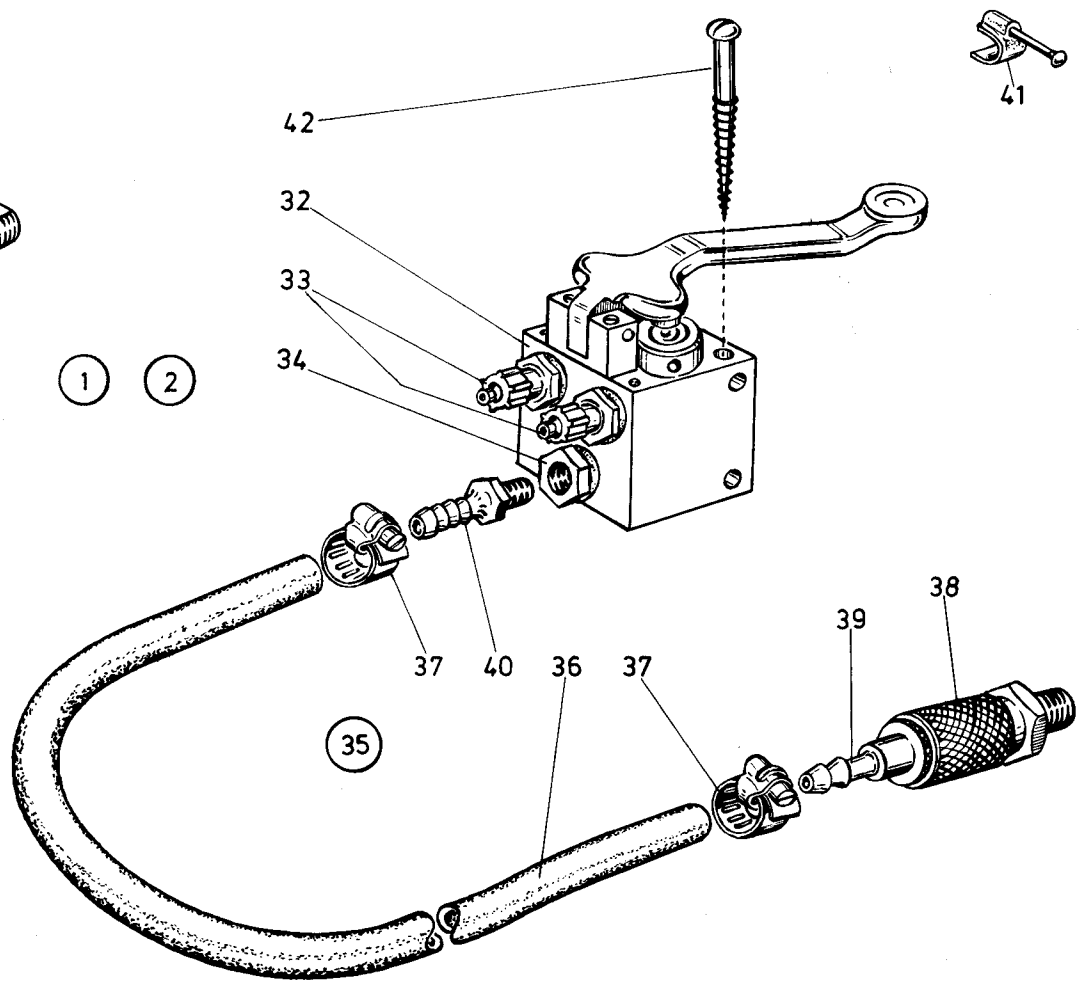
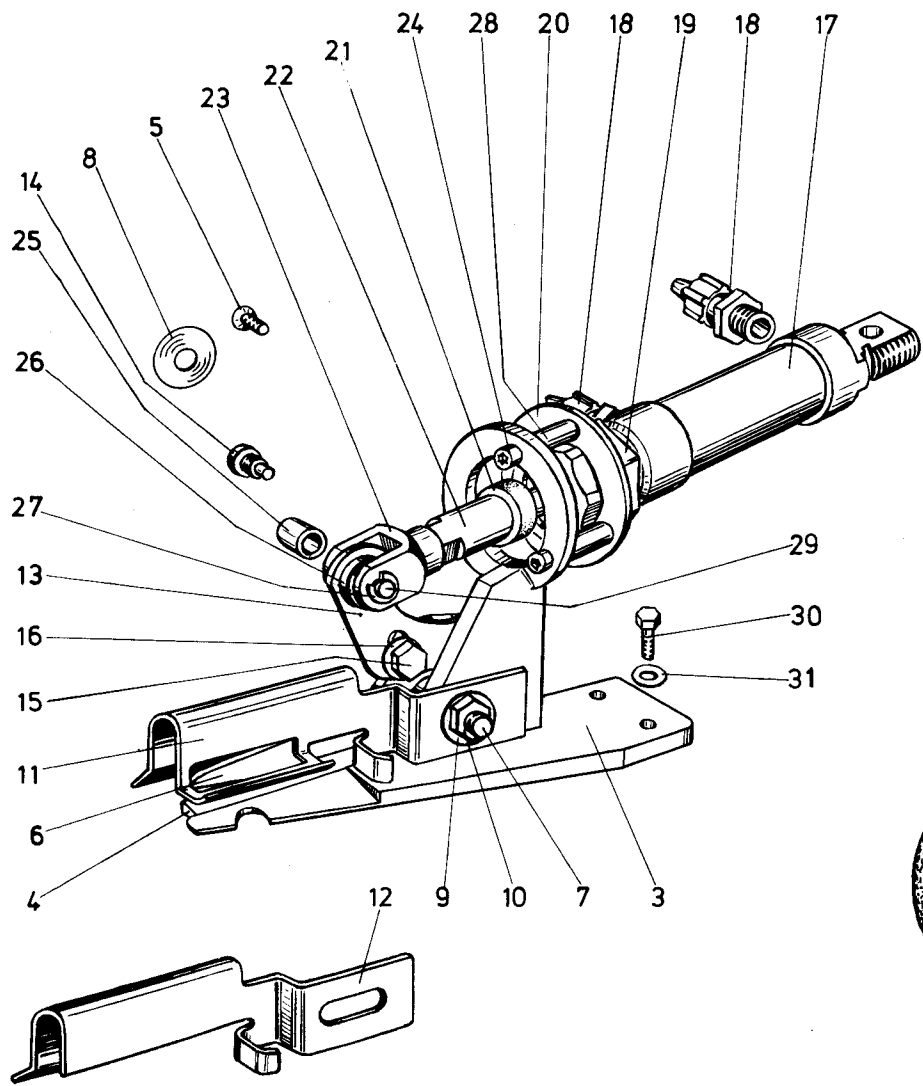
Best.-Nr.	Tafel	Best.-Nr.	Tafel	Best.-Nr.	Tafel
Z116141	17	Z120117	29, 31	Z120925	33, 34, 35, 36
Z116181	17	Z120124	29, 31, 32	Z120927	33
Z116191	17, 18, 21, 25	Z120131	29, 31	Z120929	33, 34, 35, 36, 37
Z116241	19	Z120133	29, 31	Z120931	33, 34, 35, 36, 37
Z116258	19, 23, 26	Z120135	29, 30, 31, 32	Z120937	33, 35, 36, 37
Z116292k	18, 24	Z120151	29	Z120939	33, 34, 35, 36, 37
Z116292	18, 24	Z120153	29, 31	Z120944	33, 34, 35, 36
Z116331	18	Z120158	31	Z120951	33
Z116441	18	Z120161	29	Z120955	33, 34, 35, 36
Z116701	20	Z120163	29, 30	Z1201001	34
Z116702	20	Z120163	29, 30	Z1201003	34, 35, 36, 51
Z116703a	20, 27	Z120165	29	Z1201004	34, 35, 51
Z116717	20, 27	Z120166	29, 30, 32	Z1201006	34
Z116725	20, 27	Z120169	29, 30, 32	Z1201009	34
Z116741	20, 27	Z120171	29, 30, 32	Z1201011	34, 36
Z116742	20, 27	Z120174	29, 30	Z1201021	34
Z116743	20, 27	Z120176	29, 30, 32	Z1201028	34, 36
Z116747	20, 27	Z120178	29, 30, 32	Z1201071	34
Z116751	20, 27	Z120191	29	Z1201101	34
Z116761	20, 27	Z120193	29, 32	Z1201105	34
Z116771	20	Z120194	29, 31	Z1201141	34
Z116772	20	Z120195	29, 31, 32	Z1201181	35
Z116776	20	Z120198	29, 31	Z1201189	35
Z116778	20	Z120201	29	Z1201198	35
Z116791	20	Z120203	29, 30, 31, 32	Z1201207	35
Z116793	20, 37	Z120206	29	Z1201241	35
Z116801	20	Z120207	29, 30, 31, 32	Z1201242	35
Z116803	20	Z120208	29, 30	Z1201301	36
Z116841	20	Z120209	30	Z1201304	36
Z116842	20	Z120221	32	Z1201306a	36
Z116871	20, 27	Z120226	32	Z1201309	36
Z116872	20, 27	Z120238	32	Z1201323	36
Z116873	20, 27	Z120241	32	Z1201371	36
Z116941	20	Z120243	32	Z1201401	36
Z1161001	19	Z120276	32	Z1201403	36
Z1161018	19	Z120341	30	Z1201404	36
Z1161155	43	Z120347	30	Z1201406a	36
Z11731k	21	Z120348	30	Z1201421	36
Z117126	17, 18, 19, 21, 23, 24, 25, 26	Z120349	30, 31	Z1201471	36
Z116191	21	Z120356	30, 31, 37	Z1201501	37
Z116231	21	Z120358	30, 31	Z1201504	37
Z116281	21	Z120362	31, 44	Z1201506	37
Z116341	22	Z120401	30	Z1201518	37
Z116561	25	Z120427	30	Z1201524	37
Z116571	25	Z120491	31	Z1201526	37
Z116581	25	Z120507	31	Z1201527	37
Z116591	25	Z120508	31	Z1201551	37
Z116941	26	Z120601	31	Z1201552	37
Z1161105	25	Z120627	31	Z1201553	37
Z1161108	25	Z120701	32	Z1201554	37
Z1161110	25	Z120702	32	Z1201556	37
Z1161291	24	Z120706	32	Z1201559	37
Z1161305	18, 24	Z120709	32	Z1201601	37
Z1161391	24	Z120712	32	Z1201606	37
Z1161601	27	Z120715	32	Z1201612	37
Z1161701	27	Z120718	32	Z1201631	37
Z1161801	27	Z120723	32	Z1201636	37
Z11816	19, 23, 26	Z120726	32	Z1201637	37
Z118198	59	Z120801	32	Z1201647	37
Z118201	59	Z120806	32	Z1201648	37
Z118635	19	Z120823	32	Z1202101	37
Z119101	28	Z120826	32	Z1202105	38
Z119102	28	Z120901	32	Z1202110	38
Z119201	28	Z120903	33	Z1202111	38
Z120101	29	Z120904	33	Z1202112	38
Z120103	29, 31	Z120906a	33, 35	Z1202131	38
Z120106	29, 30, 31, 32	Z120909	33, 36, 37	Z1202201	38
Z120111	29	Z120914	33, 34, 36, 37	Z1202203	38
Z120112	29, 30, 31, 32	Z120915	33, 34, 35, 36, 37	Z1202251	38
		Z120917	33, 34, 35, 36, 37	Z1202253	38

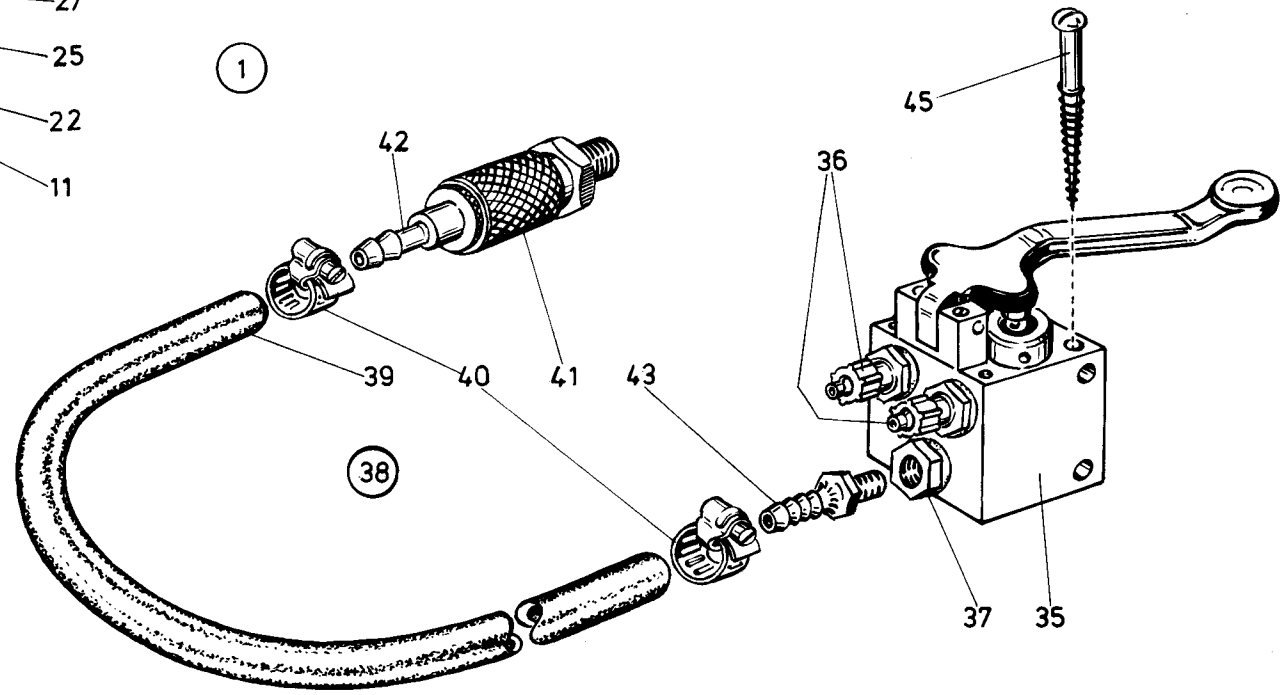
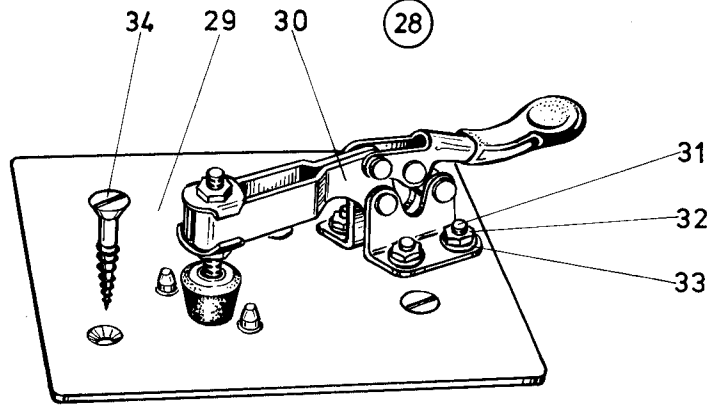
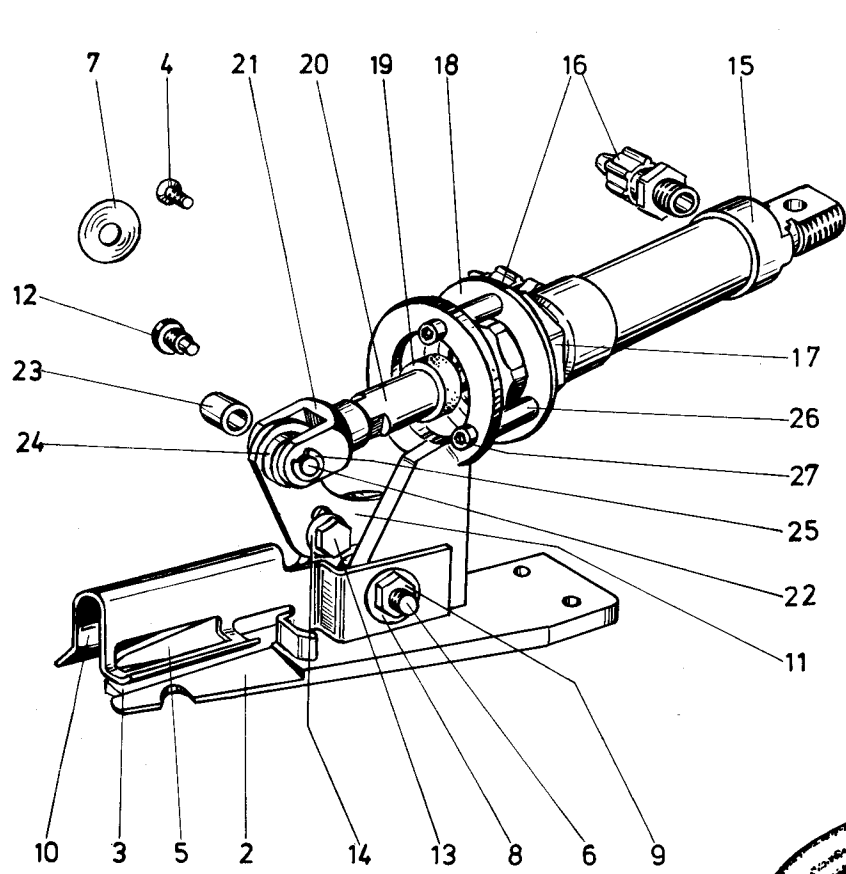
Best.-Nr.	Tafel	Best.-Nr.	Tafel	Best.-Nr.	Tafel
Z1202301	38	Z127425	43	Z132906	52
Z1202302	38	Z127427	43	Z1321001	51
Z1202314	38	Z127443	44, 46	Z1321002	51
Z123101k	39	Z127454	44, 46	Z1321004	51
Z123101	39	Z127471	44	Z1321006	51
Z123106	39	Z127474	44, 46	Z1321008	51
Z123113	39	Z127476	44, 46	Z1321009	51
Z123116	39	Z127543	44, 46	Z1301049	51
Z123121	39	Z127571	44, 46	Z1321058	51
Z123122	39	Z127581	44, 46	Z1321101	51
Z123125	39	Z127591	44	Z1321102	51
Z123146	39	Z127661	44, 45	Z1321103	51
Z123150	39	Z127686	44	Z1321108	51
Z123201	39	Z127762	14, 15, 24, 26	Z1321114	51
Z123202	39	Z127771	44	Z1321116	51
Z123205	39	Z127822	45	Z1321117	51
Z123206	39	Z127828	45	Z1321201	52
Z123207	39	Z127841	45	Z1321203	52
Z123210	39	Z127850	45	Z1321205	52
Z123251	39	Z127855	45	Z1321209	52
Z124101	40	Z127856	45	Z1321224	52
Z124103	40	Z127871	45	Z133101	56
Z123111	8, 40	Z127881	45	Z133103	53, 54, 55, 56
Z123116	40	Z127891	45	Z133191	53
Z123124	40	Z127919	46	Z133199	53
Z123127	40	Z127922	46	Z133200	53
Z125101	41	Z127931	46	Z133231	54
Z125102	41	Z1271041	46	Z133238	54
Z125103	41	Z1271101	46	Z133242	54, 55
Z125108	41	Z1271136	46	Z133271	55
Z125111	41	Z1271181	46	Z151109	57, 58, 69, 70, 71, 72
Z125114	41	Z1291	47	Z151110	57, 58, 69, 70, 71, 72
Z125115	41	Z1295	47	Z151111	57, 58, 69, 70, 71
Z125116k	41	Z12911	47	Z151114	58
Z125117	41	Z12935	47	Z151131	58, 62, 63, 64, 68, 69, 71
Z125118	20, 27, 33, 34, 35, 36, 41	Z1301	48	Z151135	58, 62, 63, 64, 68, 69, 71
Z125120	41	Z1306	48	Z151136	72
Z125124	41	Z1308	48	Z151137	72
Z125131	41	Z1309	48	Z151151	58
Z125135	41	Z13013	48	Z151160	58, 62, 71
Z126101	42	Z13019	48	Z151161	58, 62
Z126107	42	Z13031	48	Z151201	59
Z126122k	42, 50	Z13032	48	Z151203	59
Z126122	6, 10, 28, 49	Z13041	48	Z151231	59
Z126141	6, 10, 11, 28, 42, 49, 50	Z13045	48, 59	Z151241	59
Z126145	6, 10, 11, 28, 42, 49, 50	Z132102	49	Z151243	59
Z126148	6, 10, 11, 28, 42, 49, 50	Z132191	49	Z151251	59
Z126151	10, 11, 42, 49, 50	Z132491k	49	Z151256	59
Z126152	10, 11, 42, 49, 50, 51	Z132491	49	Z151288	60
Z126181	42	Z132510	49	Z151294	60
Z126241	42	Z132531	49	Z151296	60
Z127307k	43, 45	Z132532	49	Z151302	9, 12, 20, 21, 22, 27, 33, 34, 35, 36, 38, 40, 42, 44, 46, 47
Z127310	43, 45	Z132548	49	Z151340	58, 62, 63, 68, 69, 71
Z127313	43, 45	Z132591	49	Z151357	58, 68, 69, 71
Z127325	43	Z132607	49	Z151371	58, 62, 68, 69, 71
Z127344	43	Z132611	49	Z151375	58, 62, 68, 69, 71
Z127346	43	Z132621	49	Z151471	57
Z127351	43	Z132641	49	Z151492	57, 58, 72
Z127353	43, 45	Z132653	49	Z151541	57
Z127354	43, 45	Z132656	49	Z151544	57, 58
Z127363	43, 45	Z132691	50	Z151571	58
Z127367	43	Z132694	50	Z151601	61, 62, 63, 64
Z127368	43	Z132697	50	Z151604	61, 62, 63, 64
Z127406	43, 45	Z132701	50	Z151611	61, 62, 63, 64
Z127411	43	Z132741	50	Z151615	61, 62, 63, 64
Z127413	43, 45	Z132742	50	Z151618	61, 62, 63, 64
Z127415	43, 45	Z132803	50	Z151622	61, 62, 63, 64
Z127417	43, 45	Z132863	50	Z151623	61, 62, 63, 64
Z127419	43, 45	Z132901	52		
Z127424	43	Z132902	52		

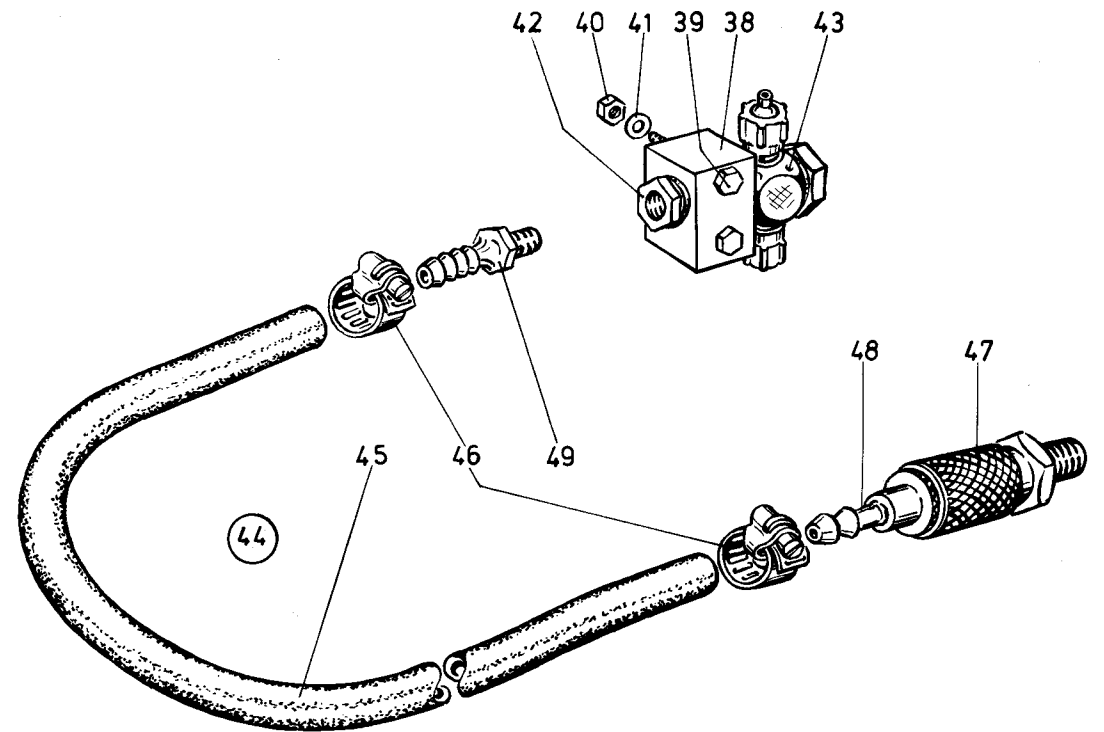
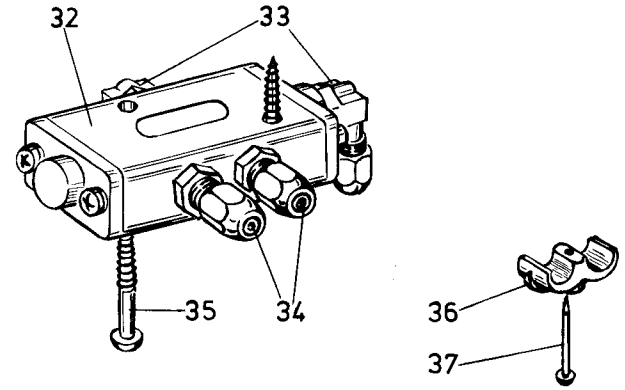
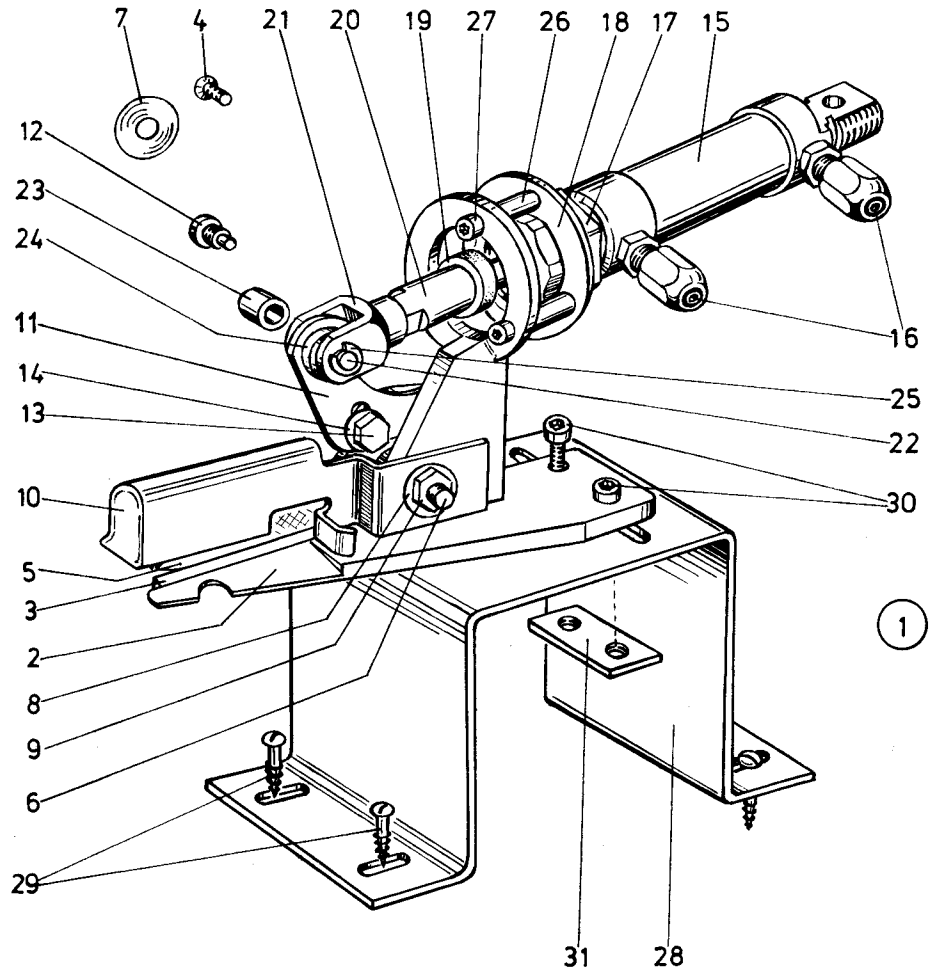
Best.-Nr.	Tafel	Best.-Nr.	Tafel	Best.-Nr.	Tafel
Z151626	61, 62, 63, 64	014140	69, 71	21256838a	54, 55
Z151627	61, 62, 63, 64	021247b	8	213370	11, 12, 15, 20, 22, 26, 27, 29, 31, 32, 42, 46
Z151629	61, 62, 63, 64	021359b	4	2132010	17, 21, 25
Z151634	61, 62, 63, 64	024275	2, 3, 4, 5, 8, 29, 31, 32, 37, 42, 45, 48, 50, 53, 54, 55, 62, 64, 65, 66, 69, 71	2132038	20, 27, 30, 31, 39
Z151642	61, 62, 63, 64			21628	38
Z151643	61, 62, 63, 64			21643	17, 21, 25
Z151670	61, 62, 63, 64	04378	19, 23, 26	21646	9, 12, 13, 21, 22, 25, 32, 40
Z151691	62	052360	6, 49		
Z151699	63	052361	6, 49	21668	52
Z151711	61	055147	17, 18, 21, 25	21688	8, 9, 13, 21, 23, 25, 29, 32, 49
Z151751	64	147203	8, 57, 58, 69, 70, 71, 72	21698	20, 27, 32, 36, 37, 38
Z151811	63	202704	9, 12, 13, 21, 22, 25, 31, 50, 51, 52, 58, 59, 62, 63, 68, 69, 71	216103	17, 18, 21, 24, 25
Z151827	58, 62, 68, 69, 71			216120	2, 30, 31, 51, 57, 61, 62, 65, 66, 67, 68, 70
Z151830	58, 68, 69, 71	202708	37, 39, 43	216123	8, 14, 19, 24, 43, 45, 48, 64
Z151831a	58, 62, 63, 68, 69, 71	20442	33	216211	61, 62, 63, 64
Z151844	58, 62, 63, 69, 71	21113	20, 27, 34, 35, 36	216216	8
Z151845	63	21117	57, 58	216229	37
Z151846	58, 62, 68, 69, 71	21131	20, 27	216354	33, 34, 35, 36
Z151848a	58, 69, 71	21163	4	216359	9, 12, 13, 21, 22, 25
Z151901	60	21100a	9, 12, 13, 20, 21, 22, 25, 27, 40, 51	216377	11, 12, 15, 17, 21, 22, 24, 25, 26
Z151941	60			216378	37
Z151951	60	211198	37, 39	216406	17, 18, 21, 25
Z151952	60	211242	10	216471	29, 30, 31, 53, 54, 55
Z151954	60	211245	40	216508	50
Z151992	65, 66, 67, 68	211256	69, 71	216542	2, 3, 4, 5
Z151997	65, 66, 67, 68	211373	43, 45	216589	17, 18, 19, 21, 23, 24, 25, 26
Z1511041	65	211496	38	216601	8, 40
Z1511042	65	211538	10	216660	52
Z1511045	65	211567	57, 58	216775	38
Z1511047	40, 65, 66, 67, 68	211568	17, 18, 21, 24, 25	219353	20, 27, 59
Z1511049	65	211570	17, 18, 21, 24, 25	2194240	47
Z1511053	65	211571	17, 18, 21, 24, 25	21956308	55, 64
Z1511059	65, 66, 67, 68	211572a	17, 21, 25	22392	8
Z1511061	65	211593	10, 11	223676	32, 34, 35, 36, 51
Z1511062	65	211609	56	223700	20, 25, 27, 39, 49, 50
Z1511101	66	211612	9, 10, 11, 12, 21, 22	223723	58
Z1511102	66	211616	9, 12, 21, 22, 51	2231296	52
Z1511105	66	2111505	69, 70	2235047	56
Z1511115	66	2113011	53	225700	2, 3, 8, 43, 45
Z1511122	66	2113012	69	231454	8
Z1511123	66	2113016	50, 62, 63, 65, 66, 67	237202	4, 16, 20, 27, 43, 45, 58, 62, 63, 69, 71
Z1511151	67	2113027	8, 50	237624	39
Z1511152	67, 68	2113093	53, 54, 55	23810073	49, 51
Z1511155	67, 68	2115647	69, 70	23810281	19, 23, 26
Z1511160	66, 67, 68	2119543	3, 4, 5	23810356	19, 23, 26
Z1511165	67, 68	2119700	28, 48	20310465	59
Z1511172	67, 68	21110801	15, 26, 40	20310476	59
Z1511173	67, 68	21110816	13	20310535	41
Z1511201	67	21110821	13	2401129	47, 48, 59
Z1511209	67	21110824	13	2401265	57, 58
Z1511217	67	21110832	9, 12, 21, 22	2401282	49
Z1511218	67	21154023	20, 27	24411523	70, 71
Z1511501	68	21154075	20, 27, 61, 62, 63, 64	24414172	33, 34, 35, 36
Z1511509	68	21154215	20	24414174	33, 34, 35, 36
Z1511534	68	21154241	20, 27	24414175	33, 34, 35, 36
Z1511591	69	21154245	20, 27	24414177	33, 34, 35, 36
Z1511595	69, 70, 71	21154246	20, 27	24414183	33, 34, 35, 36
Z1511601	69, 70, 71	21154247	20, 27	24414547	20, 27
Z1511605	57, 69, 70, 71, 72	21154248	20, 27	24414571	20, 27
Z1511611	69	21154671	20, 27	24414578	16, 27
Z1511701	70	21155408	53	24414595	16, 27
Z1511801	70	21267	19, 23, 26	24414602	16, 27
Z1511901	71	212297	29, 30, 31, 32, 50	24414605	16, 27
Z1511991	71	212549	17, 18, 21, 24, 25	24414607	16, 27
Z1512011	71	2123011	50, 54, 55		
Z1512101	70	2123012	58, 71		
Z1512141	72	2125412	17, 18, 21, 25		
Z1512161	72	21250771	70, 71		
Z1512171	72	21255712	20, 27		
01275	19, 23, 26				

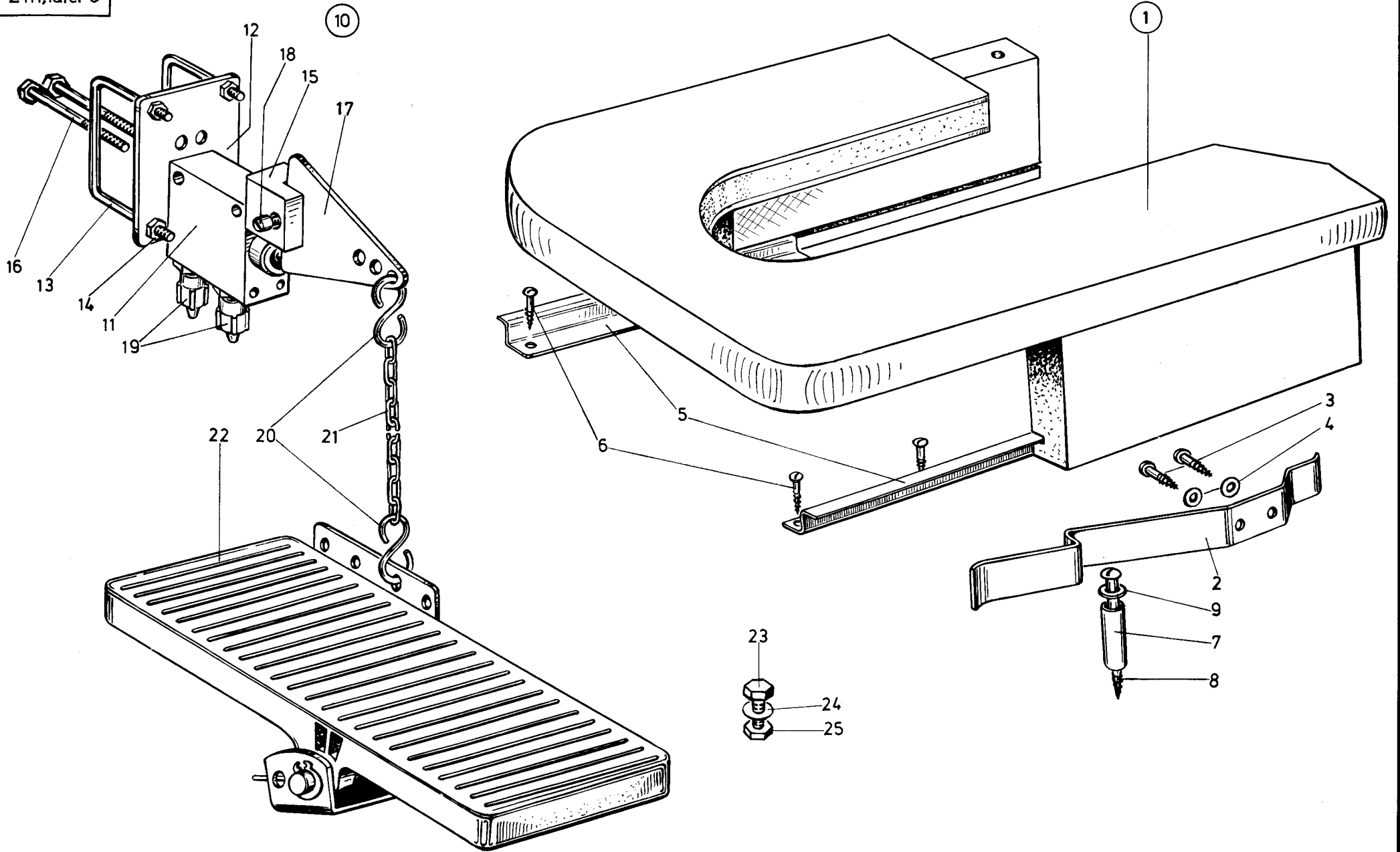


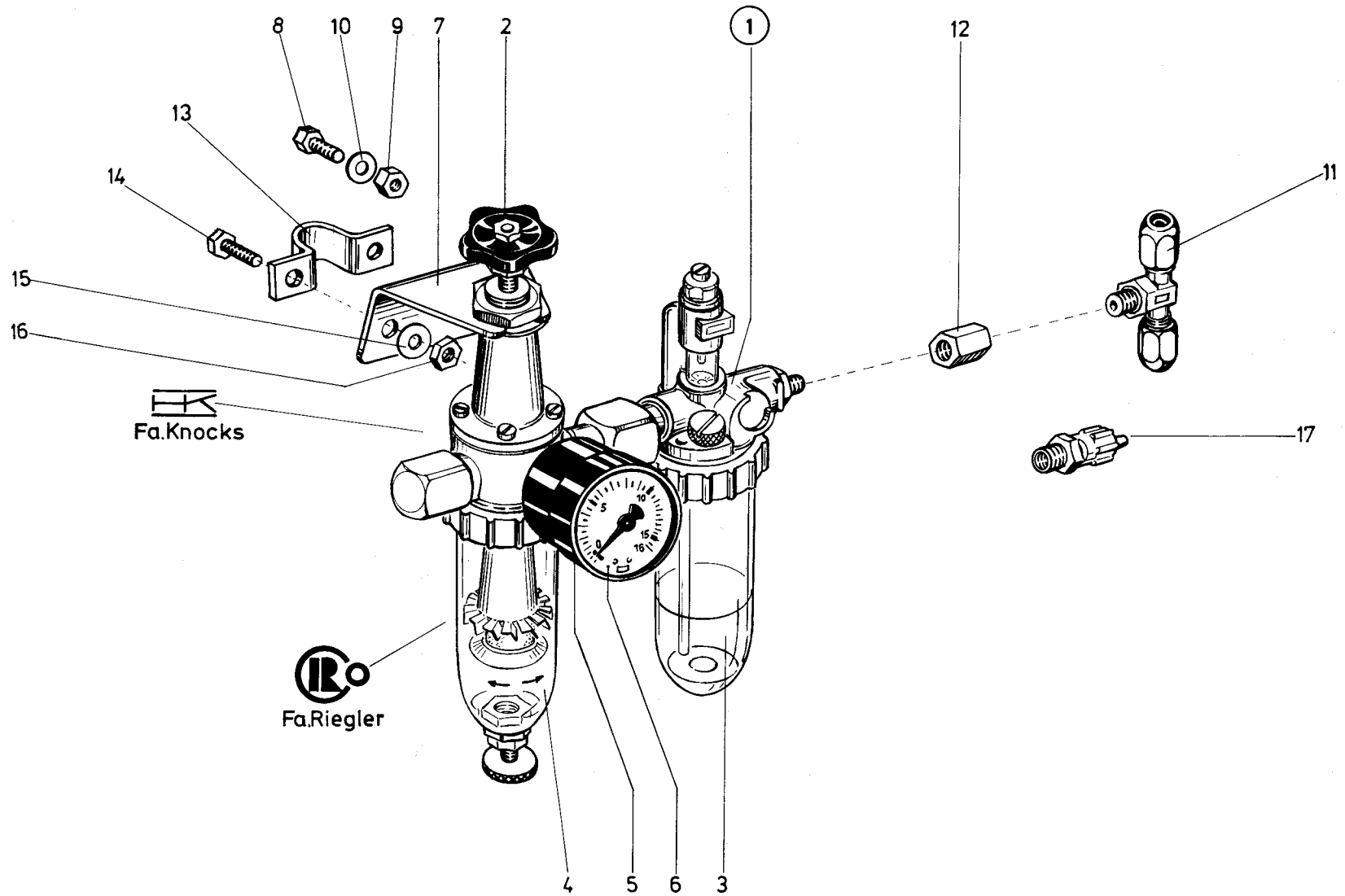


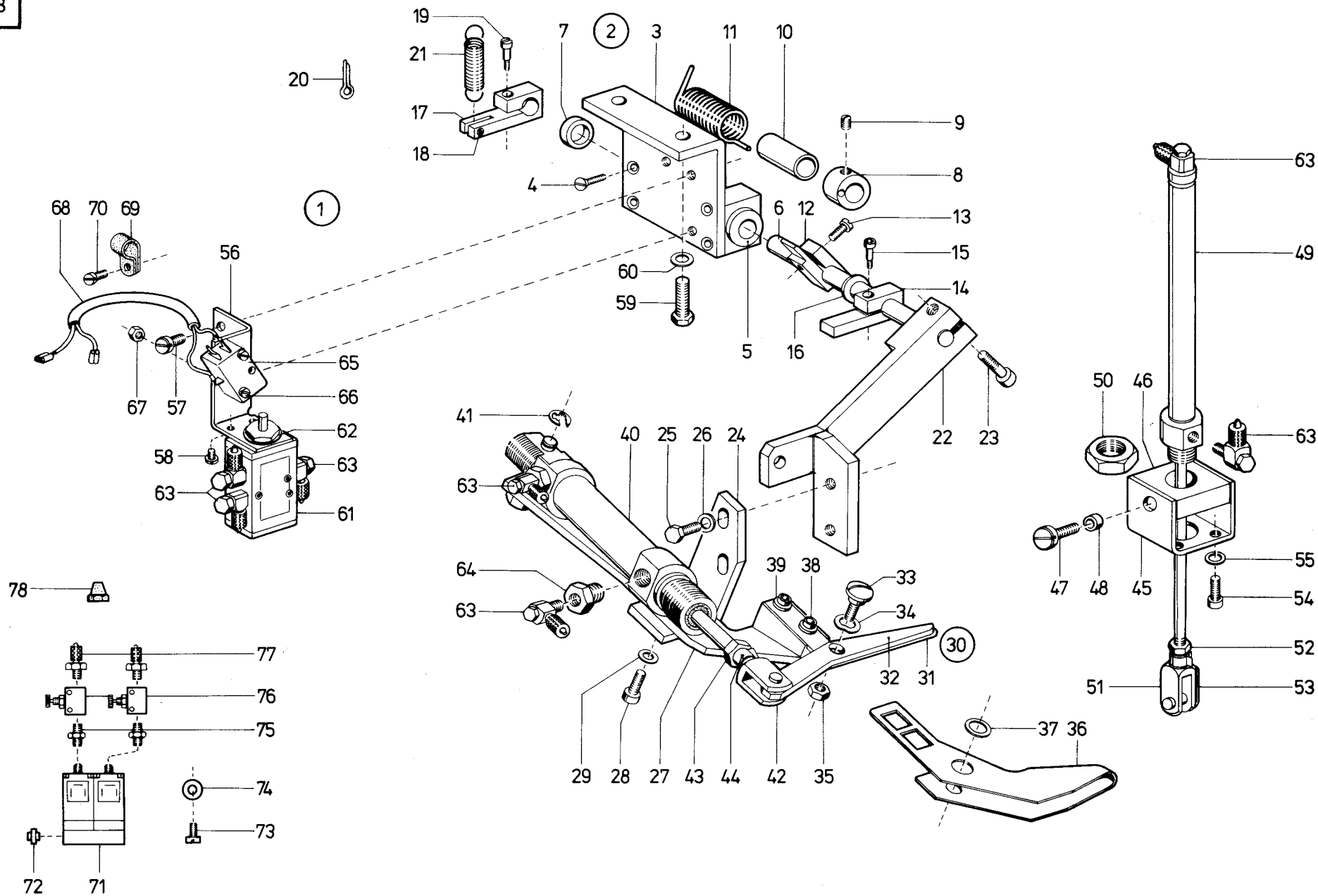




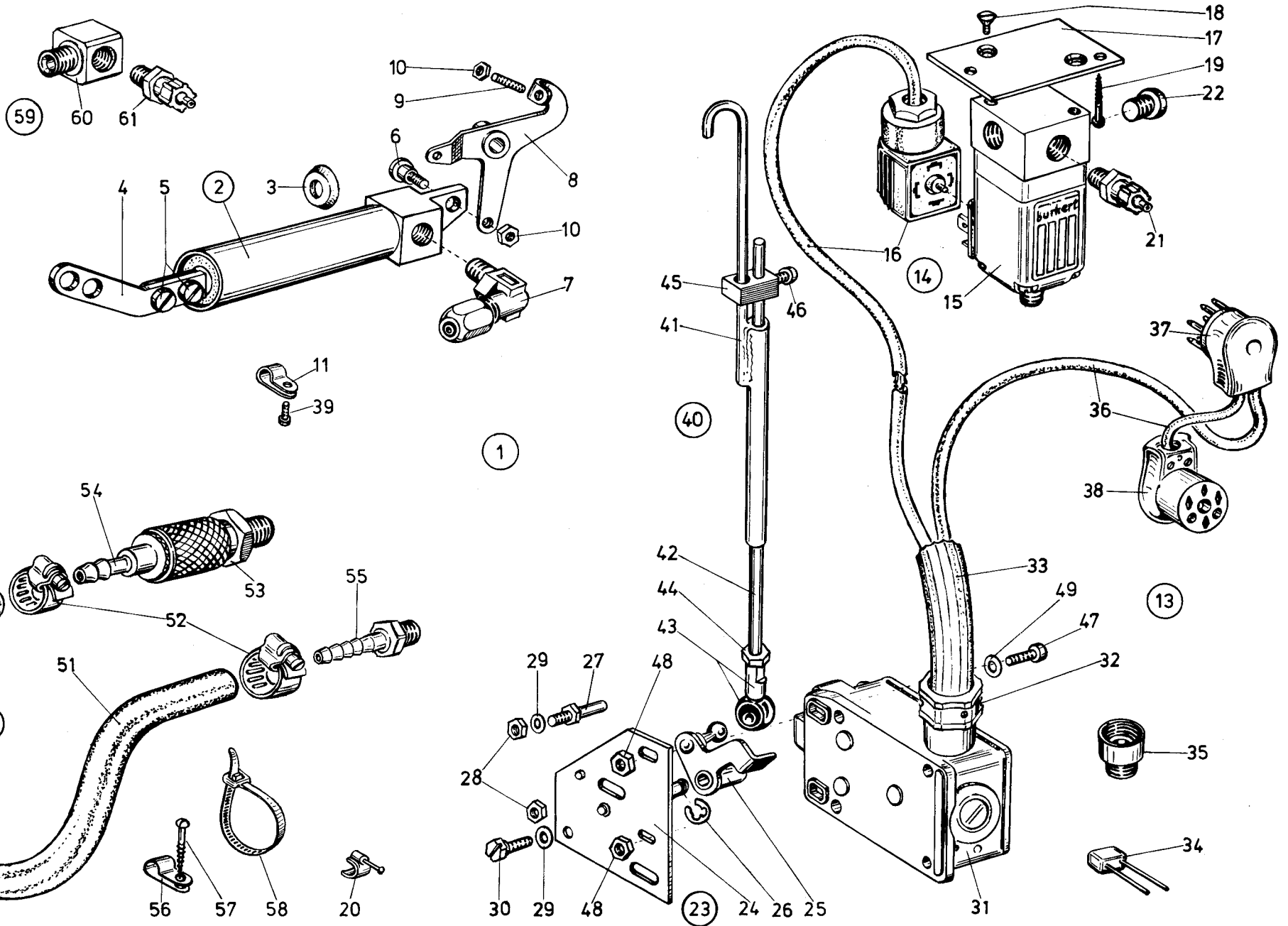








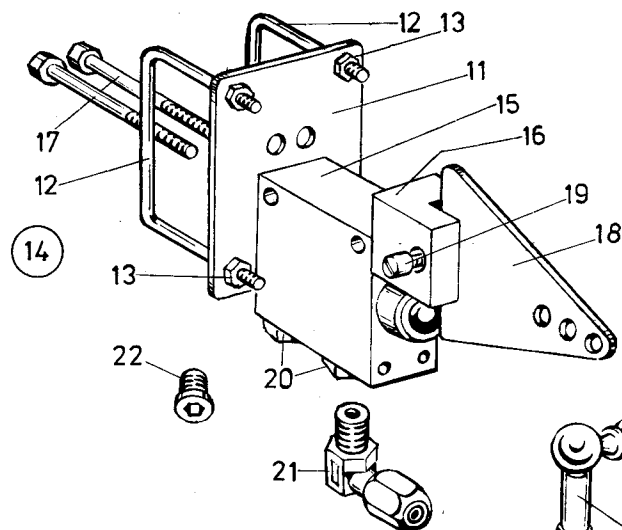
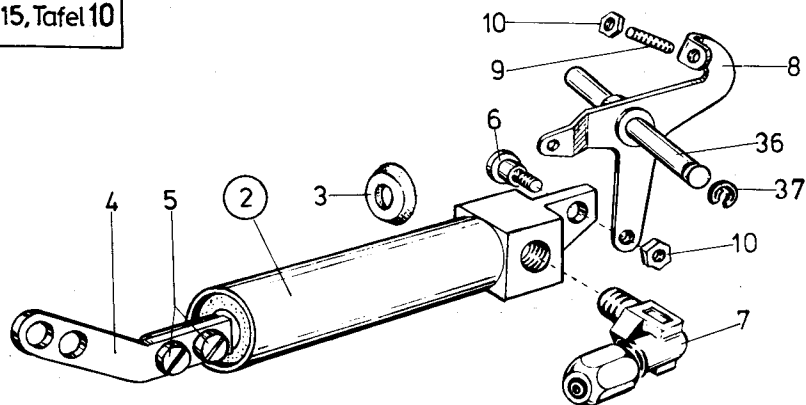
Pos. Det.	Teile Nr. Part No.	Benennung	Denomination	Pos. Det.	Teile Nr. Part No.	Benennung	Denomination	Pos. Det.	Teile Nr. Part No.	Benennung	Denomination
Z111-238											
1	Z111501	Bandschere kpl. (best. aus Pos. 2 bis 78)	Band scissors cpl. (consist. of pos. 2 up to 78)	32	Z111563	Schere	A pair of scissors	75	7441819	Doppelnippel	Double nipple
2	Z111504	Lagerbock kpl. (best. aus Pos. 3 bis 5)	Pillow block cpl. (consist. of pos. 3 up to 5)	33	5512537	Ansatzschraube	Shoulder screw	76	7441820	Drosselventil	Throttle valve
3	Z111505	Winkel	Angle	34	2113027	Federscheibe	Spring washer	77	7422238	Verschraubung	Hose coupling screw
4	551987	Counterschraube	Countersunk screw	35	MG43/408	6kt.-Mutter	Hexagonal nut	78	7973191	Schalldämpfer	Silencer
5	7441744	Lager	Bearing	36	Z111567	Schutzblech	Guard plate				
6	Z111511	Welle	Shaft	37	10011153	Scheibe	Washer				
7	MG4/6	Scheibe	Washer	38	7441509	Zyl.-Schraube	Cyl. head screw				
8	Z111516	Stellring kpl. (mit Pos. 9)	Set collar cpl. (with pos. 9)	39	6972399	Scheibe	Washer				
9	147203	Gewindestift	Threaded stud	40	7971526	Zylinder	Cylinder				
10	Z111519	Buchse	Bush	41	7443142	Sicher.-Scheibe	Safety washer				
11	Z111520	Drehfeder	Torsion spring	42	Z124111	Gabelkopf	Fork head				
12	Z111521	Klemmhebel kpl. (mit Pos. 13)	Clamping lever cpl. (with pos. 13)	43	231454	6kt.-Mutter	Hexagonal nut				
13	1001360	Zyl.-Schraube	Cyl. head screw	44	74422393	ES-Bolzen	ES-bolt				
14	Z111525	Klemmhebel kpl. (mit Pos. 15)	Clamping lever cpl. (with pos. 15)	45	Z111581	Halter	Holder				
15	21688	Zyl.-Schraube	Cyl. head screw	46	Z111582	Platte	Plate				
16	216216	Scheibe	Washer	47	22392	Zyl.-Schraube	Cyl. head screw				
17	Z111532	Klemmhebel kpl. (mit Pos. 18 und 19)	Clamping lever cpl. (with pos. 18 and 19)	48	7449034	Rolle	Roll				
18	2653046	Spannstift	Dowel pin	49	7971525	Zylinder	Cylinder				
19	21688	Zyl.-Schraube	Cyl. head screw	50	5571842	6kt.-Mutter	Hexagonal nut				
20	021247b	Splint	Split pin	51	74422392	Gabelkopf	Fork head				
21	Z111538	Zugfeder	Draw spring	52	MG43/408	6kt.-Mutter	Hexagonal nut				
22	Z111541	Hebel kpl. (mit Pos. 23)	Lever cpl. (with pos. 23)	53	74422393	ES-Bolzen	ES-bolt				
23	5701392	Zyl.-Schraube	Cyl. head screw	54	570912	Zyl.-Schraube	Cyl. head screw				
24	Z111548	Winkel	Angle	55	5691895	Scheibe	Washer				
25	225700	6kt.-Schraube	Hexagonal screw	56	Z111601	Winkel	Angle				
26	024275	Scheibe	Washer	57	216601	Zyl.-Schraube	Cyl. head screw				
27	Z111551	Halter	Holder	58	70263	Zyl.-Schraube	Cyl. head screw				
28	265565	Zyl.-Schraube	Cyl. head screw	59	9424586	6kt.-Schraube	Hexagonal screw				
29	024275	Scheibe	Washer	60	557263	Scheibe	Washer				
30	Z111561	Schere kpl. (best. aus Pos. 31 bis 36)	A pair of scissors cpl. (consist. of pos. 31 up to 36)	61	79719	Wegeventil	5/2 directional control valve				
31	Z111562	Schere	A pair of scissors	62	55615076	Scheibe	Washer				
				63	746768	L-Verschraubung	L-coupling screw				
				64	Z120362	Reduziernippel	Reducing nipple				
				65	739878	Mikroschalter	Microswitch				
				66	10019162	Zyl.-Schraube	Cyl. head screw				
				67	5511824	6kt.-Mutter	Hexagonal nut				
				68	Z111664	Leitung	Cable				
				69	94210318	Schelle	Clip				
				70	10019128	Zyl.-Schraube	Cyl. head screw				
				71	797313	Magnetventil	Solenoid valve				
				72	7443572	Steckverbindung	Plug-type connector				
				73	216123	Zyl.-Schraube	Cyl. head screw				
				74	024275	Scheibe	Washer				



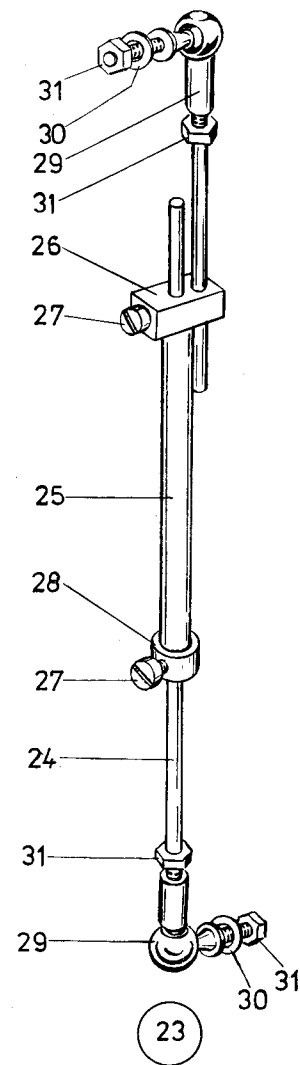
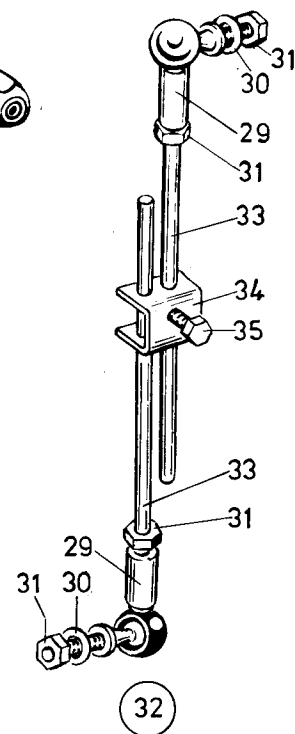
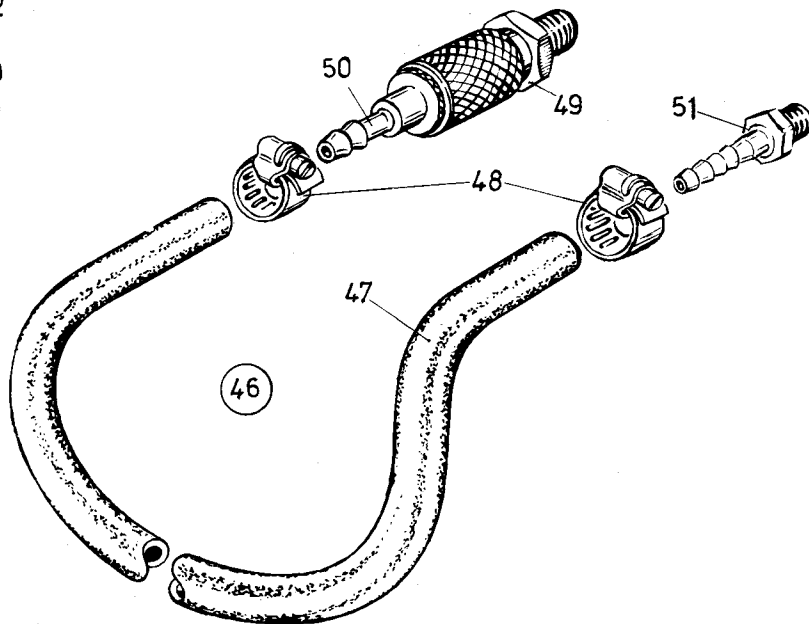
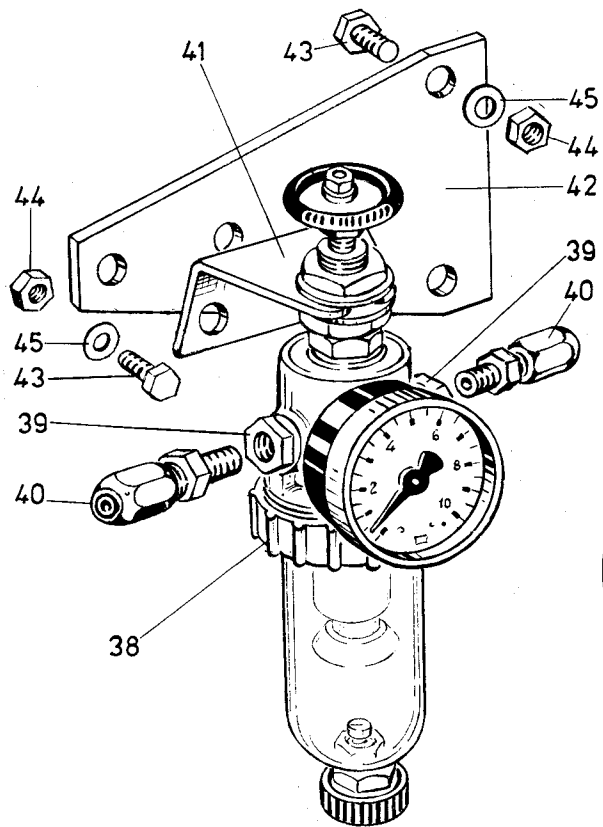
Pos. Det.	Teile Nr. Part No.	Benennung	Denomination
Z115-1, -2			
Z115-1			
1	Z115141	Elektro-pneum. Drückerfußlüftung kpl. (best. aus Pos. 2 bis 58)	Electro-pneumatic pressure controlled foot lifting cpl. (cons. of pos. 2 up to 58)
2	Z1151	Zylinder (mit Pos. 3, 4, 5, 7)	Cylinder (with pos. 3, 4, 5, 7)
3	Z1159a	Topfmanschette	Cup collar
4	Z11513	Lasche	Shackle
5	270631	Zyl.-Schraube	Cyl. head screw
6	Z11525	Ansatzschraube	Shoulder screw
7	74423556	Winkelverschr.	Square coupling screw
8	Z11521	Übertrag.-Hebel	Transmission lever
9	10019150	Gew.-Stift	Threaded stud
10	MG8/7d	6kt.-Mutter	Hexagonal nut
11	7442208	Schelle	Clip
13	Z11531k	Magnetventil kpl. (best. aus Pos. 14, 17, 18, 21, 22, 23, 31, 32, 33, 34, 35, 36)	Solenoid valve cpl. (cons. of pos. 14, 17, 18, 21, 22, 23, 31, 32, 33, 34, 35, 36)
14	Z11532a	Magnetventil (mit Pos. 15 und 16)	Solenoid valve (with pos. 15 and 16)
15	797312	Magnetventil	Solenoid valve
16	Z11581	Leitung (mit Kabelkopf)	Cable (with cable pot-head)
17	Z11533a	Platte	Plate
18	5692900	Screw	
19	MG41/1364	Holzschraube	Wood screw
20	P121125	Nagelschelle	Nail clip
21	74423566	Schl.-Verschr.	Hose coupling screw
22	P12159	Blindstopfen	Blind plug
23	Z11541k	Platte kpl. (best. aus Pos. 24, 25, 26, 27, 28, 29)	Plate cpl. (cons. of pos. 24, 25, 26, 27, 28, 29)
24	Z11541	Platte	Plate
25	Z11551	Hebel	Lever
26	211100a	Sicher.-Scheibe	Safety washer
27	216359	Gew.-Bolzen	Threaded stud
28	MG43/408	6kt.-Mutter	Hexagonal nut
29	557263	Scheibe	Washer
30	7441658	6kt.-Schraube	Hexagonal screw

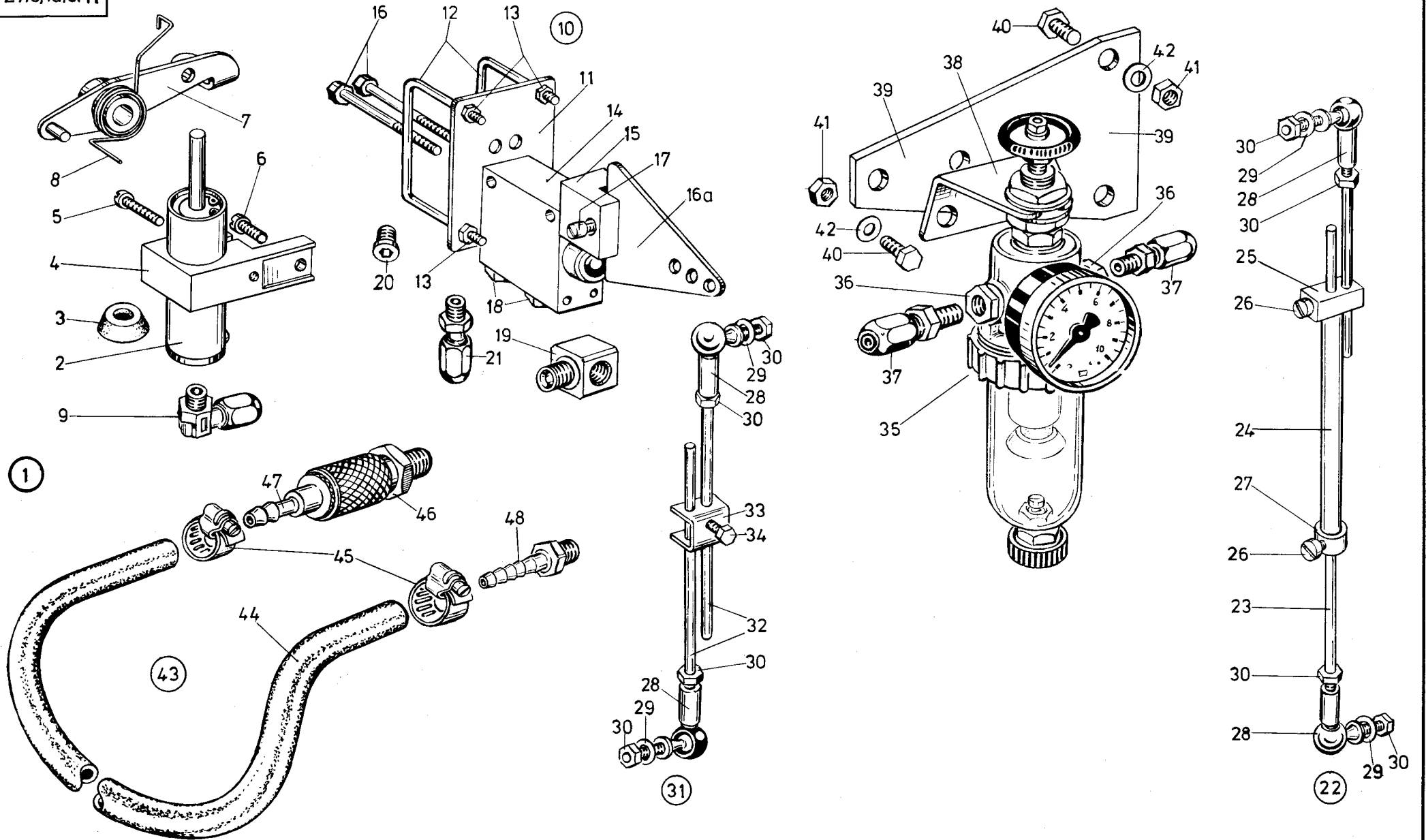
Pos. Det.	Teile Nr. Part No.	Benennung	Denomination
31	MG41/1126	Endtaster	Final touch contact
32	7421535	Druckschraube	Pressure screw
33	Z11595	Hebiflex-Schl.	Hebiflex tube
34	739311	Diode	Diode
35	Z11597	Erweiterungsst.	Enlargement piece
36	Z11598	Leitung (mit Pos. 37 und 38)	Cable (with pos. 37 and 38)
37	MG41/1124	Stecker	6-pole plug
38	739494	Kupplung	Coupling
39	21688	Zyl.-Schraube	Cyl. head screw
40	Z11561	Gestänge kpl. (best. aus Pos. 41, 42, 43, 44, 45, 46)	Rods cpl. (cons. of pos. 41, 42, 43, 44, 45, 46)
41	21110832	Gestängeführung	Rods Guidance
42	MG43/402	Stange	Rod
43	211616	Kugelpfanne	Cup
44	MG43/408	6kt.-Mutter	Hexagonal nut
45	211612	Führungsstück (mit Pos. 46)	Guide piece (with pos. 46)
46	556607	Zyl.-Schraube	Cyl. head screw
47	21646	Zyl.-Schraube	Cyl. head screw
48	202704	6kt.-Mutter	Hexagonal nut
49	5691895	Scheibe	Washer
50	72171	Anschlußschlauch kpl. (best. aus Pos. 51, 52, 53, 54, 55)	Coupling hose cpl. (cons. of pos. 51, 52, 53, 54, 55)
51	Z11577	Schlauch	Coupling hose
52	7422096	Schlauchklemme	Hose clip
53	7441793a	Schl.-Kupplung	Hose coupling screw
54	7449513	Schlauchtülle	Hose nozzle
55	Z11538	Schlauchtülle	Hose nozzle
56	94210318	Schelle	Clip
57	713302	Holzschraube	Wood screw
58	Z151302	Insulok-Kabelband	Insulok cable band

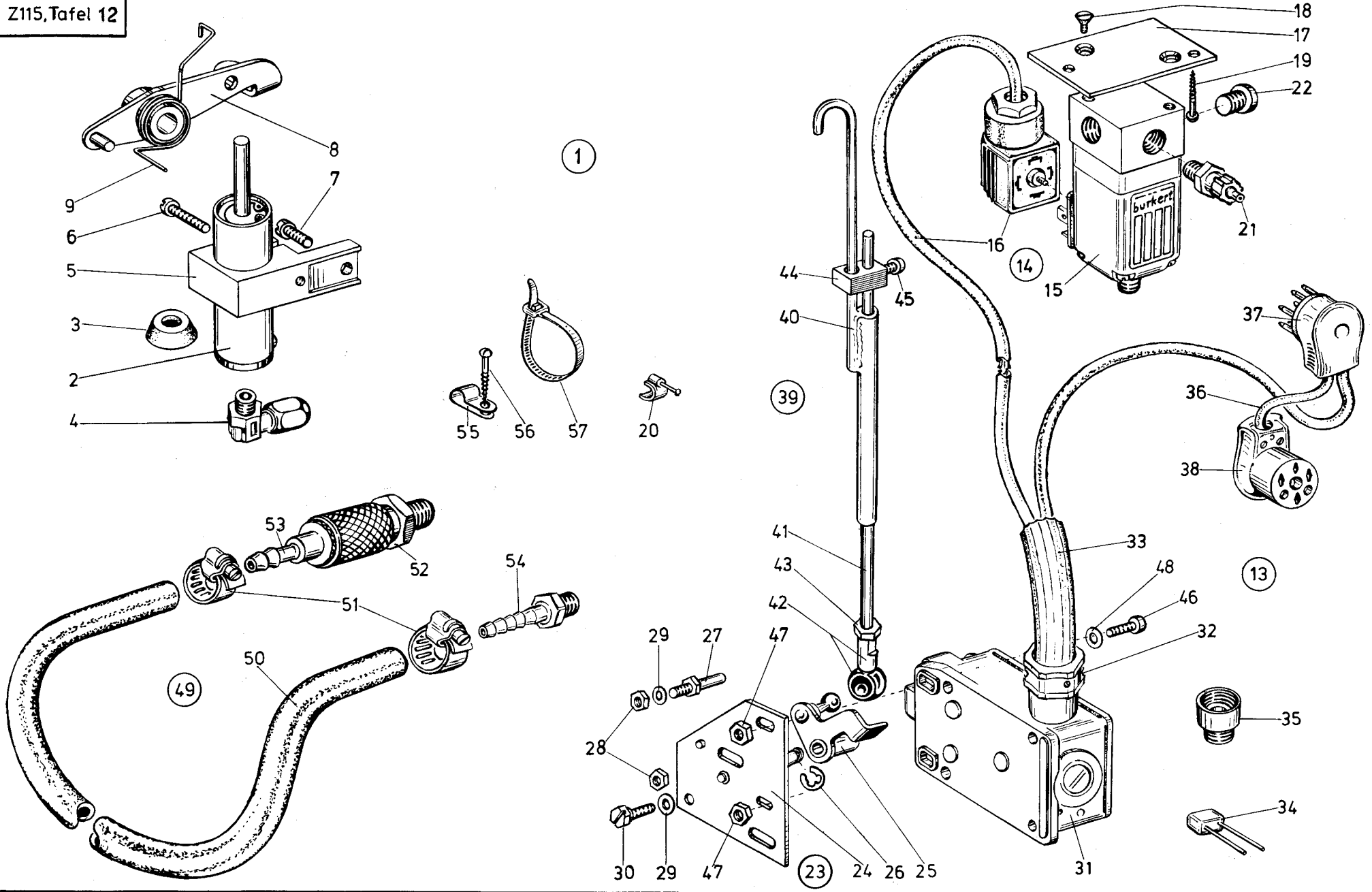
Pos. Det.	Teile Nr. Part No.	Benennung	Denomination
Z115-2			
59	Z115201	Elektronpneum. Drückerfußlüftung kpl. (best. aus Pos. 2, 3, 4, 5, 6, 7, 9, 10, 60, 61) für Kl. 942-14000	Electro-pneumatic pressure controlled foot lifting cpl. (cons. of pos. 2, 3, 4, 5, 6, 7, 9, 10, 60, 61) for Cl. 942-14000
60	7442526	Verteilerstück	Distributor
61	74423566	Schl.-Verschr.	Hose coupling screw



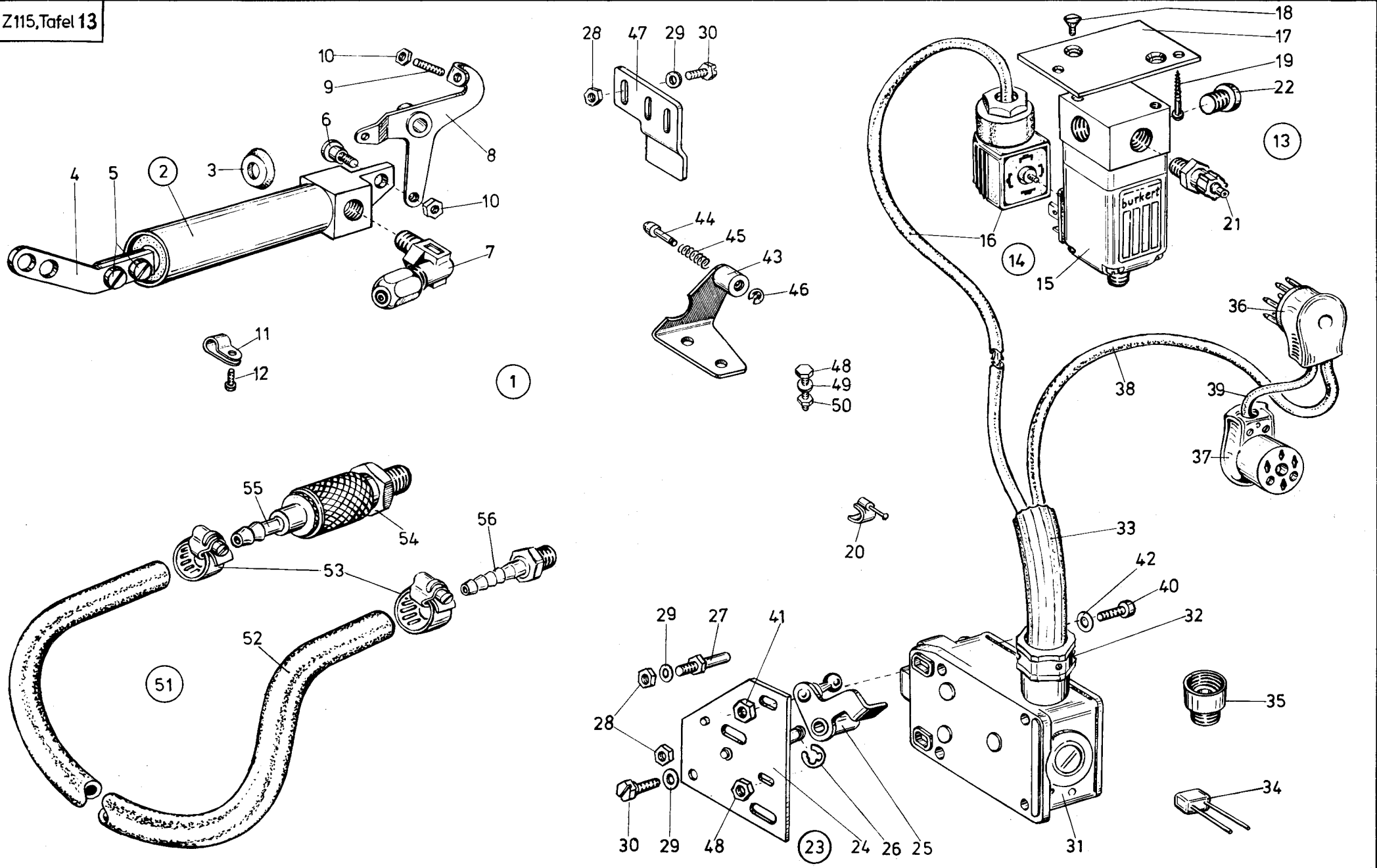
1

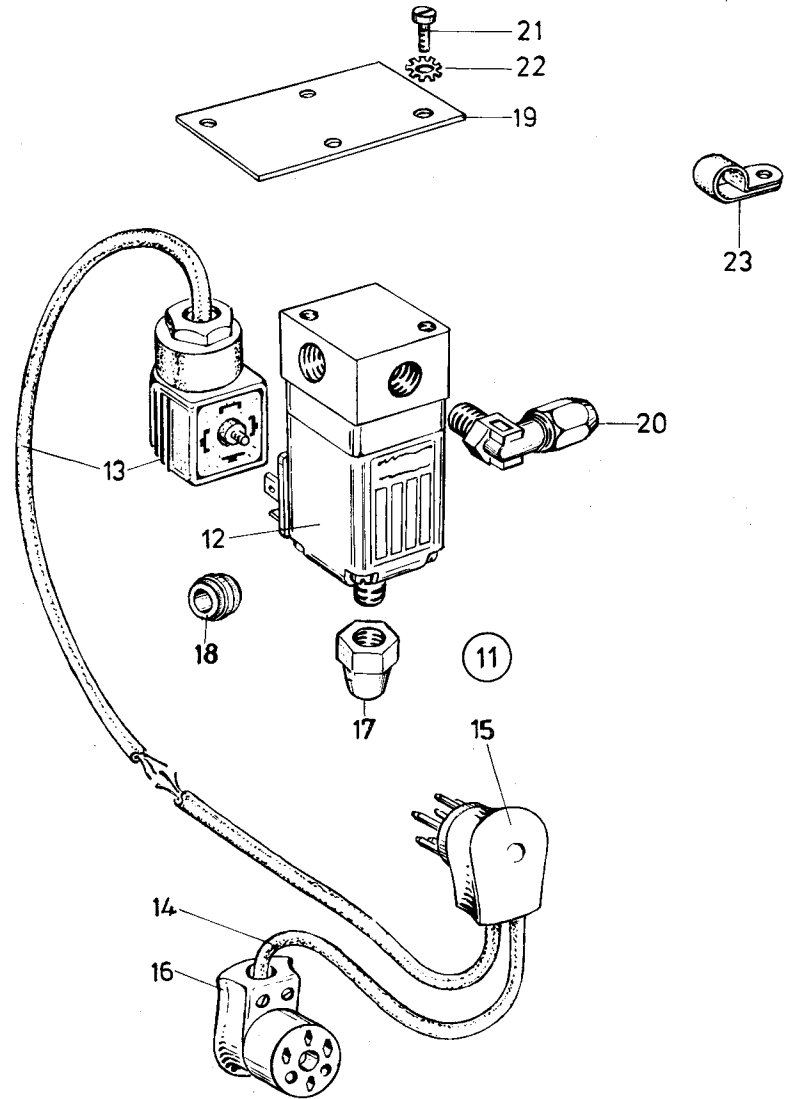
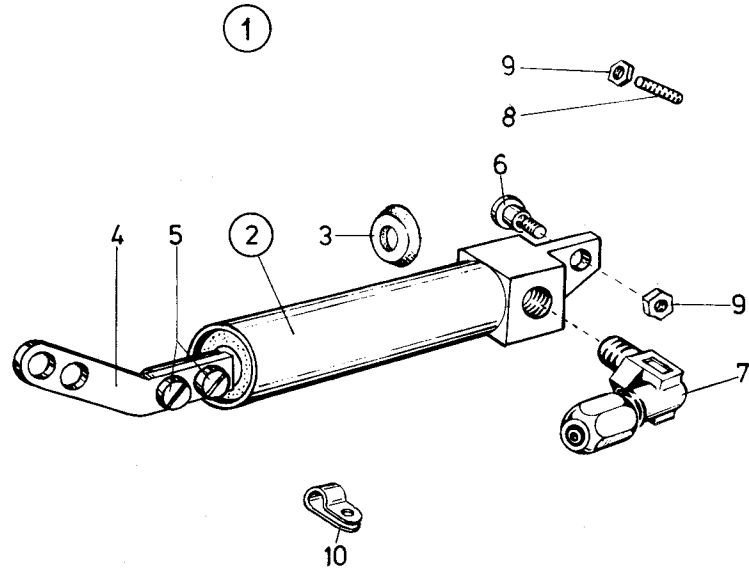


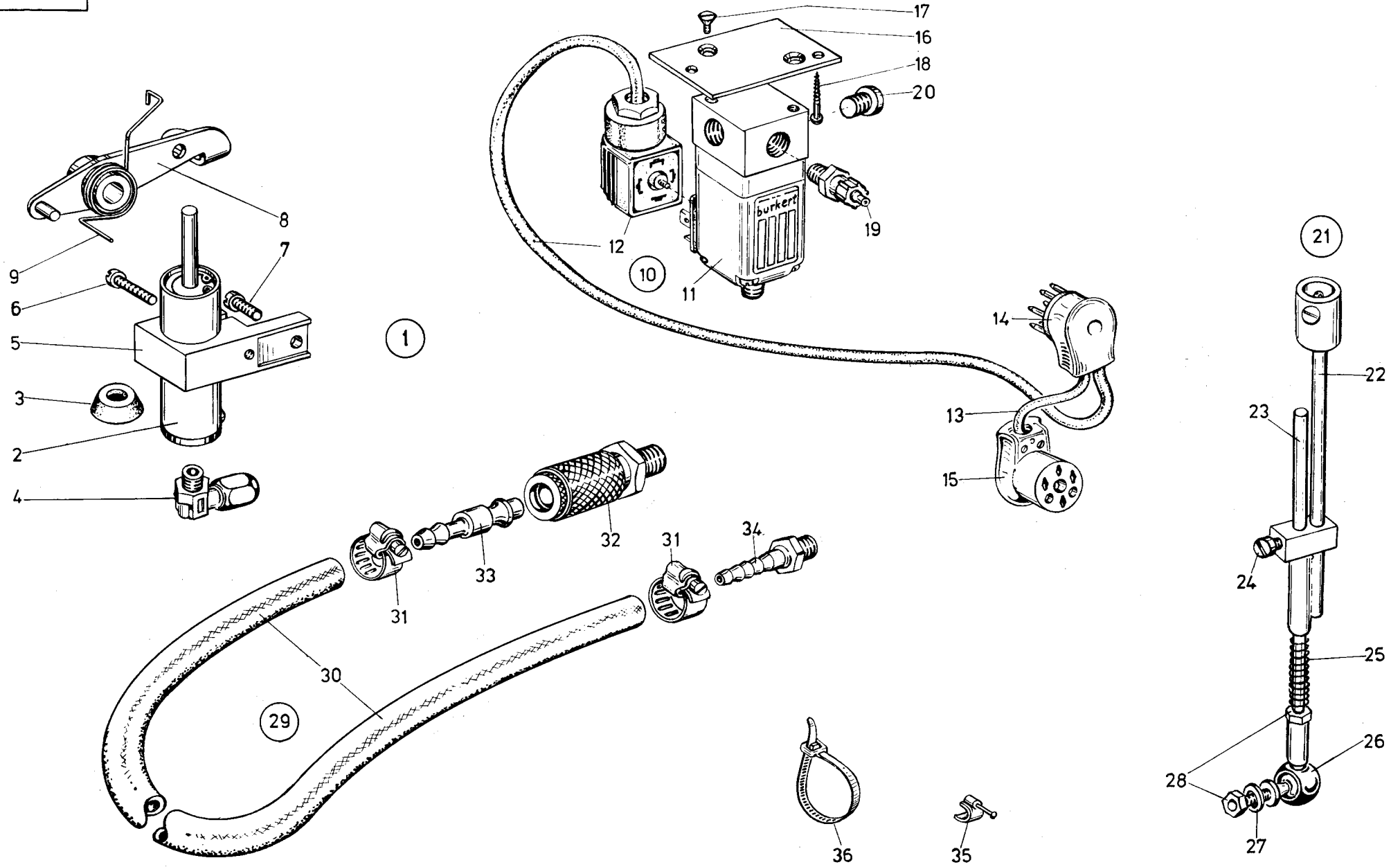


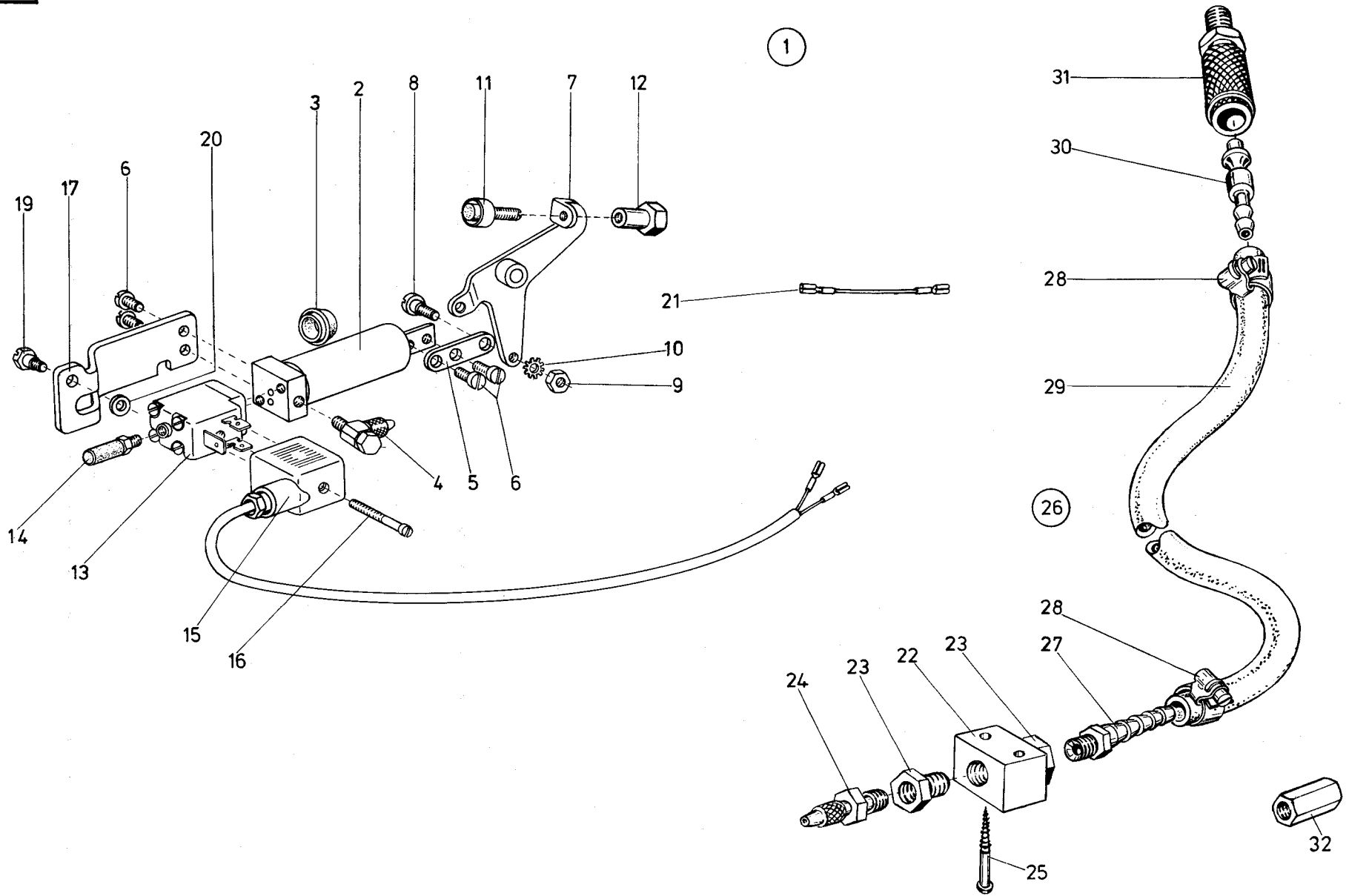


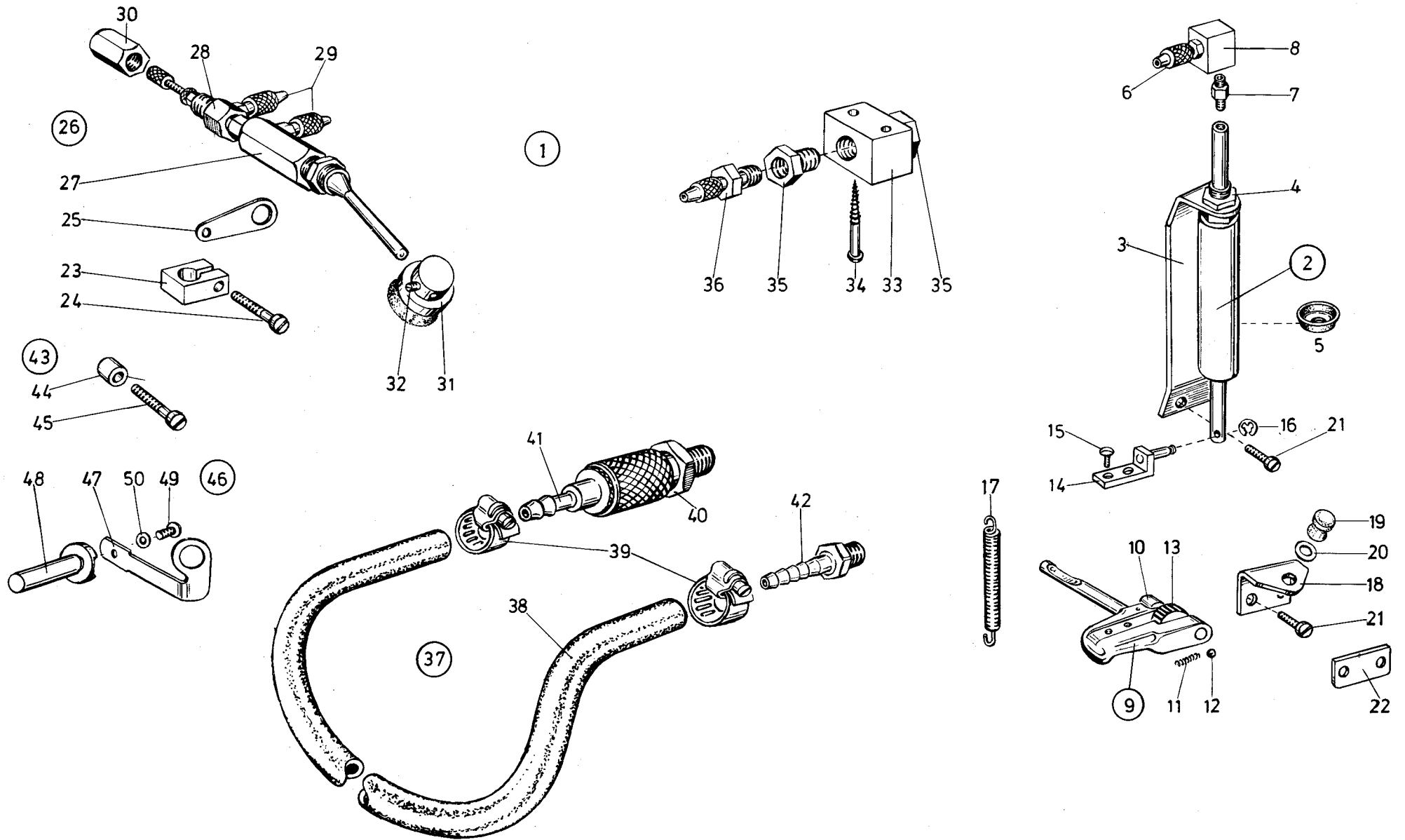
Pos. Det.	Teile Nr. Part No.	Benennung	Denomination	Pos. Det.	Teile Nr. Part No.	Benennung	Denomination	Pos. Det.	Teile Nr. Part No.	Benennung	Denomination
Z 115-21											
1	Z115401	Elektropneum. Drücker- fußlüftung kpl.	Electro-pneumatic pressure controlled foot- lifting cpl.	35	Z11597	Erweiterungsst.	Enlargement piece				
		(best. aus Pos. 2 bis 57)	(cons. of pos. 2 to 57)	36	Z11598	Leitung (mit Pos. 37 und 38)	Cable (with pos. 37 and 38)				
2	Z115403	Zylinder (mit Pos. 3)	Cylinder (with pos. 3)	37	MG41/1124	Stecker	6-pole plug				
3	Z1159a	Topfmanschette	Cup collar	38	739494	Kupplung	Coupling				
4	74423556	Schl.-Verschr.	Hose coupling screw	39	Z11561	Gestänge kpl. (best. aus Pos. 40, 41, 42, 43, 44, 45)	Rods cpl. (cons. of pos. 40, 41, 42, 43, 44, 45)				
5	Z115422	Kloben (mit Pos. 6)	Block (with pos. 6)	40	21110832	Gestängeführung	Rods guidance				
6	216377	Zyl.-Schraube	Cyl. head screw	41	MG43/402	Stange	Rod				
7	213370	Zyl.-Schraube	Cyl. head screw	42	211616	Kugelpfanne	Cup				
8	Z115427	Hebel	Lever	43	MG43/408	6kt.-Mutter	Hexagonal nut				
9	Z115408	Drehfeder	Torsion spring	44	211612	Führungsstück (mit Pos. 46)	Guide piece (with pos. 46)				
13	Z11531k	Magnetventil kpl. (best. aus Pos. 14, 17, 18, 21, 22, 23, 31, 32, 33, 34, 35, 36)	Solenoid valve cpl. (cons. of pos. 14, 17, 18, 21, 22, 23, 31, 32, 33, 34, 35, 36)	45	556607	Zyl.-Schraube	Cyl. head screw				
14	Z11532a	Magnetventil (mit Pos. 15 und 16)	Solenoid valve (with pos. 15 and 16)	46	21646	Zyl.-Schraube	Cyl. head screw				
15	797312	Magnetventil	Solenoid valve	47	202704	6kt.-Mutter	Hexagonal nut				
16	Z11581	Leitung mit Kabelkopf	Cable with cable pothead	48	5691895	Scheibe	Washer				
17	Z11533a	Platte	Plate	Z 115-21							
18	5692900	Schraube	Screw	49	72171	Anschlußschlauch kpl. (mit Pos. 50, 52, 53, 54)	Coupling hose cpl. (with pos. 50, 52, 53, 54)				
19	MG41/1364	Holzschraube	Wood screw	50	Z11577	Anschl.-Schlauch	Coupling hose				
20	P121125	Nagelschelle	Nail clip	51	7422096	Schlauchklemme	Hose clip				
21	74423556	Schl.-Verschr.	Hose coupling screw	52	7441793a	Schl.-Kupplung	Hose coupling				
22	P12159	Blindstopfen	Blind plug	53	7449513	Schlauchtülle	Hose nozzle				
23	Z11541k	Platte kpl. (best. aus Pos. 24, 25, 26, 27, 28, 29)	Plate cpl. (cons. of pos. 24, 25, 26, 27, 28, 29)	54	Z11538	Schlauchtülle	Hose nozzle				
24	Z11541	Platte	Plate	55	94210318	Schelle	Clip				
25	Z11551	Hebel	Lever	56	713302	Holzschraube	Wood screw				
26	211100a	Sicher.-Scheibe	Safety washer	57	Z151302	Insulok-Kabelband	Insulok-cable band				
27	216359	Gew.-Bolzen	Threaded bolt								
28	MG43/408	Mutter	Nut								
29	557263	Scheibe	Washer								
30	7441658	6kt.-Schraube	Hexagonal screw								
31	MG41/1126	Endtaster	Final touch contact								
32	7421535	Druckschraube	Pressure screw								
33	Z11595	Hebiflex-Schlauch	Hebiflex-tube								
34	739311	Diode	Diode								

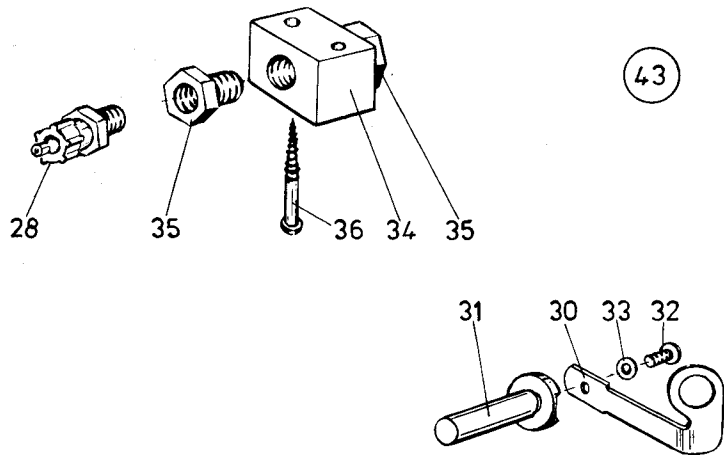
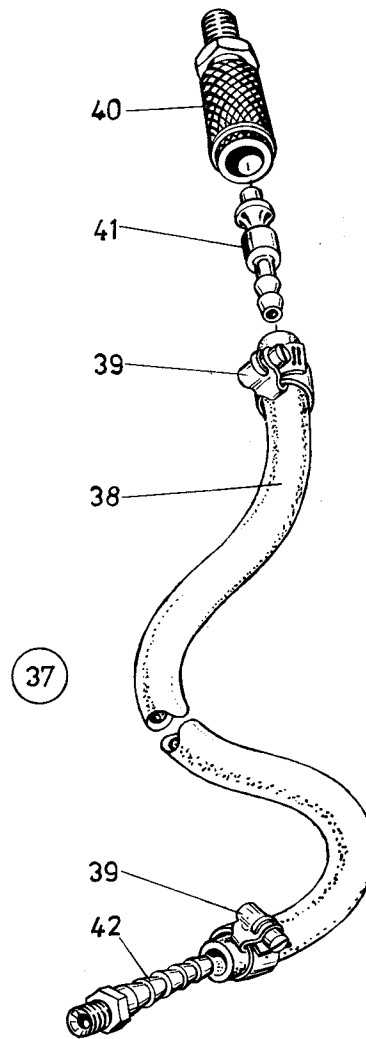
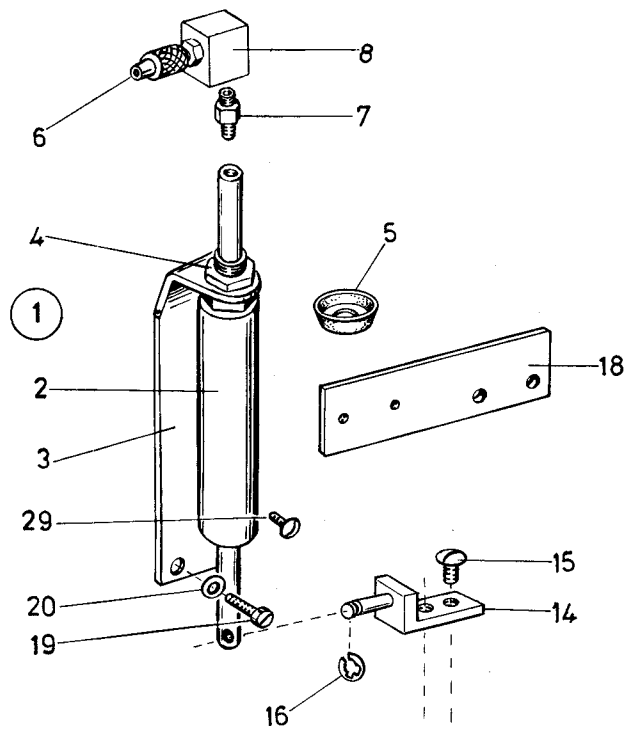
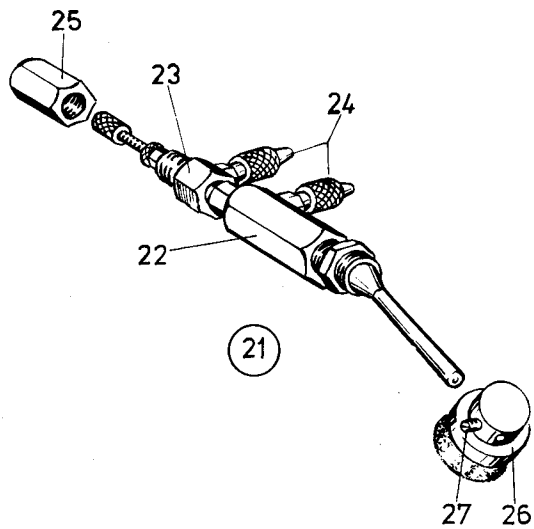








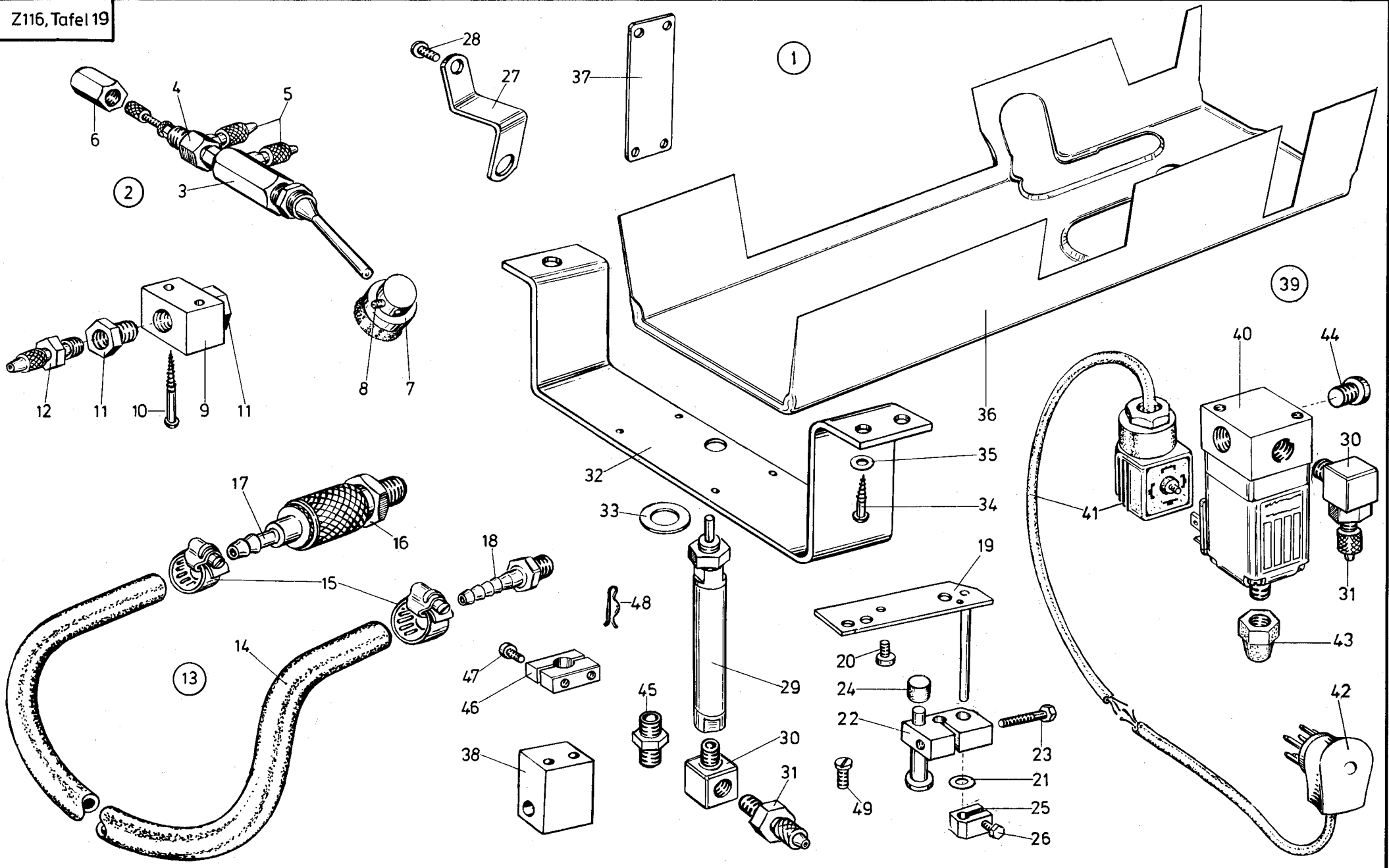


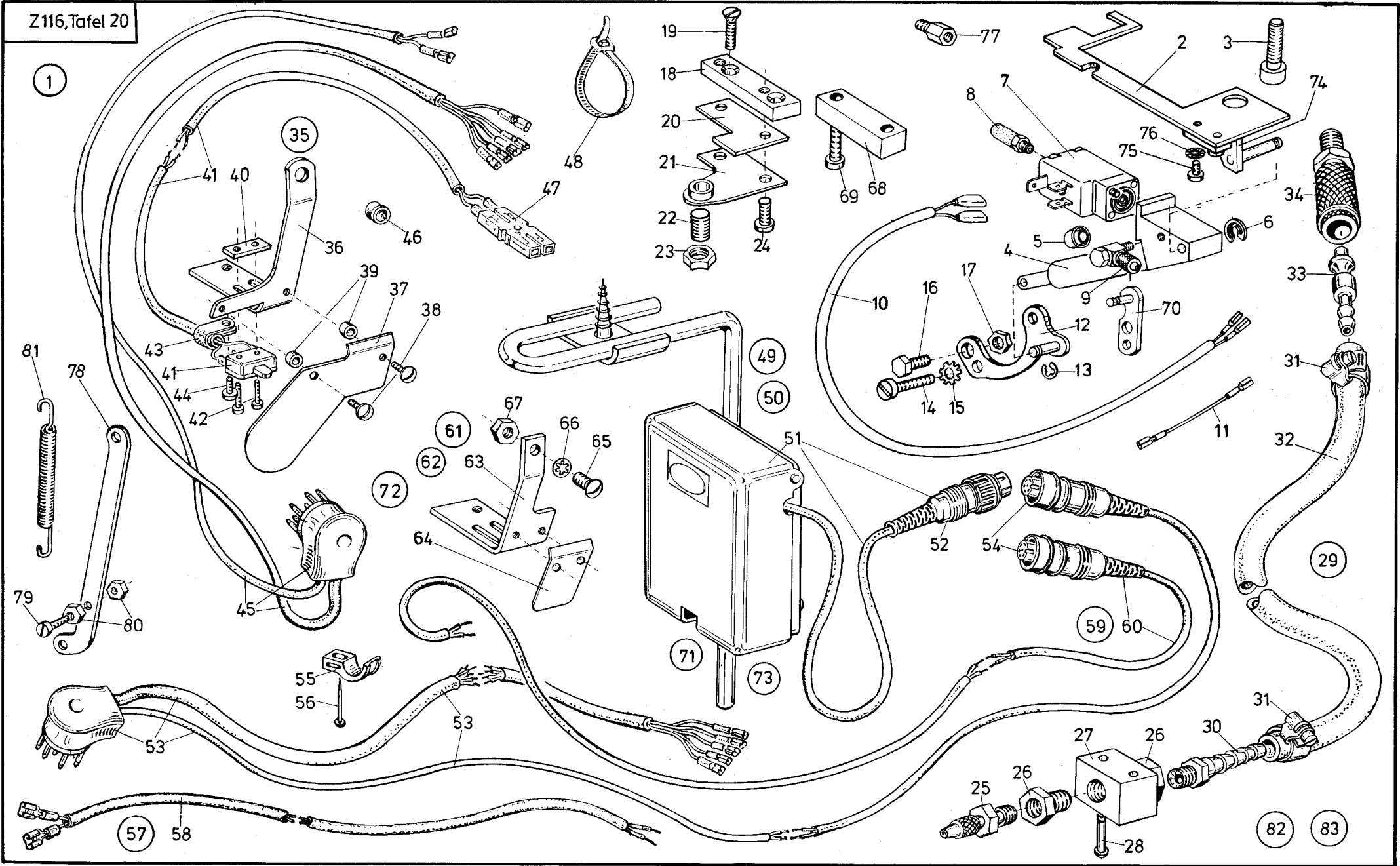


Pos. Det.	Teile Nr. Part No.	Benennung	Denomination
Z 116-13; -32			
Z 116-13			
1	Z116331	Pneumatische Stichverriegelung kpl. (best. aus Pos. 2 bis 42)	Pneumatic stitch locking cpl. (cons. of pos. 2 up to 42)
2	Z116292k	Zylinder (mit Pos 3 bis 8)	Cylinder (with pos 3 up to 8)
3	Z116292	Winkel	Square
4	216103	Mutter	Nut
5	Z11612	Topfmanschette	Cup collar
6	7422244	Schl.-Verschr.	Hose coupling screw
7	Z11650	Doppelnippel	Double nipple
8	Z11651	Winkelstück	Bend elbow
9	Z11616	Stichstellergriff (mit Pos. 10 bis 13)	Stitch guide handle (with pos. 10 up to 13)
10	211570	Anschlagschraube	Stop screw
11	65045	Druckfeder	Pressure spring
12	211568	Kugel	Ball
13	211571	Rändelmutter	Knurled nut
14	Z11625	Mitnehmer	Carrier
15	10019130	Schraube	Screw
16	255129	Sicherungsring	Circlip
17	212549	Zugfeder	Draw spring
18	Z1171305	Platte	Plate
19	MG41/3013	Zyl.-Schraube	Cyl. head screw
20	5691895	Scheibe	Washer
21	Z11641k	Sitzventil kpl. (best. aus Pos. 22 bis 25)	Seat valve cpl. (cons. of pos. 22 up to 25)
22	Z11641a	3/2-Wege-Ventil	3/2-Directional control valve
23	Z11647	Drosselventil	Throttle valve
24	7422244	Schlauchverschraubung	Hose coupling screw
25	Z11648	Abdeckmutter	Covering nut
26	Z117126	Aufnahme (mit Pos. 27)	Uptake (with pos. 27)
27	216589	Gew.-Stift	Threaded stud
28	7422238	Schl.-Verschraubung	Hose coupling screw
29	10019130	Schraube zu Fadenführung	Screw to thread guidance
30	Z116191	Lasche	Shackle

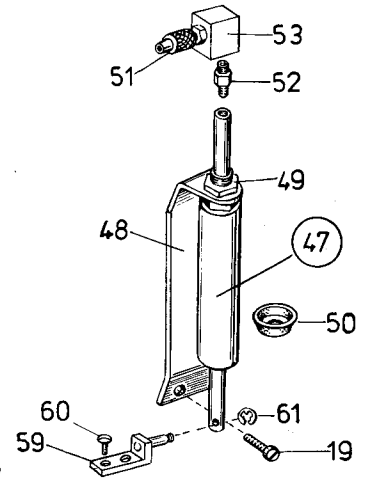
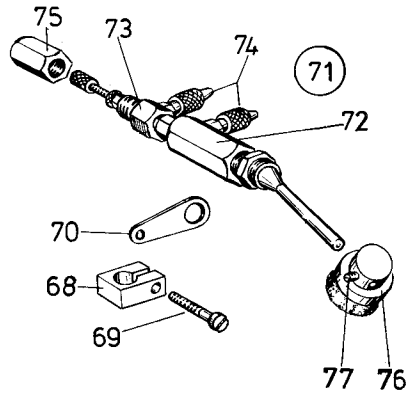
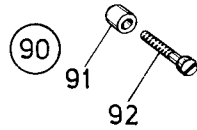
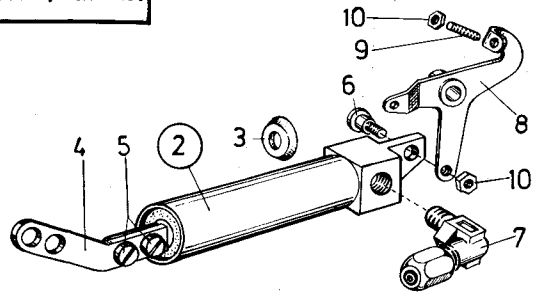
Pos. Det.	Teile Nr. Part No.	Benennung	Denomination
31	2125412	Lagerbolzen	Bearing bolt
32	216406	Zyl.-Schraube	Cyl. head screw
33	055147	Scheibe	Washer
34	Z11655	Aufnahmestück	Uptake
35	Z11661	Reduzierstück	Reducer
36	560771	Halbrundholzschraube	Half-round wood screw
37	72171	Anschl.-Schlauch kpl. (best. aus Pos. 38 bis 42)	Coupling hose cpl. (cons. of pos. 38 up to 42)
38	Z11577	Anschl.-Schlauch	Coupling hose
39	7422096	Schlauchklemme	Hose clip
40	7441793a	Schlauchkupplung	Hose coupling
41	7449513	Schlauchtülle	Hose nozzle
42	Z11538	Schlauchtülle	Hose nozzle
Z 116-32			
43	Z116441	Pneumat. Stichverriegelung kpl. (best. aus Pos. 2 bis 29)	Pneumatic Stitch locking cpl. (cons. of pos. 2 up to 29)

Pos. Det.	Teile Nr. Part No.	Benennung	Denomination
--------------	-----------------------	-----------	--------------

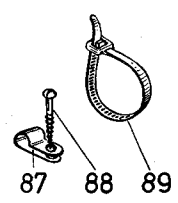
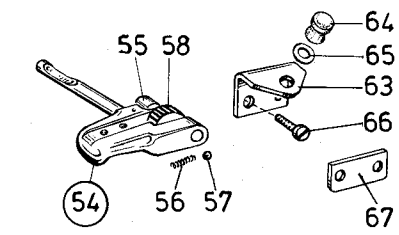
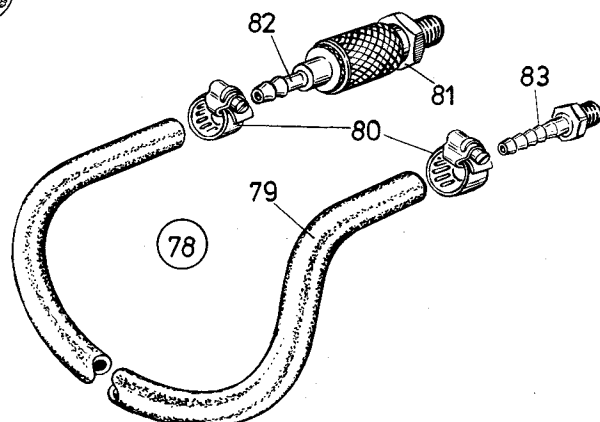
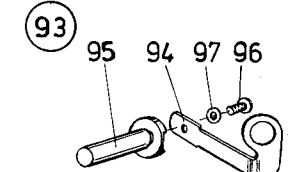
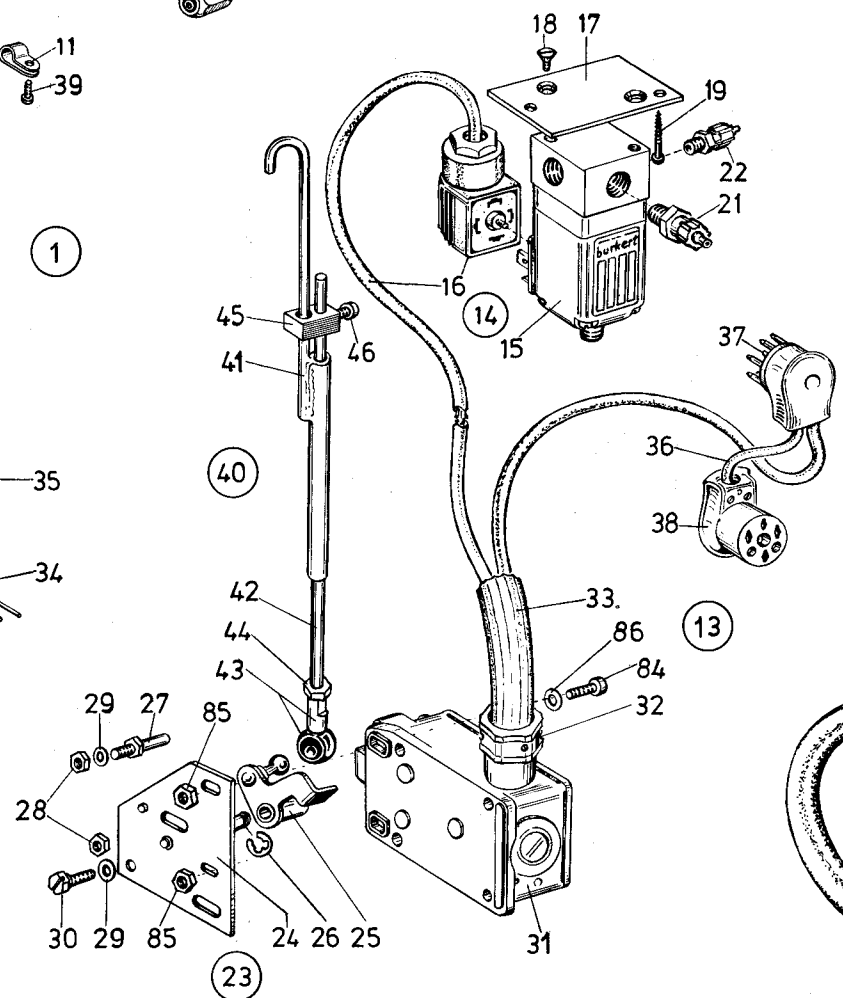
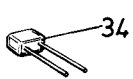
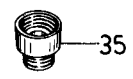




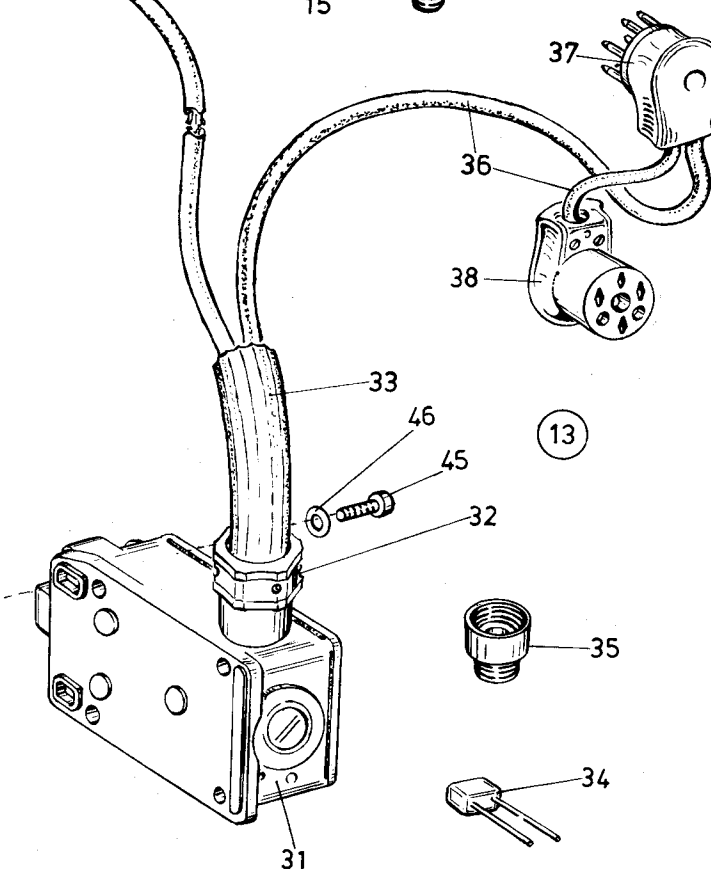
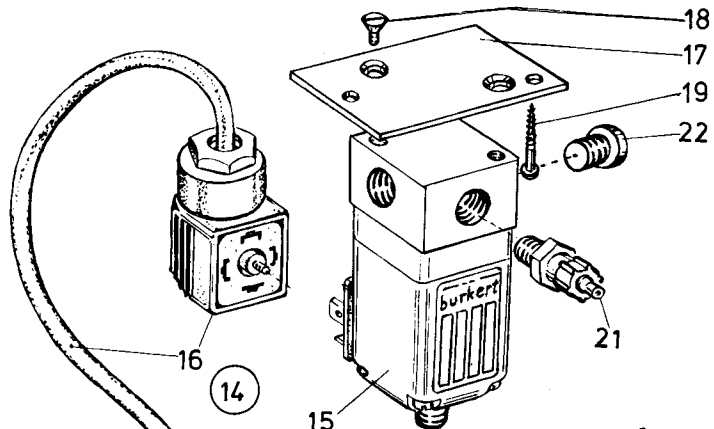
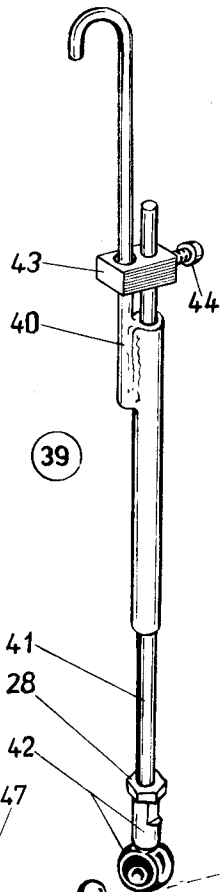
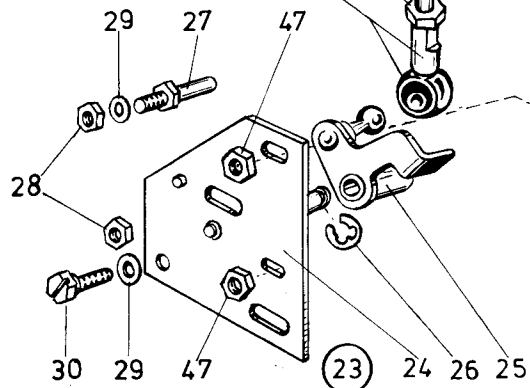
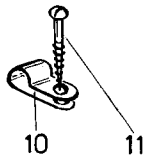
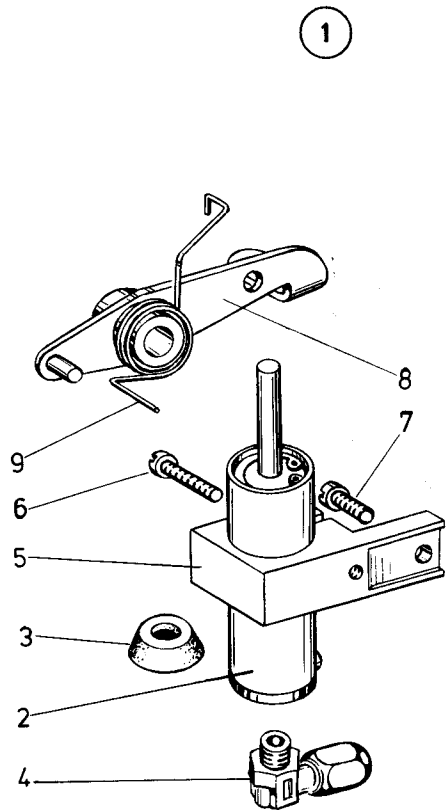
Pos. Det.	Teile Nr. Part No.	Benennung	Denomination	Pos. Det.	Teile Nr. Part No.	Benennung	Denomination	Pos. Det.	Teile Nr. Part No.	Benennung	Denomination
		Z116-211, -244, -255									
		Z116-211 mit Taster für Kl. 211-, 212-, 219-15000	Z116-211 with sensor for Cl. 211-, 212-, 219-15000								
1	Z116701	Elektro-pneumatische Stichverriegelung kpl. (best. aus Pos. 2 bis 48 und 74 bis 81)	Electro-pneumatic stitch locking cpl. (cons. of pos. 2 up to 48 and 74 up to 81)	44	223700	Zyl.-Schraube	Cyl. head screw	64	Z116873	Schaltblech	Switch plate
2	Z116703a	Platte kpl. (mit Pos. 74, 75, 76)	Plate cpl. (with pos. 74, 75, 76)	45	Z116761	Leitung	Cable	65	219353	Linsenschraube	Fillister head screw
3	5564a	Zyl.-Schraube	Cyl. head screw	46	21113	Kunststoffmuffe	Plastic sleeve	66	739347	Zahnscheibe	Tooth lock washer
4	24414547	Zylinder kpl. (mit Pos. 5)	Cylinder cpl. (with pos. 5)	47	7465428	Steckverbinder	Plug-type connector	67	7395105	6kt.-Mutter	Hexagonal nut
5	21154075	Lippenring	Lip ring	48	Z151302	Kabelband	Cable band	68	21154248	Lagerbock	Pillow block
6	211100a	Sicher.-Scheibe	Circlip			Z116-211 mit Knie-schalter für Kl. 211-, 212-, 219-15000	Z116-211 with knee-switch for Cl. 211-, 212-, 219-15000	69	10019129	Zyl.-Schraube	Cyl. head screw
7	797319	Magnetventil	Solenoid valve	49	Z116702	Elektro-pneumatische Stichverriegelung kpl. (best. aus Pos. 2 bis 34, 48 bis 56 und 74 bis 81)	Electro-pneumatic stitch locking cpl. (cons. of pos. 2 up to 34, 48 up to 56 and 74 up to 81)	70	21255712	Lasche	Shackle
8	Z11649	Schalldämpfer	Silencer			Z116-211 mit Knie-schalter für Kl. 211-, 212-, 219-15000	Z116-211 with knee-switch for Cl. 211-, 212-, 219-15000			Z116-244 mit Knie-schalter für Kl. 243- und 244-15000	Z116-244 with knee-switch for Cl. 243- and 244-15000
9	746768	Schl.-L-Verschr.	Hose-L-coupling screw	50	Z116771	Knieschalter kpl. (best. aus Pos. 48, 51 bis 56)	Knee switch cpl. (cons. of pos. 48, 51 up to 56)	71	Z116842	Elektro-pneumatische Stichverriegelung kpl. (best. aus Pos. 2 bis 11, 13, 15, 16, 20 bis 23, 25 bis 28, 29, 50, 68 bis 70 und 74 bis 77)	Electro-pneumatic stitch locking cpl. (cons. of pos. 2 up to 11, 13, 15, 16, 20 up to 23, 25 up to 28, 29, 50, 68 up to 70 and 74 up to 77)
10	24414571	Leitung	Cable	51	Z116772	Knieschalter (mit Pos. 52)	Knee switch (with pos. 52)			Z116-244 mit Taster für Kl. 243-, 244-, -115000, -315000	Z116-244 with sensor for Cl. 243-, 244-, -115000, -315000
11	24414667	Leitung	Cable	52	Z116776	Stecker	Contact plug	72	Z116901	Taster kpl. (best. aus Pos. 38 bis 44, 46 bis 48, 58, 63 bis 67)	Sensor cpl. (cons. of pos. 38 up to 44, 46 up to 48, 58, 63 up to 67)
12	Z116717	Hebel	Lever	53	Z116778	Leitung (mit Pos. 54)	Cable (with pos. 54)			Z116-244 mit Knie-schalter für Kl. 243-, 244-115000, -315000	Z116-244 with knee-switch for Cl. 243-, 244-115000, -315000
13	255129	Sicher.-Scheibe	Circlip	54	21154215	Kupplung	Coupling	73	Z116801	Knieschalter kpl. Siehe Pos. 59	Knee switch cpl. See pos. 59
14	21131	Zyl.-Schraube	Cyl. head screw	55	7442168	Iso-Nagelschelle	Iso-nail clip			Z116-211 mit Taster für Kl. 211-, 212-, 219-, 115000, -315000	Z116-211 with sensor for Cl. 211-, 212-, 219-, 115000, -315000
15	557111	Federscheibe	Spring washer	56	7442094	Fix-Stahlnadeln	Fix-steel needles			Z116-211 mit Taster für Kl. 211-, 212-, 219-, 115000, -315000	Z116-211 with sensor for Cl. 211-, 212-, 219-, 115000, -315000
16	5601941	Schraube	Screw			Z116-211 mit Knie-schalter für Kl. 211-, 212-, 219-115000, -315000	Z116-211 with knee-switch for Cl. 211-, 212-, 219-115000, -315000			Z116-244 mit Knie-schalter für Kl. 243-, 244-115000, -315000	Z116-244 with knee-switch for Cl. 243-, 244-115000, -315000
17	MG43/408	6kt.-Mutter	Hexagonal nut	57	Z116791	Taster kpl. (best. aus Pos. 36 bis 44, 46, 47, 48 und 58)	Sensor cpl. (cons. of pos. 36 up to 44, 46, 47, 48 and 58)	74	26513743	Winkel	Angle
18	Z116725	Lagerbock	Pillow block	58	Z116793	Leitung	Cable	75	21698	Zyl.-Schraube	Cyl. head screw
19	5702382	Senkschraube	Countersunk screw			Z116-211 mit Knie-schalter für Kl. 211-, 212-, 219-115000, -315000	Z116-211 with knee-switch for Cl. 211-, 212-, 219-115000, -315000	76	739347	Zahnscheibe	Tooth lock washer
20	21154247	Platte	Plate			Z116-211 mit Knie-schalter für Kl. 211-, 212-, 219-115000, -315000	Z116-211 with knee-switch for Cl. 211-, 212-, 219-115000, -315000	77	7462208	Verbindungsstück	Joining piece
21	21154241	Blattfeder	Leaf spring	59	Z116801	Knieschalter kpl. (best. aus Pos. 51, 52 und 60)	Knee switch cpl. (cons. of pos. 51, 52 and 60)	78	21154023	Verbindungstange	Linking rod
22	21154245	Gewindestift	Threaded stud	60	Z116803	Leitung (mit Pos. 54)	Cable (with pos. 54)	79	213370	Zyl.-Schraube	Cyl. head screw
23	21154246	6kt.-Mutter	Hexagonal nut			Z116-211 mit Knie-schalter für Kl. 211-, 212-, 219-115000, -315000	Z116-211 with knee-switch for Cl. 211-, 212-, 219-115000, -315000	80	237202	6kt.-Mutter	Hexagonal nut
24	902602	Schraube	Screw			Z116-211 mit Knie-schalter für Kl. 211-, 212-, 219-115000, -315000	Z116-211 with knee-switch for Cl. 211-, 212-, 219-115000, -315000	81	21154671	Zugfeder	Tension spring
25	7422238	Schl.-Verschr.	Hose coupling screw	61	Z116841	Elektro-pneumatische Stichverriegelung kpl. (best. aus Pos. 2 bis 11, 13, 15, 16, 20 bis 23, 25 bis 28, 29, 62, 68 bis 70 und 74 bis 77)	Electro-pneumatic stitch locking cpl. (cons. of pos. 2 up to 11, 13, 15, 16, 20 up to 23, 25 up to 28, 29, 62, 68 up to 70, 74 up to 77)			Z116-255 mit Taster für Kl. 212-15155	Z116-255 with sensor for Cl. 212-15155
26	Z11661	Reduzierstück	Reducer			Z116-244 mit Taster für Kl. 243- und 244-15000	Z116-244 with sensor for Cl. 243- and 244-15000	82	Z116941	Elektro-pneumatische Stichverriegelung kpl. (best. aus Pos. 2 bis 11, 13, 15, 16, 20 bis 23, 25 bis 48, 68 bis 70, 74 bis 76)	Electro-pneumatic stitch locking cpl. (cons. of pos. 2 up to 11, 13, 15, 16, 20 up to 23, 25 up to 48, 68 up to 70, 74 up to 76)
27	Z11655	Aufnahmestück	Uptake			Z116-244 mit Taster für Kl. 243- und 244-15000	Z116-244 with sensor for Cl. 243- and 244-15000			Z116-255 mit Knie-schalter für Kl. 212-15155	Z116-255 with knee-switch for Cl. 212-15155
28	560771	Holzschraube	Wood screw	62	Z116871	Taster kpl. (best. aus Pos. 38 bis 48 und 63 bis 67)	Sensor cpl. (cons. of pos. 38 up to 48 and 63 up to 67)	83	Z116842	Stichverriegelung kpl. Siehe Pos. 71	Stitch locking cpl. See pos. 71
29	72171	Anschlußschlauch (mit Pos. 30 bis 34)	Coupling hose (with pos. 30 up to 34)			Z116-244 mit Taster für Kl. 243- und 244-15000	Z116-244 with sensor for Cl. 243- and 244-15000			Z116-255 mit Knie-schalter für Kl. 212-15155	Z116-255 with knee-switch for Cl. 212-15155
30	Z11538	Schlauchtülle	Hose nozzle			Z116-244 mit Taster für Kl. 243- und 244-15000	Z116-244 with sensor for Cl. 243- and 244-15000			Z116-255 mit Knie-schalter für Kl. 212-15155	Z116-255 with knee-switch for Cl. 212-15155
31	7422096	Schlauchklemme	Hose clip			Z116-244 mit Taster für Kl. 243- und 244-15000	Z116-244 with sensor for Cl. 243- and 244-15000			Z116-255 mit Knie-schalter für Kl. 212-15155	Z116-255 with knee-switch for Cl. 212-15155
32	Z11577	Schlauch	Hose			Z116-244 mit Taster für Kl. 243- und 244-15000	Z116-244 with sensor for Cl. 243- and 244-15000			Z116-255 mit Knie-schalter für Kl. 212-15155	Z116-255 with knee-switch for Cl. 212-15155
33	7449513	Tülle	Nozzle			Z116-244 mit Taster für Kl. 243- und 244-15000	Z116-244 with sensor for Cl. 243- and 244-15000			Z116-255 mit Knie-schalter für Kl. 212-15155	Z116-255 with knee-switch for Cl. 212-15155
34	7441793a	Kupplungsdose	Coupling socket			Z116-244 mit Taster für Kl. 243- und 244-15000	Z116-244 with sensor for Cl. 243- and 244-15000			Z116-255 mit Knie-schalter für Kl. 212-15155	Z116-255 with knee-switch for Cl. 212-15155
35	Z116741	Taster kpl. (best. aus Pos. 36 bis 48)	Sensor cpl. (cons. of pos. 36 up to 48)			Z116-244 mit Taster für Kl. 243- und 244-15000	Z116-244 with sensor for Cl. 243- and 244-15000			Z116-255 mit Knie-schalter für Kl. 212-15155	Z116-255 with knee-switch for Cl. 212-15155
36	Z116742	Haltewinkel	Supporting square			Z116-244 mit Taster für Kl. 243- und 244-15000	Z116-244 with sensor for Cl. 243- and 244-15000			Z116-255 mit Knie-schalter für Kl. 212-15155	Z116-255 with knee-switch for Cl. 212-15155
37	Z116743	Schaltblech	Operating plate			Z116-244 mit Taster für Kl. 243- und 244-15000	Z116-244 with sensor for Cl. 243- and 244-15000			Z116-255 mit Knie-schalter für Kl. 212-15155	Z116-255 with knee-switch for Cl. 212-15155
38	10019130	Linsenschraube	Fillister head screw			Z116-244 mit Taster für Kl. 243- und 244-15000	Z116-244 with sensor for Cl. 243- and 244-15000			Z116-255 mit Knie-schalter für Kl. 212-15155	Z116-255 with knee-switch for Cl. 212-15155
39	2132038	Abstandsbuchse	Distance bush			Z116-244 mit Taster für Kl. 243- und 244-15000	Z116-244 with sensor for Cl. 243- and 244-15000			Z116-255 mit Knie-schalter für Kl. 212-15155	Z116-255 with knee-switch for Cl. 212-15155
40	Z116747	Lasche	Shackle			Z116-244 mit Taster für Kl. 243- und 244-15000	Z116-244 with sensor for Cl. 243- and 244-15000			Z116-255 mit Knie-schalter für Kl. 212-15155	Z116-255 with knee-switch for Cl. 212-15155
41	Z116751	Leitung (mit Mikorsch.)	Cable (with micro switch)			Z116-244 mit Taster für Kl. 243- und 244-15000	Z116-244 with sensor for Cl. 243- and 244-15000			Z116-255 mit Knie-schalter für Kl. 212-15155	Z116-255 with knee-switch for Cl. 212-15155
42	Z125118	Zyl.-Schraube	Cyl. head screw			Z116-244 mit Taster für Kl. 243- und 244-15000	Z116-244 with sensor for Cl. 243- and 244-15000			Z116-255 mit Knie-schalter für Kl. 212-15155	Z116-255 with knee-switch for Cl. 212-15155
43	94210318	Schelle	Clip			Z116-244 mit Taster für Kl. 243- und 244-15000	Z116-244 with sensor for Cl. 243- and 244-15000			Z116-255 mit Knie-schalter für Kl. 212-15155	Z116-255 with knee-switch for Cl. 212-15155

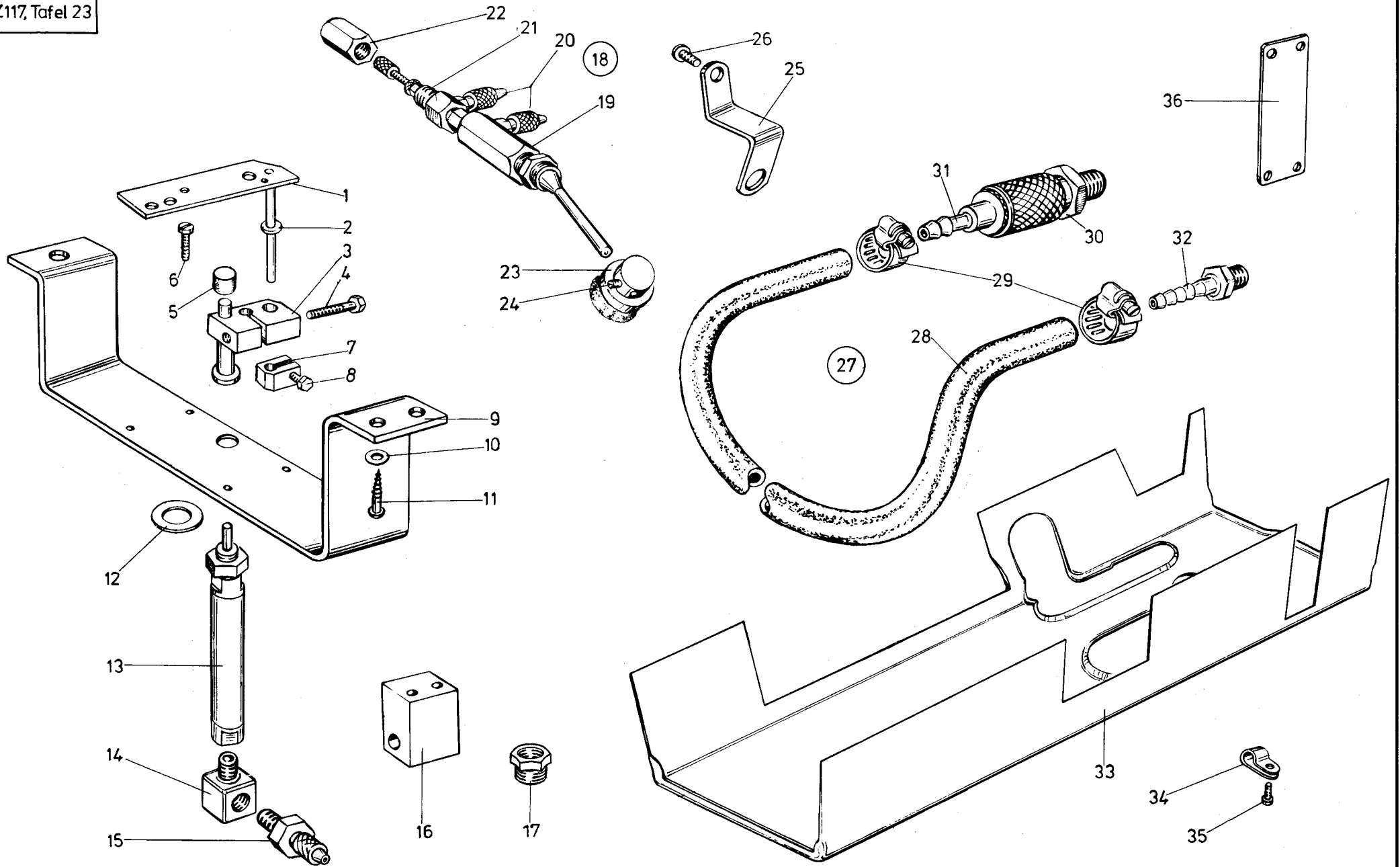


1



Pos. Det.	Teile Nr. Part No.	Benennung	Denomination	Pos. Det.	Teile Nr. Part No.	Benennung	Denomination	Pos. Det.	Teile Nr. Part No.	Benennung	Denomination
		Z117-1; -2, -3									
		Z117-1									
1	Z117191	Elektropneumatische Drückerfußlüftung und Stichstellerbetätigung kpl. (best. aus Pos. 2 bis 89)	Electro-pneumatic pressure-controlled foot-lifting and stitch guide operating lever cpl. (cons. of pos. 2 up to 89)	35	Z11597	Erweiter.-Stück	Enlargement piece	76	Z117126	Aufnahme (mit Pos. 77)	Uptake (with pos. 77)
2	Z1151	Zylinder	Cylinder	36	Z11598	Leitung (mit Pos. 37 und 38)	Cable (with pos. 37 and 38)	77	216589	Gew.-Stift	Threaded stud
3	Z1159a	Topfmanschette	Cup collar	37	MG41/1124	Stecker	6-pole plug	78	72171	Anschlußschlauch kpl. (best. aus Pos. 79, 80, 81, 82, 83)	Coupling hose cpl. (cons. of pos. 79, 80, 81, 82, 83)
4	Z11513	Lasche	Shackle	38	739494	Kupplung	Coupling	79	Z11577	Anschl.-Schlauch	Coupling hose
5	270631	Zyl.-Schraube	Cyl. head screw	39	21688	Zyl.-Schraube	Cyl. head screw	80	7422096	Schlauchklemme	Hose clip
6	Z11525	Ansatzschraube	Shoulder screw	40	Z11561	Gestänge kpl. (best. aus Pos. 41, 42, 43, 44, 45, 46)	Rods cpl. (cons. of pos. 41, 42, 43, 44, 45, 46)	81	7441793a	Schl.-Kupplung	Hose coupling
7	74423556	Winkelversch.	Square coupling screw	41	21110832	Gestängeführung	Rods guidance	82	7449513	Schlauchtülle	Hose nozzle
8	Z11521	Übertrag.-Hebel	Transmission lever	42	MG43/402	Stange	Rod	83	Z11538	Schlauchtülle	Hose nozzle
9	10019150	Gew.-Stift	Threaded stud	43	211616	Kugelpfanne	Cup	84	21646	Zyl.-Schraube	Cyl. head screw
10	MG8/7d	6kt.-Mutter	Hexagonal nut	44	MG43/408	6kt.-Mutter	Hexagonal nut	85	202704	6kt.-Mutter	Hexagonal nut
11	7442208	Schelle	Fastening clip	45	211612	Führungsstück	Guidance piece	86	5691895	Scheibe	Washer
13	Z11731k	Magnetventil kpl. (best. aus Pos. 14, 17, 18, 21, 22, 31, 32, 33, 34, 35, 36)	Solenoid valve cpl. (cons. of pos. 14, 17, 18, 21, 22, 31, 32, 33, 34, 35, 36)	46	556607	Zyl.-Schraube	Cyl. head screw	87	94210318	Schelle	Clip
14	Z11532a	Magnetventil (mit Pos. 15 und 16)	Solenoid valve (with pos. 15 and 16)	47	Z1163	Zylinder (mit Pos. 48, 49, 50, 51, 52, 53)	Cylinder (with pos. 48, 49, 50, 51, 52, 53)	88	713302	Holzschraube	Wood screw
15	797312	Magnetventil	Solenoid valve	48	Z1164	Winkel	Square	89	Z151302	Kabelband	Insulok cable band
16	Z11581	Leitung (mit Kabelkopf)	Cable (with cable pot-head)	49	216103	Mutter	Nut			Z117-2	
17	Z11533a	Platte	Plate	0	Z11612	Topfmanschette	Cup collar				
18	5692900	Schraube	Screw	51	7422244	Schl.-Verschr.	Hose coupling screw	90	Z117231	Elektropneumatische Drückerfußlüftung und Stichstellerbetätigung kpl. (best. aus Pos. 2 bis 67; Pos. 70 bis 89 und 91, 92)	Electro-pneumatic pressure controlled foot-lifting and stitch guide operating cpl. (cons. of pos. 2-67; pos. 70 up to 89 and 91, 92)
19	MG41/1364	Holzschraube	Wood screw	52	Z11650	Doppelnippel	Double nipple	91	2132010	Buchse	Bush
20	P121125	Nagelschelle	Nail clip	53	Z11651	Winkelstück	Square piece	92	216377	Zyl.-Schraube	Cyl. head screw
21	74423566	Schl.-Verschr.	Hose coupling screw	54	Z11616	Stichstellergriff (mit Pos. 55, 56, 57, 58)	Stitch guide handle (with pos. 55, 56, 57, 58)			Z117-3	
22	7422238	Schl.-Verschr.	Hose coupling screw	55	211570	Anschlagsschraube	Stop screw				
23	Z11541k	Platte kpl. (best. aus Pos. 24, 25, 26, 27, 28, 29)	Plate cpl. (cons. of pos. 24, 25, 26, 27, 28, 29)	56	65045	Druckfeder	Pressure spring	93	Z117281	Elektropneumatische Drückerfußlüftung und Stichstellerbetätigung kpl. (best. aus Pos. 2 bis 67; Pos. 71 bis 89 und Pos. 94, 95, 96, 97)	Electro-pneumatic pressure controlled foot-lifting and stitch guide operating cpl. (cons. of pos. 2-67; pos. 71 up to 89 and pos. 94, 95, 96, 97)
24	Z11541	Platte	Plate	57	211568	Kugel	Steel ball	94	Z116191	Lasche	Shackle
25	Z11551	Hebel	Lever	58	211571	Rändelmutter	Knurled nut	95	2125412	Lagerbolzen	Bearing bolt
26	211100a	Sicher.-Scheibe	Safety washer	59	Z11625	Mitnehmer	Carrier	96	216406	Zyl.-Schraube	Cyl. head screw
27	216359	Gew.-Bolzen	Threaded stud	60	10019130	Schraube	Fillister head screw	97	055147	Scheibe	Washer
28	MG43/408	Mutter	Nut	61	255129	Sicherungsring	Safety collar				
29	557263	Scheibe	Washer	62	212549	Zugfeder	Draw spring				
30	7441658	6kt.-Schraube	Hexagonal screw	63	Z11630	Anschlagwinkel	Back square				
31	MG41/1126	Endtaster	Final touch contact	64	21643	Gummipuffer	Rubber buffer				
32	7421535	Druckschraube	Pressure screw	65	MG43/2510	Scheibe	Washer				
33	Z11595	Hebiflex-Schlauch	Hebiflex-tube	66	55680	Zyl.-Schraube	Cyl. head screw				
34	739311	Diode	Diode	67	211572a	Anschlagblech	Stop plate				
				68	Z11635	Aufnahmekloben (mit Pos. 69)	Uptake block (with pos. 69)				
				69	216377	Zyl.-Schraube	Cyl. head screw				
				70	Z11638	Lasche	Shackle				
				71	Z11641k	Sitzventil (mit Pos. 72, 73, 74, 75)	Seat valve (with pos. 72, 73, 74, 75)				
				72	Z11641a	Dreiwegsitzventil	Three-way valve				
				73	Z11647	Drosselventil	Throttle valve				
				74	7422244	Schl.-Verschr.	Hose coupling screw				
				75	Z11648	Abdeckmutter	Covering nut				



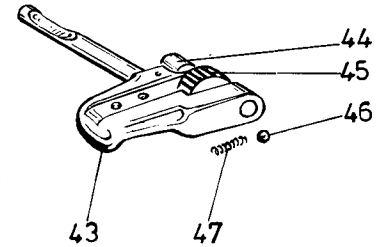
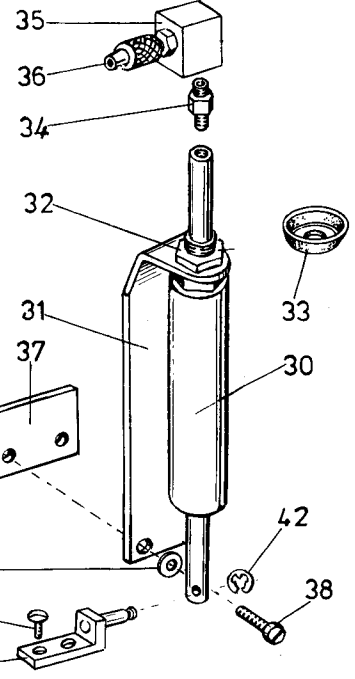
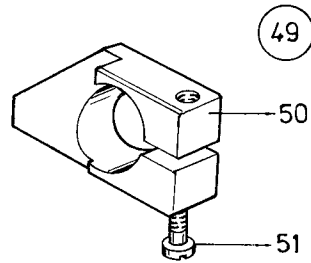
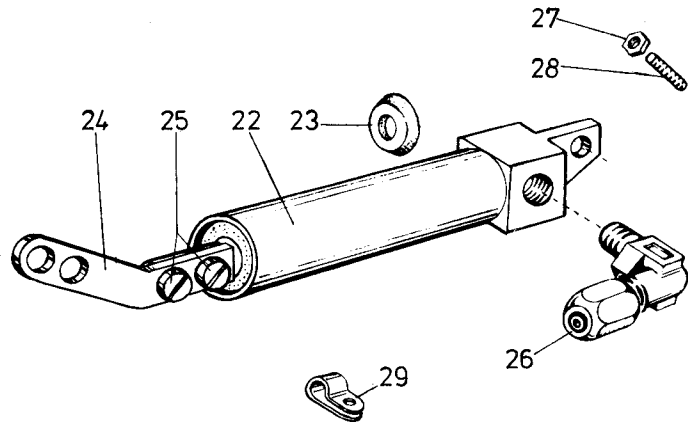
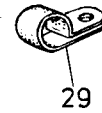
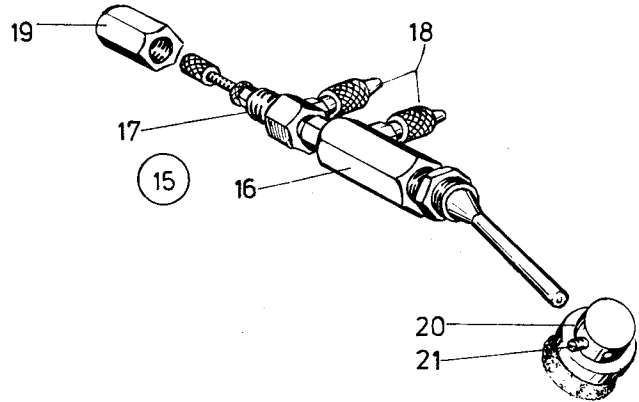
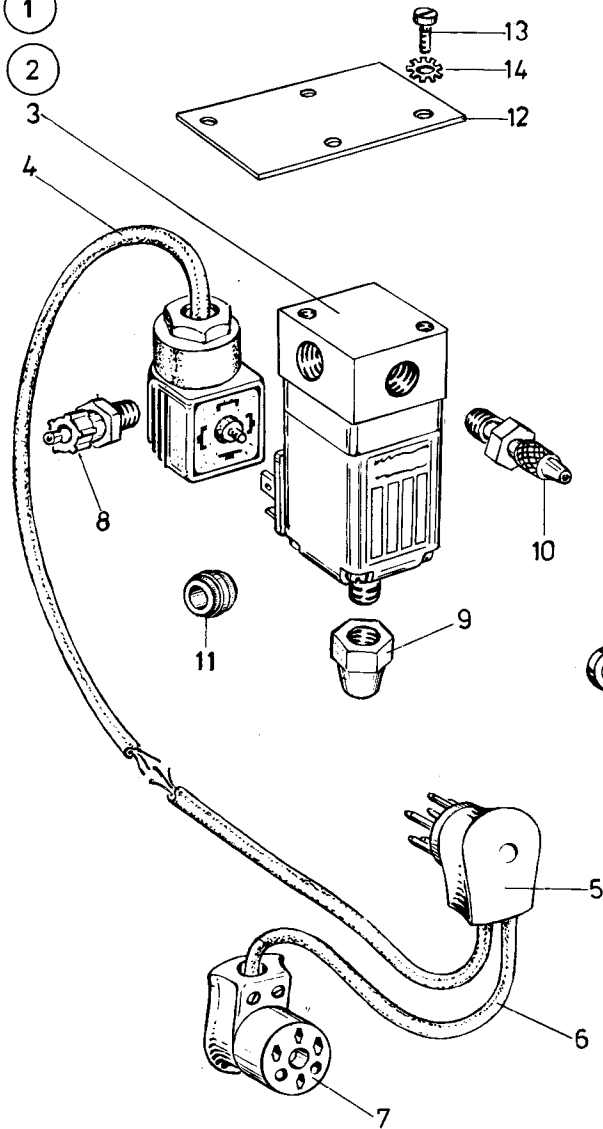


1

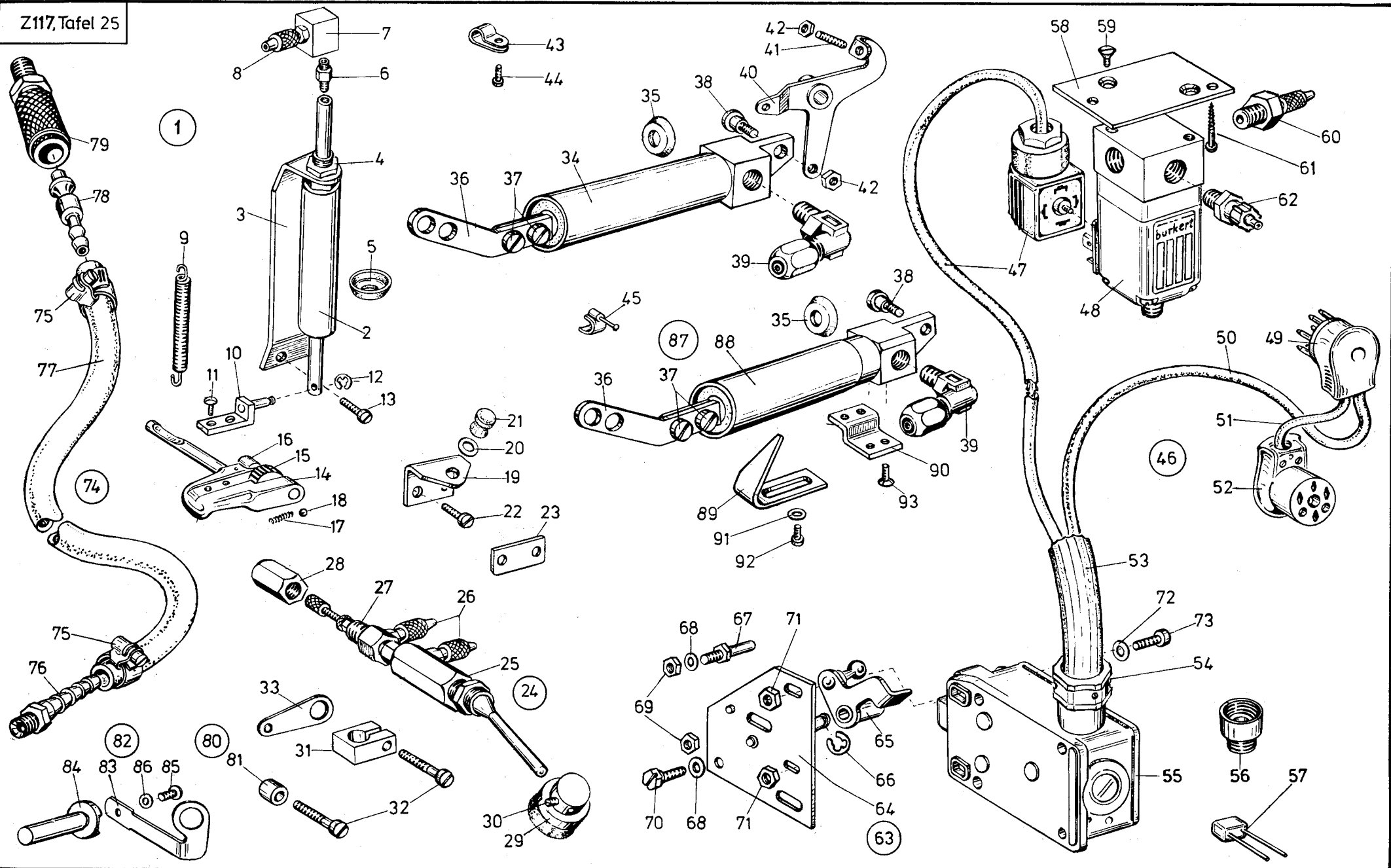
2

3

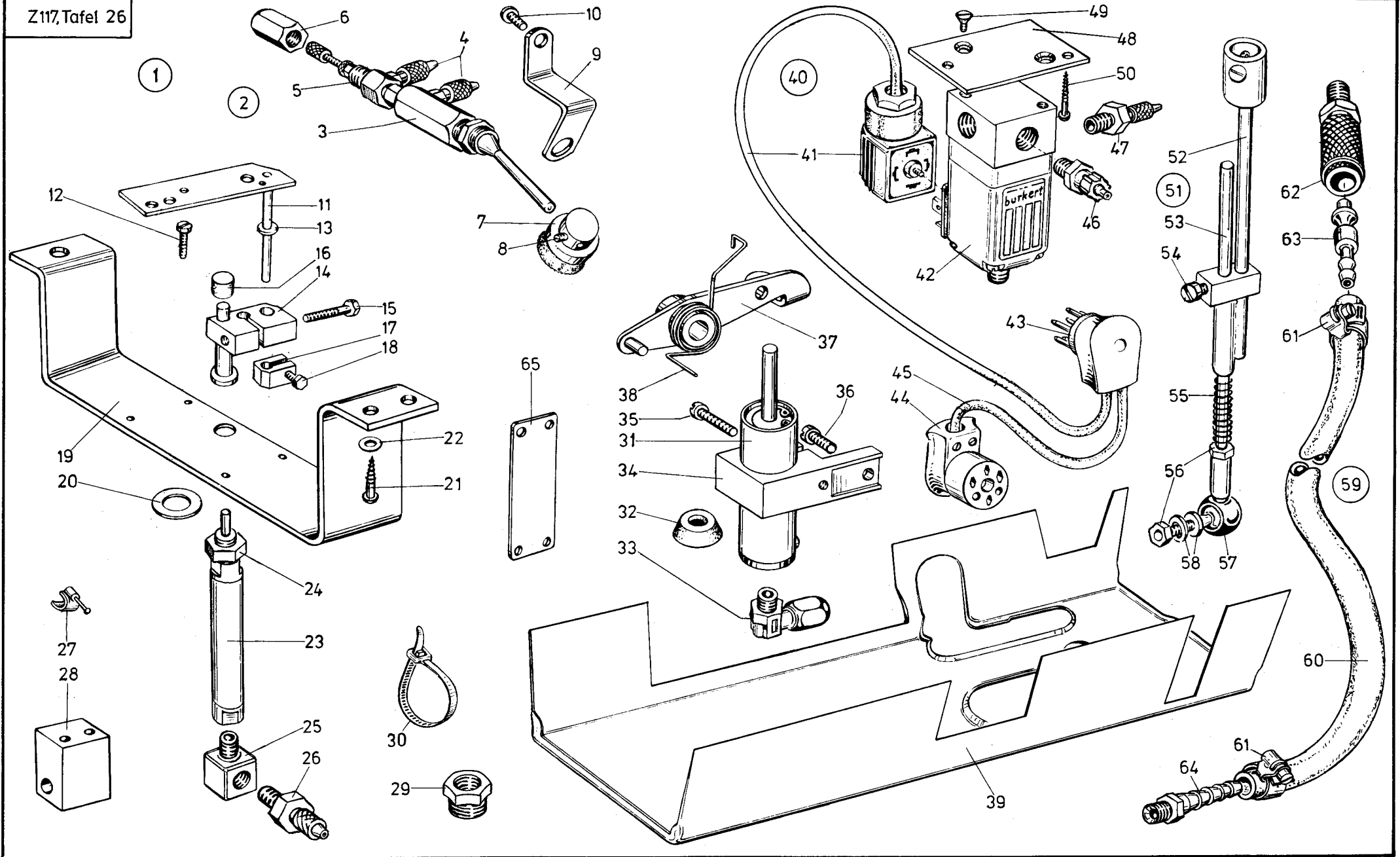
4



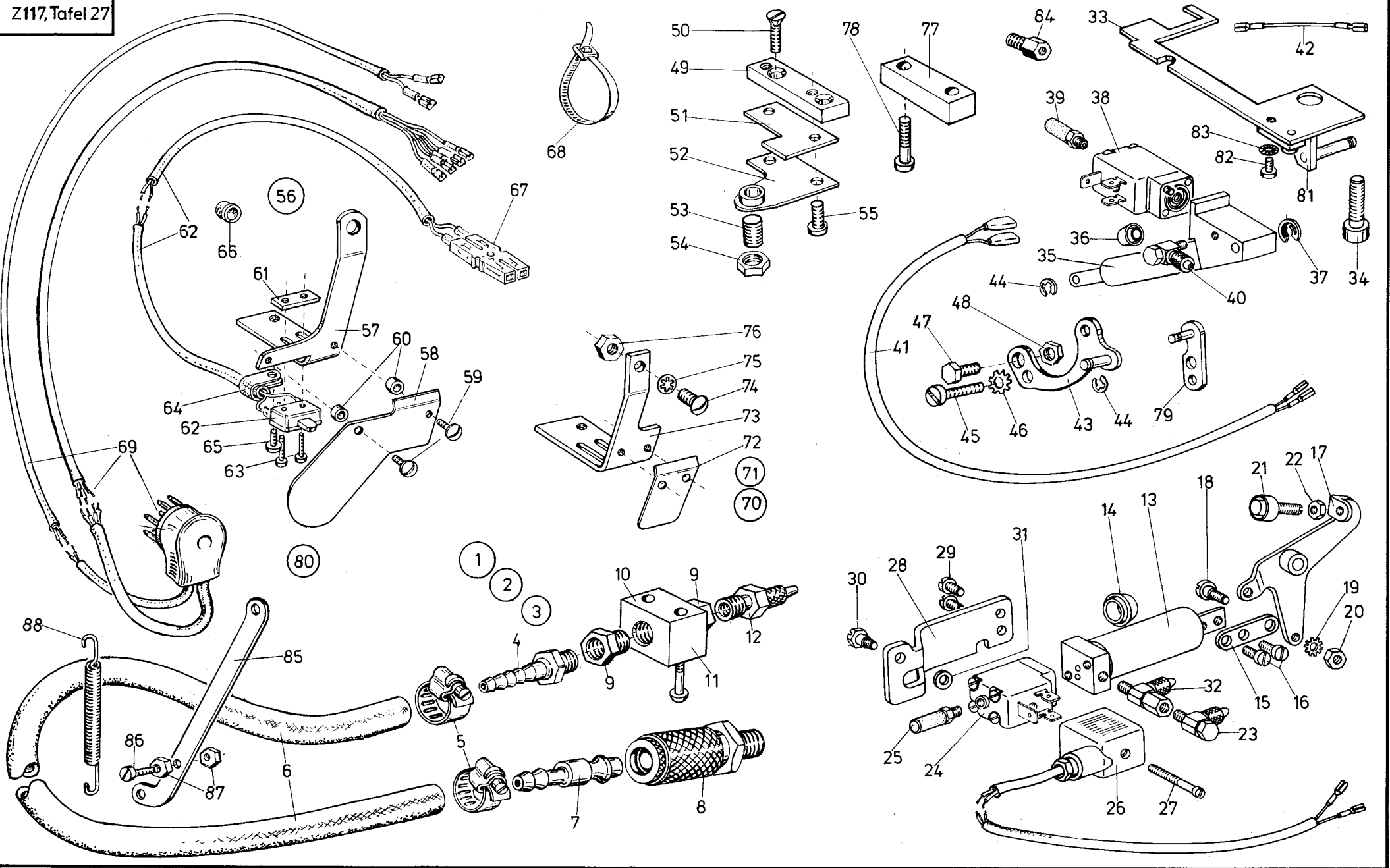
Pos. Det.	Teile Nr. Part No.	Benennung	Denomination	Pos. Det.	Teile Nr. Part No.	Benennung	Denomination	Pos. Det.	Teile Nr. Part No.	Benennung	Denomination
Z 117-32, -34											
Z 117-32											
1	Z1171291	Elektro-pneumat. Stichverriegelung und Füßchenlüftung kpl. (best. aus Pos. 2 bis 48)	Electro-pneumatic stitch locking and foot lifting cpl. (cons. of pos. 2 up to 48)	31	Z116292	Winkel	Square				
2	Z115514	Magnetventil kpl. (best. aus Pos. 3 bis 7)	Solenoid valve cpl. (cons. of pos. 3 up to 7)	32	216103	Mutter	Nut				
3	797312	Magnetventil	Solenoid valve	33	Z11612	Topfmanschette	Cup collar				
4	Z115511	Leitung (mit Kabelkopf)	Cable (with cable pot-head)	34	Z11650	Doppelnippel	Double nipple				
5	MG41/1124	Stecker	6-pole plug	35	Z11651	Winkelstück	Bend elbow				
6	Z127762	Leitung	Cable	36	7422244	Schl.-Verschr.	Hose coupling screw				
7	739494	Kupplung	Coupling	37	Z1171305	Platte	Plate				
8	74423566	Schl.-Verschr.	Hose coupling screw	38	MG41/3013	Zyl.-Schraube	Cyl. head screw				
9	7973191	Schalldämpfer	Silencer	39	5691895	Scheibe	Washer				
10	7422238	Schl.-Verschr.	Hose coupling screw	40	Z116/25	Mitnehmer	Carrier				
11	7443572	Steckverbindung	Plug-in connection	41	10019130	Schraube	Screw				
12	Z115546	Blech	Plate	42	255129	Sicherungsring	Circlip				
13	216123	Zyl.-Schraube	Cyl. head screw	43	Z11616	Stichstell.-Griff (mit Pos. 44 bis 47)	Stitch guide handle (with pos. 44 up to 47)				
14	MG43/2950a	Fächerscheibe	Fan shaped washer	44	211570	Anschlagschraube	Stop screw				
15	Z11641k	Sitzventil (mit Pos. 16 bis 19)	Seat valve (with pos. 16 up to 19)	45	211571	Rändelmutter	Knurled nut				
16	Z11641a	(Dreiwege-)Sitzventil	Three-way valve	46	211568	Kugel	Ball				
17	Z11647	Drosselventil	Throttle valve	47	65045	Druckfeder	Pressure spring				
18	7422244	Schl.-Verschr.	Hose coupling screw	48	212549	Zugfeder	Draw spring				
19	Z11648	Abdeckmutter	Special nut	Z 117-34							
20	Z117126	Aufnahme (mit Pos. 21)	Uptake (with pos. 21)	49	Z1171391	Pneum. Verriegelung kpl. (best. aus Pos. 2 bis 51)	Pneumatic stitch locking cpl. (cons. of pos. 2 up to 51)				
21	216589	Gewindestift	Threaded stud	50	93360872	Schaltstück	Contact maker				
22	Z1151	Zylinder (mit Pos. 23 bis 26)	Cylinder (with pos. 23 up to 26)	51	216377	Zyl.-Schraube	Cyl. head screw				
23	Z1159a	Topfmanschette	Cup collar								
24	Z11513	Lasche	Shackle								
25	270631	Zyl.-Schraube	Cyl. head screw								
26	74423556	Winkelverschr.	Square coupling screw								
27	MG 8/7d	6kt.-Mutter	Hexagonal nut								
28	10019150	Gew.-Stift	Threaded stud								
29	7442208	Schelle	Clip								
30	Z116292k	Zylinder kpl. (mit Pos. 31 bis 36)	Cylinder cpl. (with pos. 31 up to 36)								



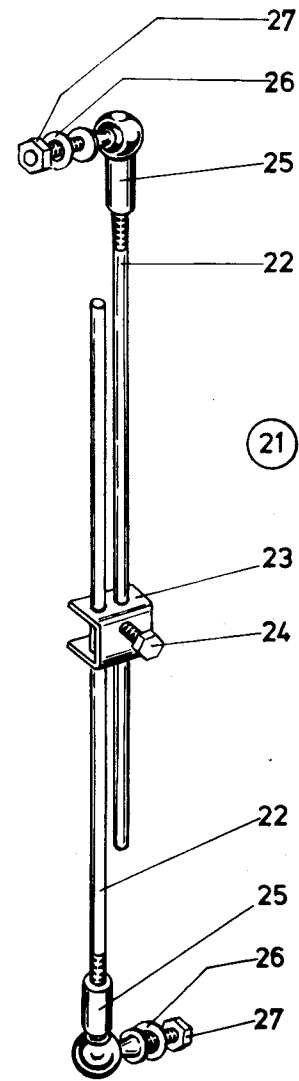
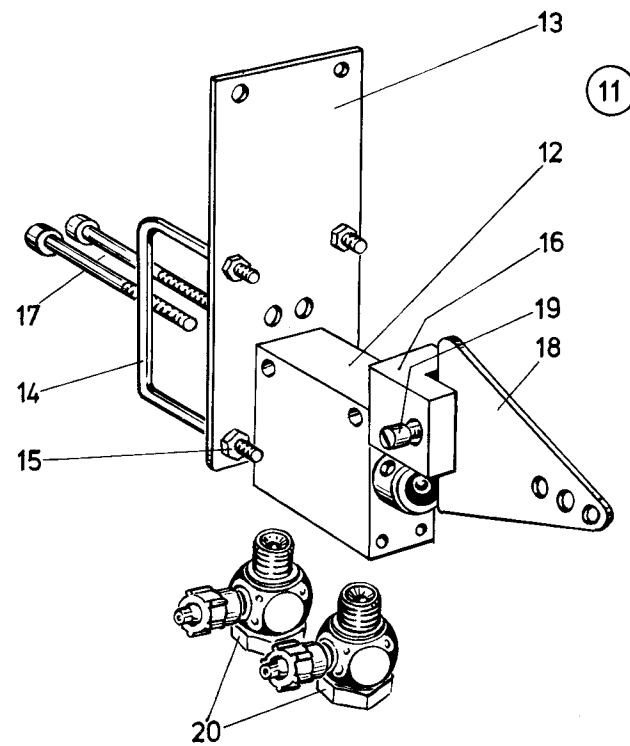
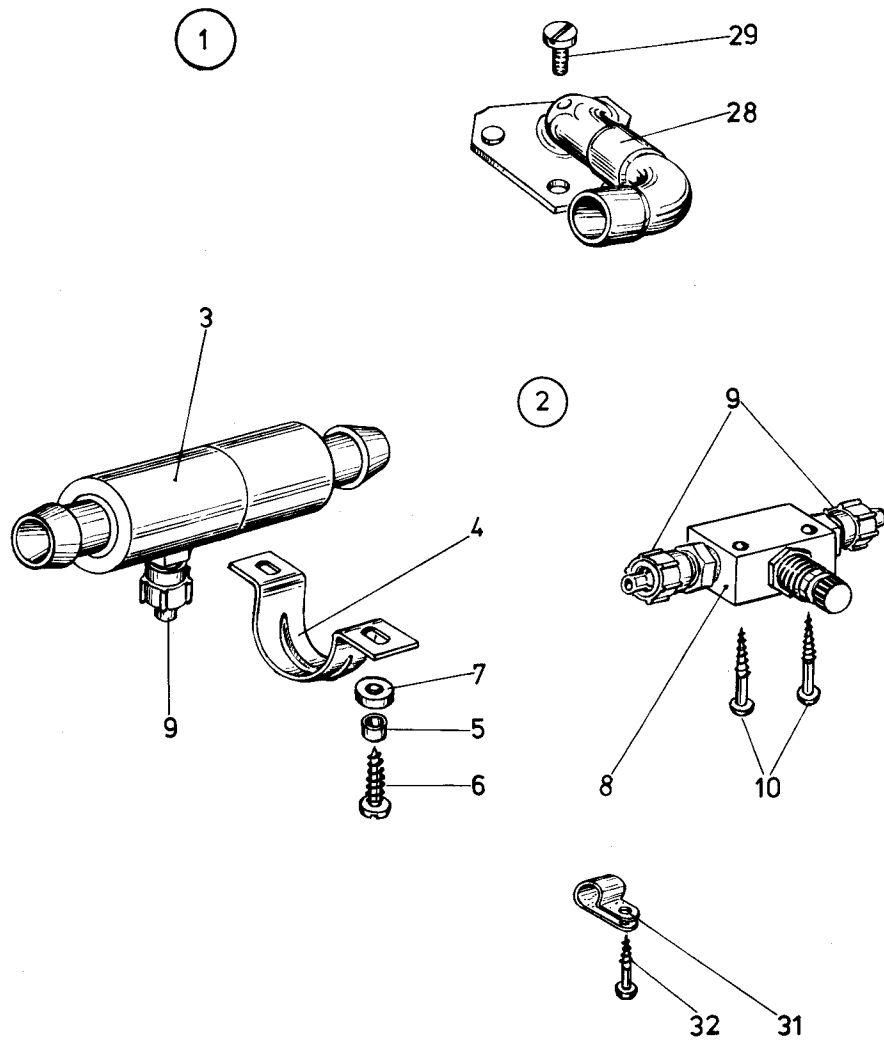
Pos. Det.	Teile Nr. Part No.	Benennung	Denomination	Pos. Det.	Teile Nr. Part No.	Benennung	Denomination	Pos. Det.	Teile Nr. Part No.	Benennung	Denomination
Z 117-51, -52, -53, -54											
Z 117-51											
1	Z117561	Pneumat. Lüftung und Stichstellerbetätigung kpl. (best. aus Pos. 2 bis 79)	Pneumatic lifting and stitch guide operating cpl. (cons. of pos. 2 up to 79)	33	Z11638	Lasche	Shackle	73	21646	Zyl.-Schraube	Cyl. head screw
2	Z1163	Zylinder kpl. (mit Pos. 3 bis 8)	Cylinder cpl. (with pos. 3 up to 8)	34	Z1151	Zylinder (mit Pos. 35 bis 39)	Cylinder (with pos. 35 up to 39)	74	72171	Anschlußschlauch kpl. (best. aus Pos. 75 bis 79)	Coupling hose cpl. (cons. of pos. 75 up to 79)
3	Z1164	Winkel	Square	35	Z1159a	Topfmanschette	Cup collar	75	7422096	Schlauchklemme	Hose clamping
4	Z16103	Mutter	Nut	36	Z11513	Lasche	Shackle	76	Z11538	Schlauchtülle	Hose nozzle
5	Z11612	Topfmanschette	Cup collar	37	Z11525	Zyl.-Schraube	Cyl. head screw	77	Z11577	Anschl.-Schlauch	Coupling hose
6	Z11650	Doppelnippel	Double nipple	38	74423556	Ansatzschraube	Shoulder screw	78	7449513	Schlauchtülle	Hose nozzle
7	Z11651	Winkelstück	Supporting angle piece	39	Z11521	Winkelverschr.	Square coupling screw	79	7441793a	Schl.-Kupplung	Hose coupling
8	7422244	Schl.-Verschr.	Hose coupling screw	40	Z11521	Übertrag.-Hebel	Transmission lever	Z 117-52			
9	Z12549	Zugfeder	Draw spring	41	10019150	Gew.-Stift	Threaded stud				
10	Z11625	Mitnehmer	Carrier	42	MG8/7d	6kt.-Mutter	Hexagonal nut				
11	10019130	Schraube	Screw	43	7442208	Schelle	Clip	80	Z117571	Pneum. Lüftung und Stichstellerbetätigung kpl. (best. aus Pos. 2 bis 30, 32 bis 79 und 81)	Pneumatic lifting and stitch guide operating cpl. (cons. of pos. 2 up to 30, 32 up to 79 and 81)
12	Z25129	Sicherungsring	Circlip	44	Z11688	Zyl.-Schraube	Cyl. head screw	Z 117-53			
13	Z55680	Zyl.-Schraube	Cyl. head screw	45	P121125	Nagelschelle	Nail clip				
14	Z11616	Stichstellergriff (mit Pos. 15 bis 18)	Stitch guide handle (with pos. 15 up to 18)	46	Z115446	Magnetventil kpl. (best. aus Pos. 47 bis 57)	Solenoid valve cpl. (cons. of pos. 47 up to 57)	81	Z132010	Buchse	Bush
15	Z11571	Rändelmutter	Knurled nut	47	Z11581	Leitung (mit Kabelkopf)	Cable (with cable pot-head)				
16	Z11570	Anschlagsschraube	Stop screw	48	Z797312	Magnetventil	Solenoid valve				
17	Z65045	Druckfeder	Pressure spring	49	MG41/1124	Stecker	6-pole plug				
18	Z11568	Kugel	Ball	50	Z115447	Leitung	Cable	82	Z117581	Pneum. Lüftung und Stichstellerbetätigung kpl. (best. aus Pos. 2 bis 30, 34 bis 79, 83 bis 86)	Pneumatic lifting and stitch guide operating cpl. (cons. of pos. 2 up to 30, 34 up to 79, 83 up to 86)
19	Z11630	Anschlagwinkel	Back square	51	Z115448	Leitung	Cable				
20	Z557263	Scheibe	Washer	52	Z739494	Kupplung	Coupling				
21	Z11643	Gummipuffer	Rubber buffer	53	Z11595	(Hebiflex-) Schlauch	Hebiflex tube				
22	Z55680	Zyl.-Schraube	Cyl. head screw	54	Z7421535	Druckschraube	Pressure screw				
23	Z11572a	Anschlagblech	Stop plate	55	MG41/1126	Endtaster	Final touch contact				
24	Z11641k	Sitzventil kpl. (best. aus Pos. 25 bis 28)	Seat valve cpl. (cons. of pos. 25 up to 28)	56	Z11597	Erweiter.-Stück	Enlargement piece	83	Z116191	Lasche	Shackle
25	Z11641a	(Dreiwege-)Sitzventil	Three-way valve	57	Z739311	Diode	Diode	84	Z125412	Lagerbolzen	Bearing bolt
26	Z7422244	Schl.-Verschr.	Hose coupling screw	58	Z11533a	Platte	Plate	85	Z16406	Zyl.-Schraube	Cyl. head screw
27	Z11647	Drosselventil	Throttle valve	59	Z5692900	Schraube	Screw	86	Z055147	Scheibe	Washer
28	Z11648	Abdeckmutter	Special nut	60	Z7422238	Schl.-Verschr.	Hose coupling screw	Z 117-54			
29	Z117126	Aufnahme (mit Pos. 30)	Uptake (with pos. 30)	61	MG41/1364	Holzschraube	Wood screw				
30	Z16589	Gew.-Stift	Threaded stud	62	Z74423566	Schl.-Verschr.	Hose coupling	87	Z117591	Pneum. Lüftung und Stichstellerbetätigung kpl. (best. aus Pos. 2 bis 33, 35 bis 79, 88 bis 93)	Pneumatic lifting and stitch guide operating cpl. (cons. of pos. 2 up to 33, 35 up to 79, 88 up to 93)
31	Z11635	Aufnahmekloben (mit Pos. 32)	Uptake block (with pos. 32)	63	Z11541k	Platte kpl. (best. aus Pos. 64 bis 69)	Plate cpl. (cons. of pos. 64 up to 69)				
32	Z16377	Zyl.-Schraube	Cyl. head screw	64	Z11541	Platte	Plate	88	Z1171105	Zylinder kpl. (mit Pos. 35 bis 39)	Cylinder cpl. (with pos. 35 up to 39)
				65	Z11551	Hebel	Lever				
				66	Z11100a	Sicher.-Scheibe	Safety washer				
				67	Z216359	Gew.-Bolzen	Threaded bolt				
				68	Z557263	Scheibe	Washer				
				69	MG43/408	6kt.-Mutter	Hexagonal nut	89	Z1171110	Winkel	Angle
				70	Z7441658	6kt.-Schraube	Hexagonal screw	90	Z1171108	Bef.-Winkel	Angle bracket
				71	Z202704	6kt.-Mutter	Hexagonal nut	91	Z5691895	Scheibe	Washer
				72	Z5691895	Scheibe	Washer	92	Z223700	Zyl.-Schraube	Cyl. head screw
								93	Z7395347	Senkschraube	Countersunk screw

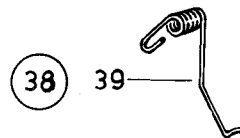
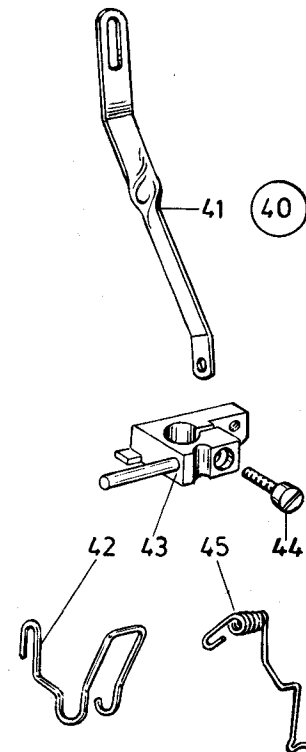
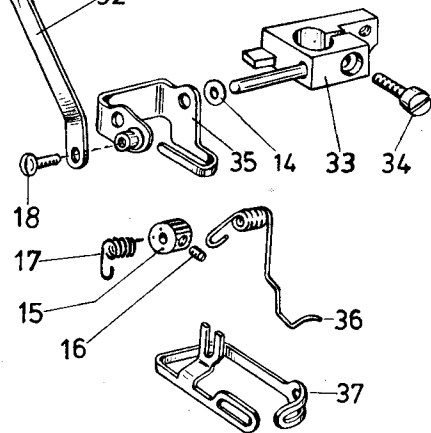
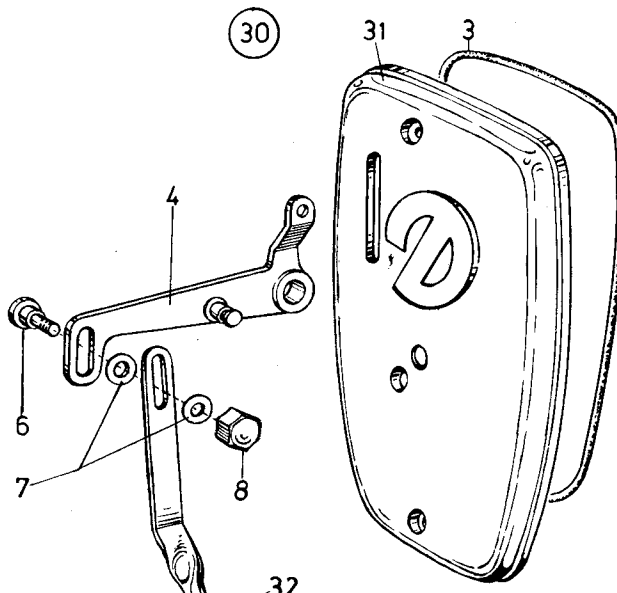
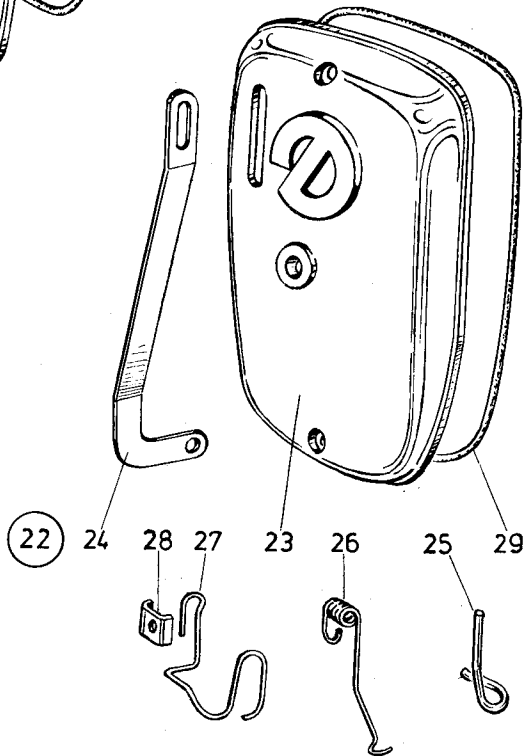
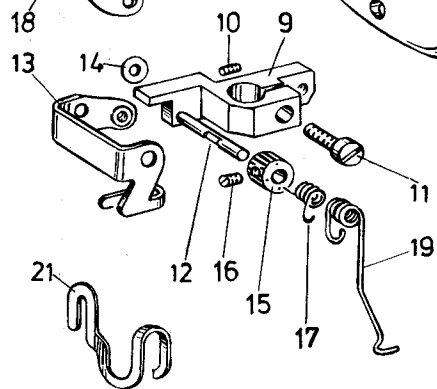
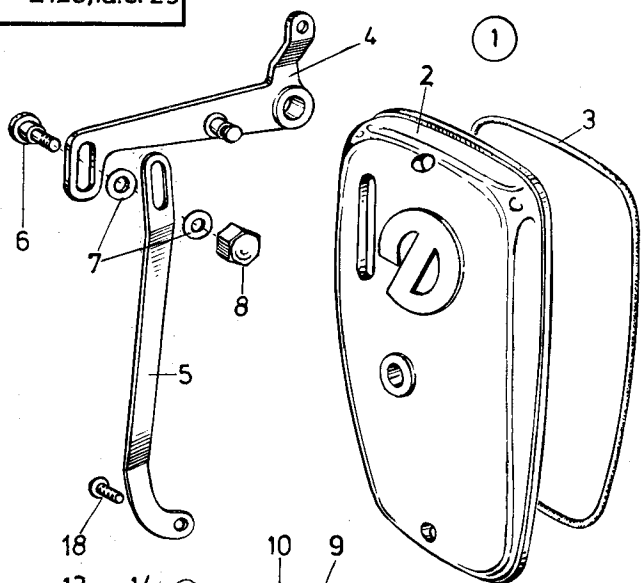


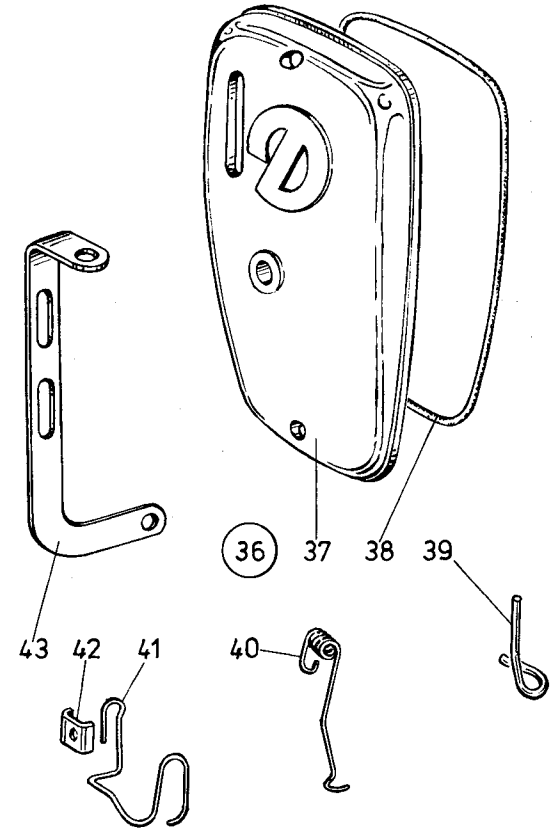
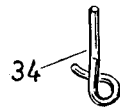
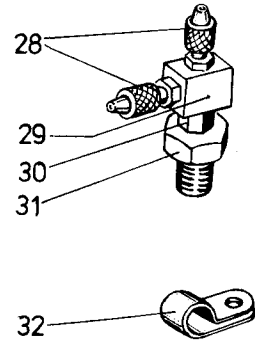
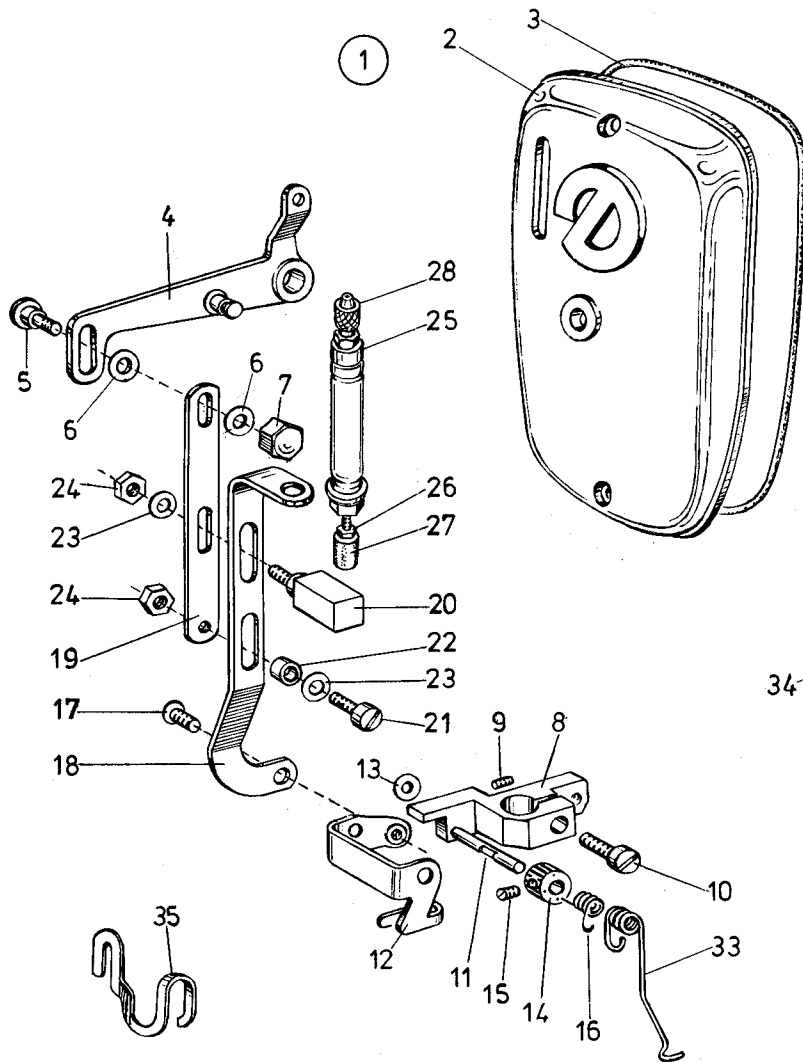
Pos. Det.	Teile Nr. Part No.	Benennung	Denomination	Pos. Det.	Teile Nr. Part No.	Benennung	Denomination	Pos. Det.	Teile Nr. Part No.	Benennung	Denomination
Z 117-121				33	74423556	Schl.-Verschr.	Hose coupling screw				
1	Z117941	Elektro-pneumatische Lüftung und Stichstellerbetätigung kpl. (best. aus Pos. 2 bis 65)	Electro-pneumatic lifting and stitch guide operating cpl. (cons. of pos. 2 up to 65)	34	Z115422	Kloben (mit Pos. 35)	Block (with pos. 35)				
2	Z11641k	Sitzventil kpl. (best. aus Pos. 3 bis 6)	Seat valve cpl. (cons. of pos. 3 up to 6)	35	216377	Zyl.-Schraube	Cyl. head screw				
3	Z11641a	(Dreiwege-)Sitzventil	Three-way valve	36	213370	Zyl.-Schraube	Cyl. head screw				
4	7422244	Schl.-Verschr.	Hose coupling screw	37	Z115427	Hebel	Lever				
5	Z11647	Drosselventil	Throttle valve	38	Z115408	Drehfeder	Torsion spring				
6	Z11648	Abdeckmutter	Special nut	39	249440	Ölwanne	Oil tray				
7	Z117126	Aufnahme (mit Pos. 8)	Uptake (with pos. 8)	40	Z115514	Magnetventil kpl. (best. aus Pos. 41 bis 45)	Solenoid valve cpl. (cons. of pos. 41 up to 45)				
8	216589	Gew.-Stift	Threaded stud	41	Z115511	Leitung (mit Kabelkopf)	Cable (with cable pot-head)				
9	Z116258	Winkel	Angle	42	797312	Magnetventil	Solenoid valve				
10	01275	Zyl.-Schraube	Cyl. head screw	43	MG41/1124	Stecker	6-pole plug				
11	24940331	Platte	Plate	44	739494	Kupplung	Coupling				
12	04378	Zyl.-Schraube	Cyl. head screw	45	Z127762	Leitung	Cable				
13	7421556	Scheibe	Washer	46	74423566	Schl.-Verschr.	Hose coupling screw				
14	24940345	Kloben (mit Pos. 15)	Block (with pos. 15)	47	7422238	Schl.-Verschr.	Hose coupling screw				
15	93910071	6kt.-Schraube	Hexagonal screw	48	Z11533a	Platte	Plate				
16	Z11816	Druckstück	Thrust piece	49	5692900	Schraube	Screw				
17	23810356	Klemmkloben (mit Pos. 18)	Clamping block (with pos. 18)	50	MG41/1364	Holzschraube	Wood screw				
18	21267	6kt.-Schraube	Hexagonal screw	51	MG43/431	Gestänge kpl. (best. aus Pos. 52 bis 58)	Rods cpl. (cons. of pos. 52 up to 58)				
19	24940354	Bügel	bow	52	MG43/432	Gestängeführung	Rods guidance				
20	570118	Scheibe	Washer	53	211/10801	stange	Rod				
21	7101450	Holzschraube	Wood screw	54	556607	Zyl.-Schraube	Cyl. head screw				
22	7421556	Scheibe	Washer	55	570562	Druckfeder	Pressure spring				
23	7422241	Zylinder kpl. (mit Pos. 24)	Cylinder cpl. (with pos. 24)	56	MG43/409	6kt.-Mutter	Hexagonal nut				
24	7441884	6kt.-Mutter	Hexagonal nut	57	5562267	Kugelgelenk	Ball-and-socket joint				
25	P12153	Winkelstück	Bend elbow	58	MG43/2510	Scheibe	Washer				
26	7422238	Schl.-Verschr.	Hose coupling screw	59	72171	Anschlußschlauch kpl. (best. aus Pos. 60 bis 64)	Coupling hose cpl. (cons. of pos. 60 up to 64)				
27	P121125	Nagelschelle	Nail clip	60	Z11577	Anschl.-Schlauch	Coupling hose				
28	23810281	Führungsbock	Guide stand	61	7422096	Schlauchklemme	Hose clip				
29	Z11661	Reduzierstück	Reducer	62	7441793a	Schl.-Kupplung	Hose coupling				
30	7441978	Kabelband	Cable band	63	7449513	Schlauchtülle	Hose sleeve				
31	Z115403	Zylinder kpl. (mit Pos. 32)	Cylinder cpl. (with pos. 32)	64	Z11538	Schlauchtülle	Hose sleeve				
32	Z1159a	Topfmanschette	Cup collar	65	24717a	Skalablech	Scale plate				



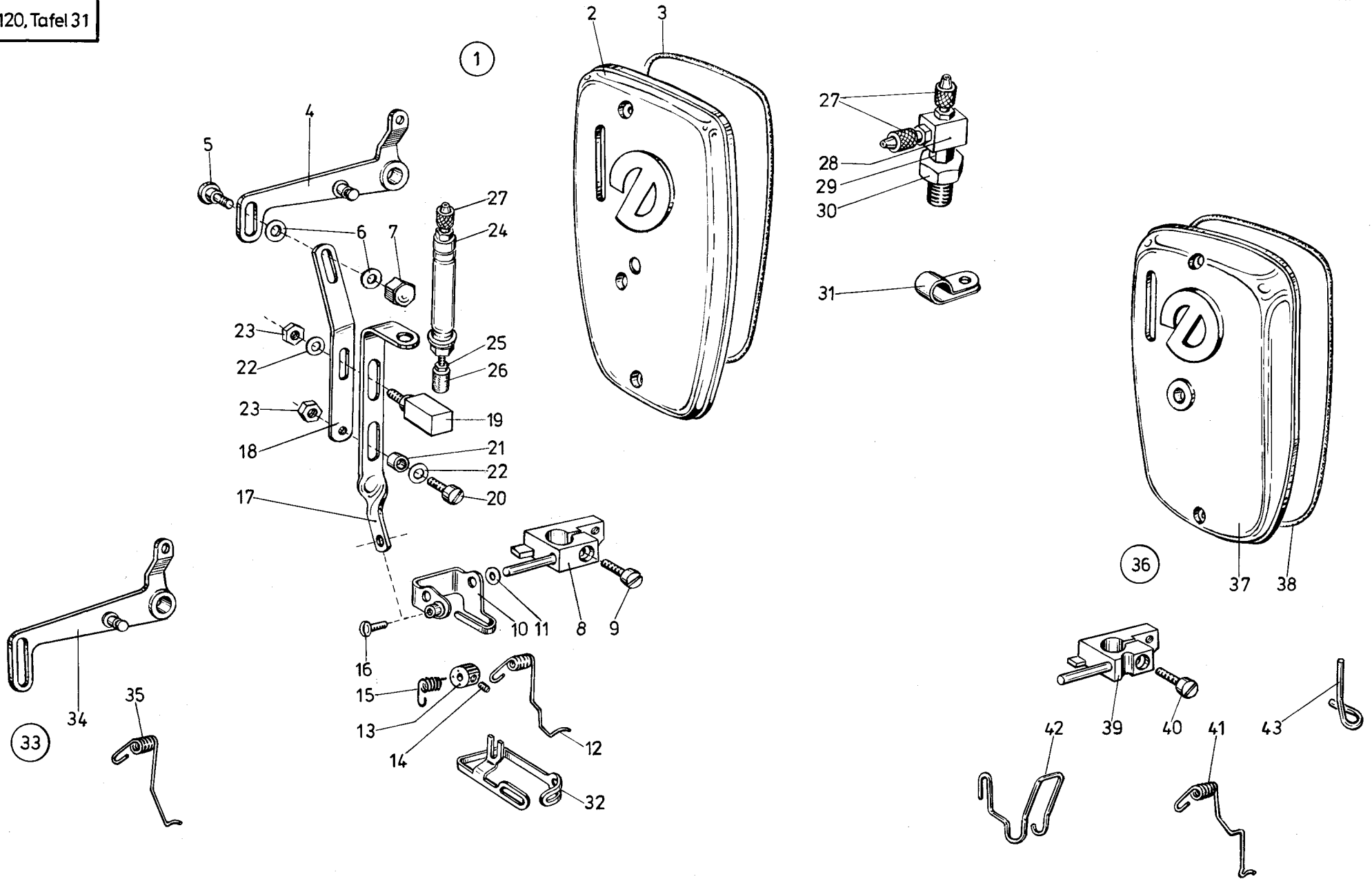
Pos. Det.	Teile Nr. Part No.	Benennung	Denomination	Pos. Det.	Teile Nr. Part No.	Benennung	Denomination	Pos. Det.	Teile Nr. Part No.	Benennung	Denomination
		Z 117-211, -244, -255									
		Z 117-211 mit Taster für Kl. 211-, 212-, 219-15000	Z 117-211 with sensor for Cl. 211-, 212-, 219-15000							Z 117-244 mit Taster für Kl. 243-, 244-15000	Z 117-244 with sensor for Cl. 243-, 244-15000
1	Z 1171601	Fußlüftung mit Handtaster und Verriegelung kpl. (best. aus Pos. 2, 32, 33 bis 55, 56, 81 bis 83)	Foot lifting with hand sensor and locking device cpl. (cons. of pos. 2, 32, 33 up to 55, 56, 81 up to 88)	30	24414607	Ansatzschraube	Shoulder screw	70	Z 1171701	Fußlüftung mit Handtaster und Verriegelung kpl. (best. aus Pos. 2, 32, 33 bis 42, 44, 46, 47, 51 bis 54, 71, 77, 78, 79, 81 bis 84 und Pos. 50 aus Tafel 19)	Foot lifting with hand sensor and locking device cpl. (cons. of pos. 2, 32, 33 up to 42, 44, 46, 47, 51 up to 54, 71, 77, 78, 79, 81 up to 84 and pos. 50 ex table 19)
2	Z 115901	Pneumat. Lüftung kpl. (best. aus Pos. 3, 9 bis 12, 13 bis 31)	Pneumatic lifting cpl. (cons. of pos. 3, 9 up to 12, 13 up to 31)	31	380289	Scheibe	Washer	71	Z 116871	Taster kpl. (best. aus Pos. 59 bis 69, 72 bis 76)	Sensor cpl. (cons. of pos. 59 up to 69 72 up to 76)
3	72171	Anschlußschlauch (mit Pos. 4 bis 8)	Coupling hose (with pos. 4 up to 8)	32	7972312	(Schwenkb.) L-Verschr.	L-Hose coupling screw	72	Z 116873	Schaltblech	Operating plate
4	Z 11538	Schlauchtülle	Hose sleeve	33	Z 116703a	Platte kpl. (mit Pos. 81, 82, 83)	Plate cpl. (with pos. 81, 82, 83)	73	Z 116872	Haltewinkel	Supporting square
5	7422096	Schlauchklemme	Hose clip	34	5564a	Zyl.-Schraube	Cyl. head screw	74	219353	Linsenschraube	Fillister head screw
6	Z 11577	Schlauch	Hose	35	24414547	Zylinder kpl. (mit Pos. 36)	Cylinder cpl. (with pos. 36)	75	739347	Zahnscheibe	Tooth lock washer
7	7449513	Tülle	Sleeve	36	21154075	Lippenring	Lip ring	76	7395105	6kt.-Mutter	Hexagonal nut
8	7441793a	Kupplungsdose	Coupling socket	37	211100a	Sicher.-Scheibe	Safety washer	77	21154248	Lagerbock	Pillow block
9	Z 11661	Reduzierstück	Reducer	38	797319	Magnetventil	Solenoid valve	78	10019129	Zyl.-Schraube	Cyl. head screw
10	Z 11655	Aufnahmestück	Retainer	39	Z 11649	Schalldämpfer	Silencer	79	21255712	Lasche	Shackle
11	560771	Holzschraube	Wood screw	40	746768	Schl.-L-Verschr.	Hose coupling L-screw				
12	7422238	Schl.-Verschr.	Hose coupling screw	41	24414571	Leitung	Cable			Z 117-255 mit Taster für Kl. 212-15155	Z 117-255 with sensor for Cl. 212-15155
13	24414578	Zylinder (mit Pos. 14)	Cylinder (with pos. 14)	42	24414667	Leitung	Cable	80	Z 1171801	Fußlüftung und Handtaster und Verriegelung kpl. (best. aus Pos. 2, 32, 33 bis 42, 44, 46, 47, 51 bis 54, 56, 81 bis 84)	Foot lifting with hand sensor and locking device cpl. (cons. of pos. 2, 32, 33 up to 42, 44, 46, 47, 51 up to 54, 56, 81 up to 84)
14	7461547	Lippenring	Lip ring	43	Z 116717	Hebel	Lever	81	26513743	Winkel	Angle
15	24414602	Lasche	Shackle	44	255129	Sicher.-Scheibe	Safety washer	82	21698	Zyl.-Schraube	Cyl. head screw
16	270631	Zyl.-Schraube	Cyl. head screw	45	21131	Zyl.-Schraube	Cyl. head screw	83	739347	Zahnscheibe	Tooth lock washer
17	24414611	Übertr.-Hebel	Transmission lever	46	557111	Federscheibe	Spring washer	84	7462208	Verbind.-Stück	Joining piece
18	5561676a	Ansatzschraube	Shoulder screw	47	5601941	Schraube	Screw	85	21154023	Verbind.-Stange	Connecting rod
19	557111	Zahnscheibe	Tooth lock washer	48	MG 43/408	6kt.-Mutter	Hexagonal nut	86	213370	Zyl.-Schraube	Cyl. head screw
20	237202	6kt.-Mutter	Hexagonal nut	49	Z 116725	Lagerbock	Pillow block	87	237202	6kt.-Mutter	Hexagonal nut
21	24414619	Anschlagschraube	Stop screw	50	5702382	Senkschraube	Countersunk screw	88	21154671	Zugfeder	Tension spring
22	MG 8/7d	6kt.-Mutter	Hexagonal nut	51	21154247	Platte	Plate				
23	746768	Schl.-L-Verschr.	Hose-L-coupling screw	52	21154241	Blattfeder	Leaf spring				
24	797319	Magnetventil	Solenoid valve	53	21154245	Gewindestift	Threaded stud				
25	Z 11649	Schalldämpfer	Silencer	54	21154246	6kt.-Mutter	Hexagonal nut				
26	24414595	Steckverbindung (mit Leitung)	Plug-in connection (with cable)	55	902602	Schraube	Screw				
27	739404	Zyl.-Schraube	Cyl. head screw	56	Z 116741	Taster kpl. (best. aus Pos. 57 bis 69)	Sensor cpl. (cons. of pos. 57 up to 69)				
28	24414605	Halteblech	Retaining plate	57	Z 116742	Haltewinkel	Supporting angle				
29	270631	Zyl.-Schraube	Cyl. head screw	58	Z 116743	Schaltblech	Operating plate				
				59	10019130	Linsenschraube	Fillister head screw				
				60	2132038	Abstandsbuchse	Distance sleeve				
				61	Z 116747	Lasche	Shackle				
				62	Z 116751	Leitung (Mikrosch.)	Cable (Micro-switch)				
				63	Z 125118	Zyl.-Schraube	Cyl. head screw				
				64	94210318	Schelle	Clip				
				65	223700	Zyl.-Schraube	Cyl. head screw				
				66	21113	Kunststoffmuffe	Plastic sleeve				
				67	7465428	Steckverbinder	Plug-in connection				
				68	Z 151302	Kabelband	Cable band				
				69	Z 116761	Leitung	Cable				



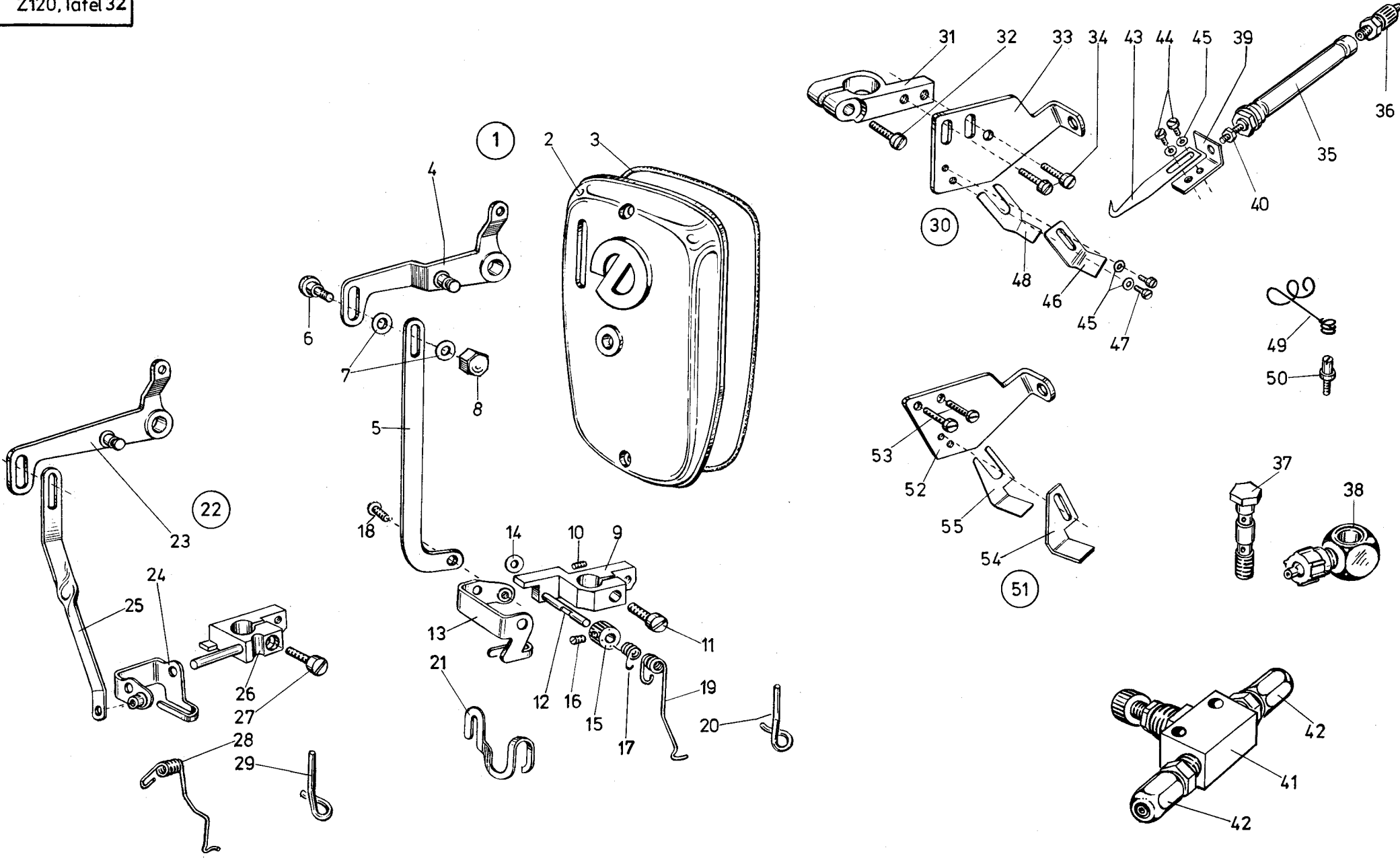




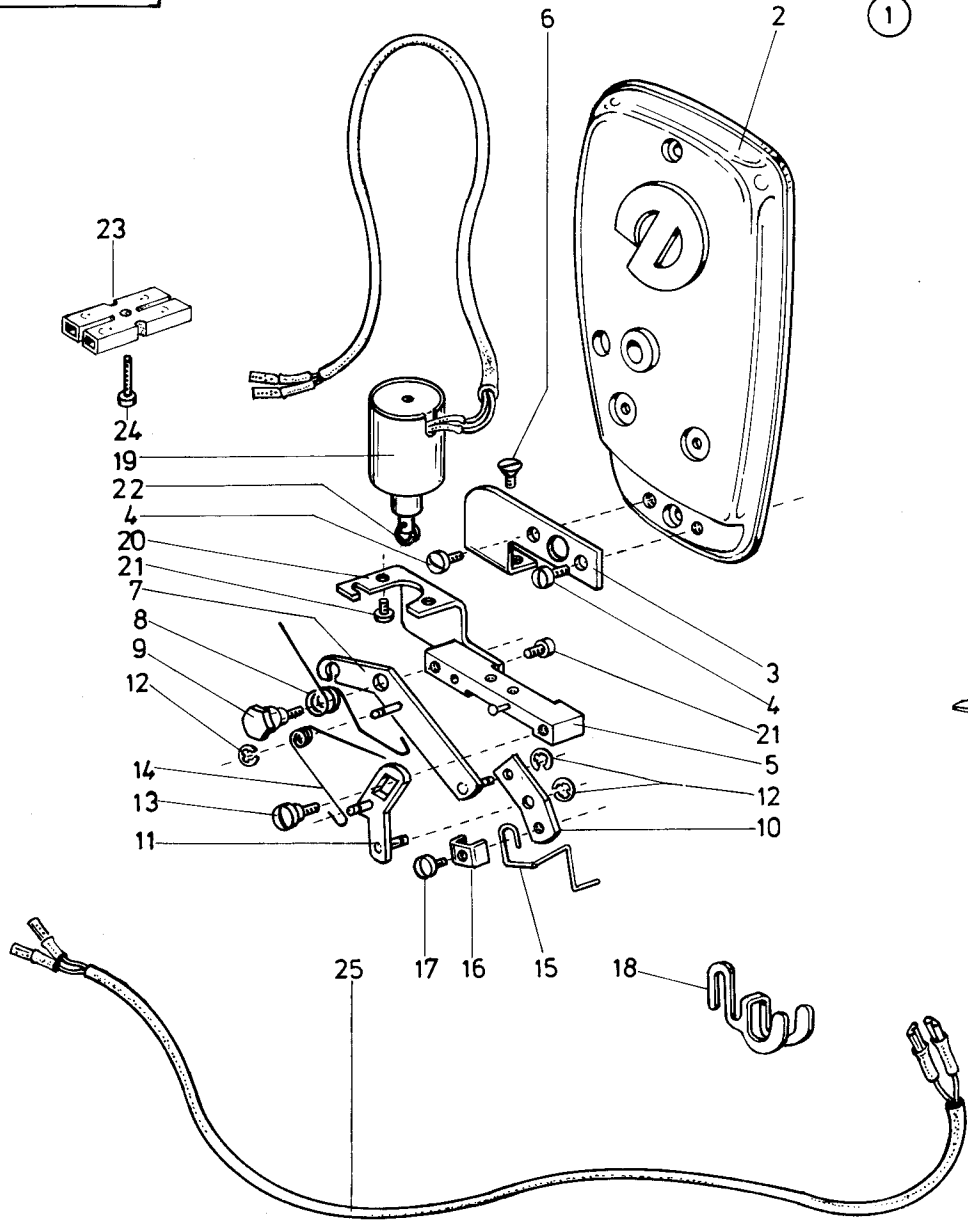
Pos. Det.	Teile Nr. Part No.	Benennung	Denomination	Pos. Det.	Teile Nr. Part No.	Benennung	Denomination	Pos. Det.	Teile Nr. Part No.	Benennung	Denomination
<u>Z 120-11; -12</u>											
Z 120-11				Z 120-12							
1	Z120341	Pneumat. Faden- wischer kpl. (best. aus Pos. 2 bis 35)	Pneumatic thread wiper cpl. (cons. of pos. 2 up to 35)	36	Z120401	Pneumat. Faden- wischer kpl. (best. aus Pos. 4 bis bis 11, 13, 14, 15, 16, 18 bis 32 und 37 bis 43)	Pneumatic thread wiper cpl. (cons. of pos. 4 up to 11, 13, 14, 15, 16, 18 up to 32 and 37 up to 43)				
2	Z120163	Kopfdeckel (mit Pos. 30)	Face plate (with pos. 3)	37	Z120203	Kopfdeckel (mit Pos. 38)	Face plate (with pos. 38)				
3	216471	Rundschnurring	Round cord ring	38	212297	Rundschnurring	Round cord ring				
4	Z120106	Hebel	Lever	39	Z120207	Fadenöse	Thread eye				
5	Z120112	Ansatzschraube	Shoulder screw	40	Z120208	Fadenwischer	Thread wiper				
6	024275	Scheibe	Washer	41	Z120209	Fingerschutz	Finger guard				
7	7422203	Hutmutter	Dome nut	42	931157	Klemmstück	Clamp				
8	Z120166	Kloben (mit Pos. 9, 10, 11)	Block (with pos. 9, 10, 11)	43	Z120427	Wischerzugstange	Wiper traction rod				
9	21688	Gew.-Stift	Threaded stud								
10	213370	Zyl.-Schraube	Cyl. head screw								
11	Z120169	Bolzen	Bolt								
12	Z120171	Wischerhebel	Wiper arm								
13	902514	Scheibe	Washer								
14	Z120135	Stellring (mit Pos. 15)	Set collar (with pos. 15)								
15	531464	Gew.-Stift	Threaded stud								
16	Z120139	Drehfeder	Torsion spring								
17	911339	Schraube	Fillister head screw								
18	Z120347	Wischerzugstange	Wiper traction rod								
19	Z120348	Zugstange	Traction rod								
20	Z120349	Anschlagstift	Stop pin								
21	216120	Zyl.-Schraube	Cyl. head screw								
22	2132038	Buchse	Distance bush								
23	5691895	Scheibe	Washer								
24	202704	Mutter	Hexagonal nut								
25	Z120356	Zylinder	Cylinder								
26	5511824	6kt.-Mutter	Hexagonal nut								
27	Z120358	Druckstück	Thrust piece								
28	7422244	Schl.-Verschr.	Hose coupling screw								
29	7449183	T-Stück	T-piece								
30	Z120362	Reduzierstück	Reducer								
31	Z11650	Doppelnippel	Double nipple								
32	7442208	Schelle	Fastening clip								
33	Z120174	Fadenwischer	Thread wiper								
34	Z120176	Fadenöse	Thread eye								
35	Z120178	Fingerschutz	Finger guard								



Pos. Det.	Teile Nr. Part No.	Benennung	Denomination	Pos. Det.	Teile Nr. Part No.	Benennung	Denomination	Pos. Det.	Teile Nr. Part No.	Benennung	Denomination
<u>Z 120-15;-19</u>											
Z 120-15											
1	Z120601	Pneumat. Faden- wischer kpl. (best. aus Pos. 2 bis 31)	Pneumatic thread wiper arm assembly cpl. (cons. of pos. 2 up to 31)	33	Z120627	Pneumat. Faden- wischer kpl. (best. aus Pos. 2, 4 bis 11, 13 bis 31, 33, 34) für Kl. 265-115135	Pneumatic thread wiper arm assembly cpl. (cons. of pos. 2, 4 up to 11, 13 up to 31, 33, 34) for Cl. 265-115135				
2	Z120103	Kopfdeckel (mit Pos. 3)	Face plate (with pos. 3)	34	Z120158	Hebel	Lever				
3	216471	Gummischnur	Round cord ring	35	Z120153	Fadenwischer	Thread wiper				
4	Z120106	Hebel	Lever	Z 120-19							
5	Z120112	Ansatzschraube	Shoulder screw	36	Z120491	Pneumat. Faden- wischer kpl. (best. aus Pos. 4 bis 7, 10, 11, 13 bis 16, 37 bis 43)	Pneumatic thread wiper arm assembly cpl. (cons. of pos. 4 up to 7, 10, 11, 13 up to 16, 37 up to 43)				
6	024275	Scheibe	Washer	37	Z120203	Kopfdeckel (mit Pos. 38)	Face plate (with pos. 38)				
7	7422203	Hutmutter	Dome nut	38	212297	Gummischnur	Round cord ring				
8	Z120117	kloben (mit Pos. 9)	Block (with pos. 9)	39	Z120195	Kloben (mit Pos. 40)	Block (with pos. 40)				
9	213370	Zyl.-Schraube	Cyl. head screw	40	213370	Zyl.-Schraube	Cyl. head screw				
10	Z120124	Wischerhebel	Wiper arm	41	Z120198	Fadenwischer	Thread wiper				
11	902514	Scheibe	Washer	42	Z120194	Fingerschutz	Finger guard				
12	Z120131	Fadenwischer	Thread wiper	43	Z120207	Fadenöse	Thread eye				
13	Z120135	Stellring (mit Pos. 14)	Set collar (with pos. 14)								
14	531464	Gew.-Stift	Threaded stud								
15	Z120139	Drehfeder	Torsion spring								
16	911339	Schraube	Fillister head screw								
17	Z120507	Wischerzugstange	Wiper traction rod								
18	Z120508	Zugstange	Traction rod								
19	Z120349	Anschlagstift	Stop pin								
20	216120	Zyl.-Schraube	Cyl. head screw								
21	2132038	Buchse	Distance bush								
22	5691895	Scheibe	Washer								
23	202704	6kt.-Mutter	Hexagonal nut								
24	Z120356	Zylinder	Cylinder								
25	5311824	6kt.-Mutter	Hexagonal nut								
26	Z120358	Druckstück	Thrust piece								
27	7422244	Schl.-Verschr.	Hose coupling screw								
28	7449183	T-Stück	T-piece								
29	Z120362	Reduzierstück	Reducer								
30	Z11650	Doppelnippel	Double nipple								
31	7442208	Schelle	Fastening clip								
32	Z120133	Fingerschutz	Finger guard								

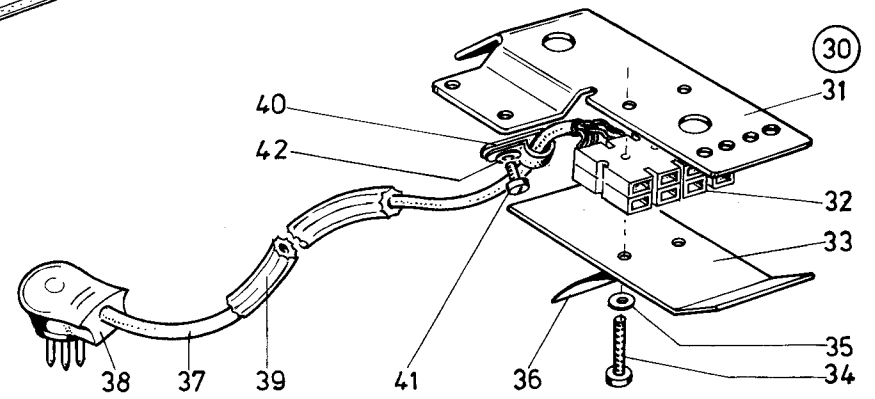
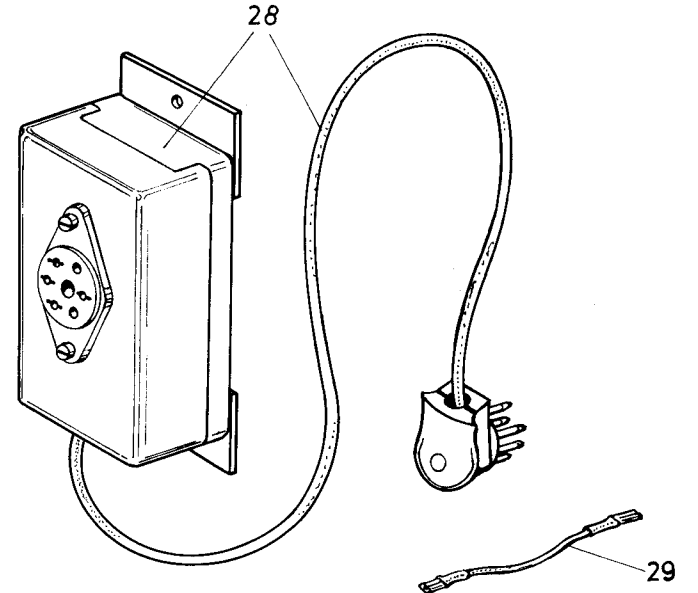
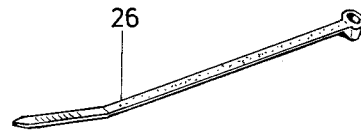


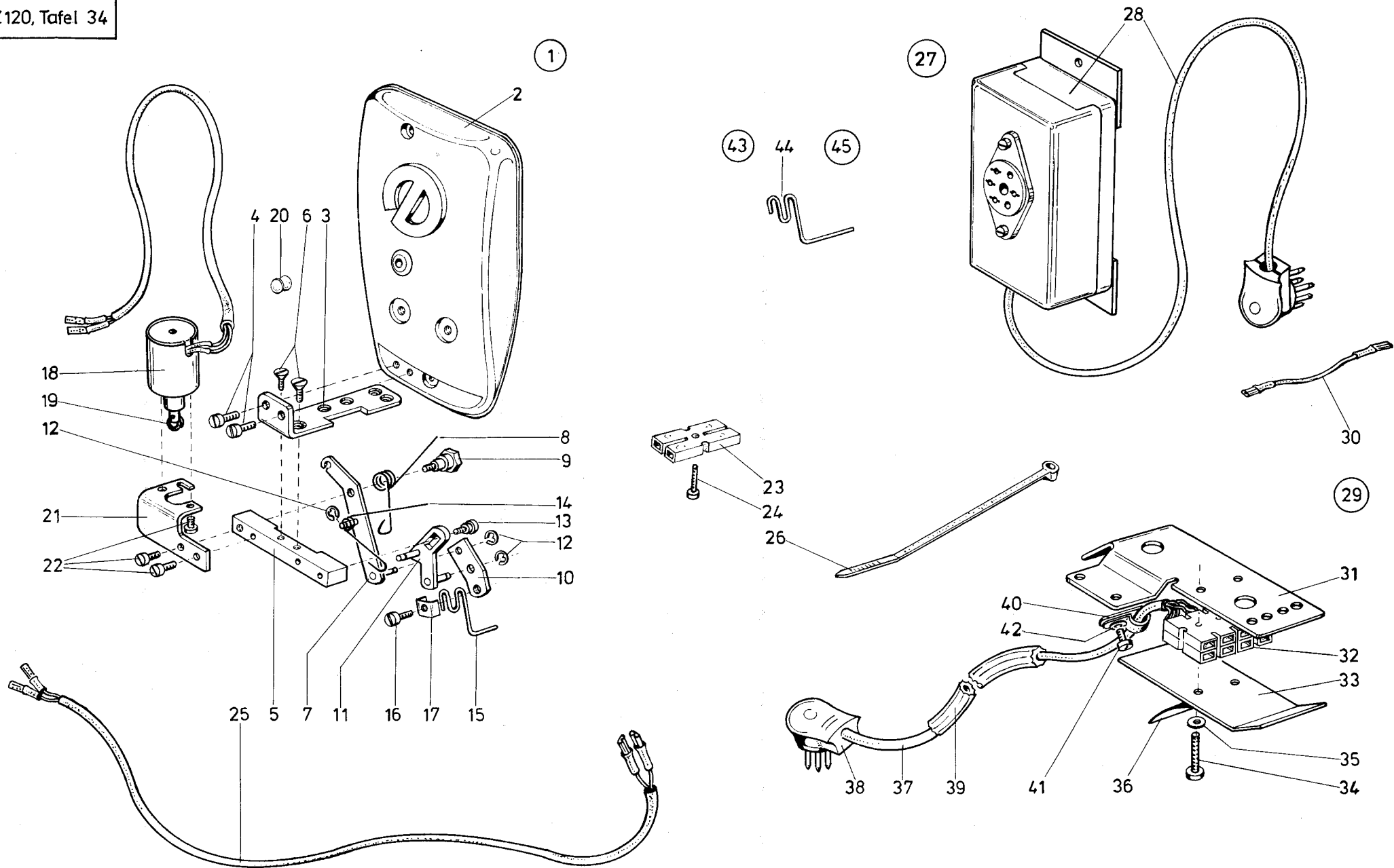
Pos. Det.	Teile Nr. Part No.	Benennung	Denomination	Pos. Det.	Teile Nr. Part No.	Benennung	Denomination	Pos. Det.	Teile Nr. Part No.	Benennung	Denomination
Z 120-33; -39; -43; -49											
Z 120-33											
1	Z120221	Fadenwischer kpl. (best. aus Pos. 2 bis 21)	Thread wiper arm assembly cpl. (cons. of pos. 2 up to 21)	28	Z120243	Fadenwischer	Thread wiper				
2	Z120203	Kopfdeckel (mit Pos. 3)	Face plate (with pos. 3)	29	Z120207	Fadenöse	Thread eye				
3	212297	Gummischnur	Round cord ring	Z 120-43							
4	Z120276	Hebel	Lever	30	Z120701	Pneumat. Faden- wischer kpl. (best. aus Pos. 31 bis 50)	Pneumatic thread wiper arm assembly cpl. (cons. of pos. 31 up to 50)				
5	Z120226	Zugstange	Traction rod	31	Z120702	Klemmstück (mit Pos. 32)	Clamping device (with pos. 32)				
6	Z120112	Ansatzschraube	Shoulder screw	32	21646	Zyl.-Schraube	Cyl. head screw				
7	024275	Scheibe	Washer	33	Z120706	Halteplatte	Holding plate				
8	7422203	Hutmutter	Dome nut	34	739255	Zyl.-Schraube	Cyl. head screw				
9	Z120166	Kloben (mit Pos. 10, 11, 12)	Block cpl. (with pos. 10, 11, 12)	35	Z120709	Zylinder	Cylinder				
10	21688	Gew.-Stift	Threaded stud	36	7221139	Schl.-Verschr.	Hose coupling screw				
11	213370	Zyl.-Schraube	Cyl. head screw	37	Z120712	Höhlenschraube	Banjo bolt				
12	Z120169	Bolzen	Bolt	38	74427746	Ringstück	Ring collar				
13	Z120171	Wischerhebel	Wiper arm	39	Z120715	Haltewinkel	Fastening square				
14	902514	Scheibe	Washer	40	93363982	Mutter	Nut				
15	Z120135	Stellring (mit Pos. 16)	Set collar (with pos. 16)	41	7441820	Ventil	Throttle reflux valve				
16	531464	Gew.-Stift	Threaded stud	42	74423566	Schl.-Verschr.	Hose coupling screw				
17	Z120139	Drehfeder	Torsion spring	43	Z120718	Fadenzieher	Thread puller				
18	911339	Schraube	Fillister head screw	44	70263	Zyl.-Schraube	Cyl. head screw				
19	Z120238	Fadenwischer	Thread wiper	45	65064	Scheibe	Washer				
20	Z120176	Fadenöse	Thread eye	46	Z120723	Klemmwinkel	Clamping square				
21	Z120178	Fingerschutz	Finger guard	47	5561686	Zyl.-Schraube	Cyl. head screw				
Z 120-39				48	Z120726	Klemmblech	Clamping plate				
22	Z120241	Fadenwischer kpl. (best. aus Pos. 2, 3, 6, 7, 8, 14, 15, 16, 17, 18 und 23 bis 29)	Thread wiper arm assembly cpl. (cons. of pos. 2, 3, 6, 7, 8, 14, 15, 16, 17, 18 and 23 up to 29)	49	7991612	Kabelhalter	Cable holder				
23	Z120106	Hebel	Lever	50	App.528	Schraube	Screw				
24	Z120124	Wischerhebel	Wiper arm	Z 120-49							
25	Z120193	Zugstange	Traction rod	51	Z120801	Pneumatischer Faden- wischer kpl. (best. aus Pos. 31, 32, 35 bis 45, 47, 49, 50, 52 bis 55)	Pneumatic thread wiper arm assembly cpl. (cons. of pos. 31, 32, 35 up to 45, 47, 49, 50, 52 up to 55)				
26	Z120195	Kloben (mit Pos. 27)	Block (with pos. 27)	52	Z120806	Halteplatte	Holding plate				
27	213370	Zyl.-Schraube	Cyl. head screw	53	223676	Zyl.-Schraube	Cyl. head screw				
				54	Z120823	Klemmwinkel	Clamping square				
				55	Z120826	Klemmblech	Clamping plate				

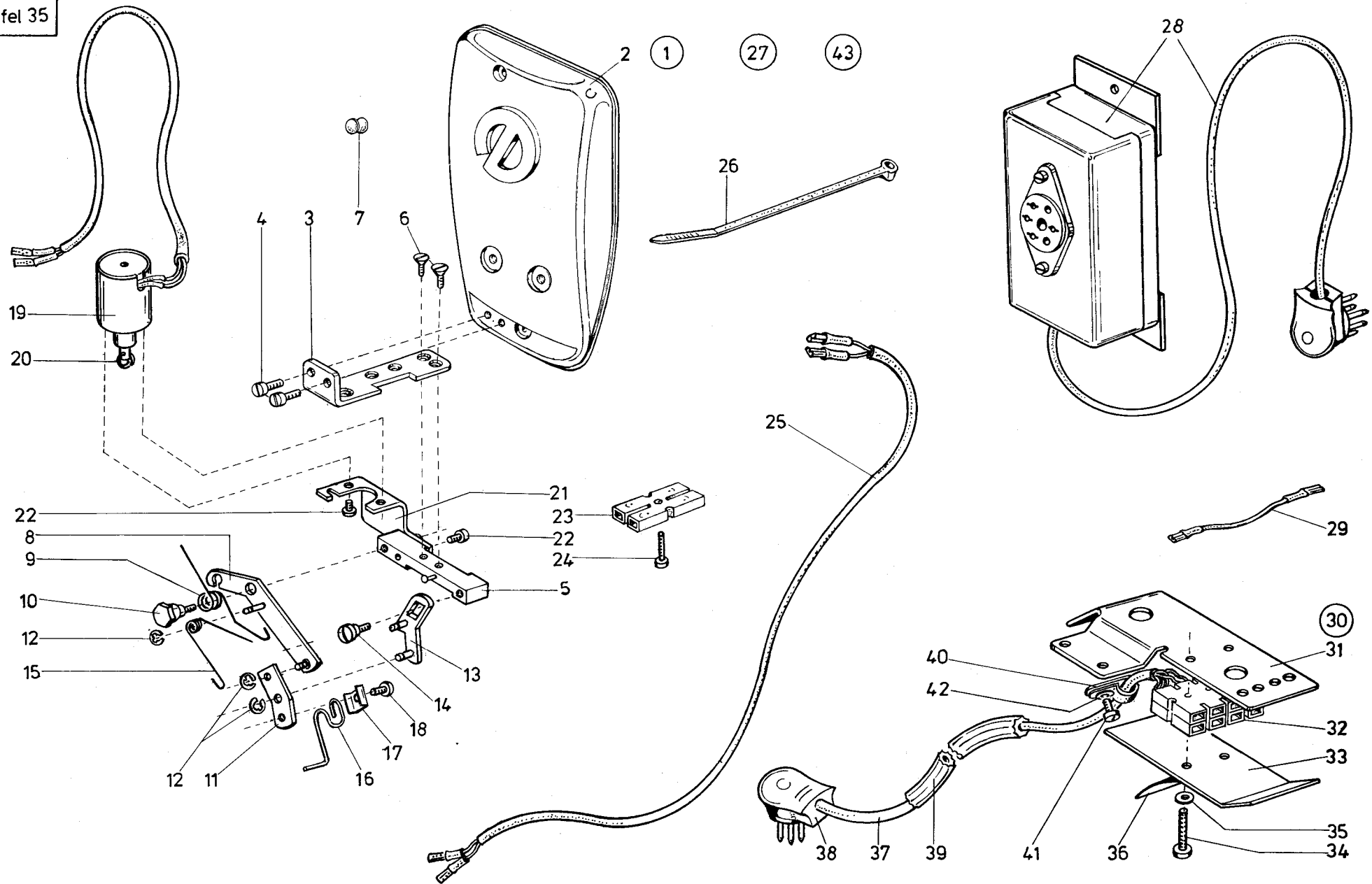


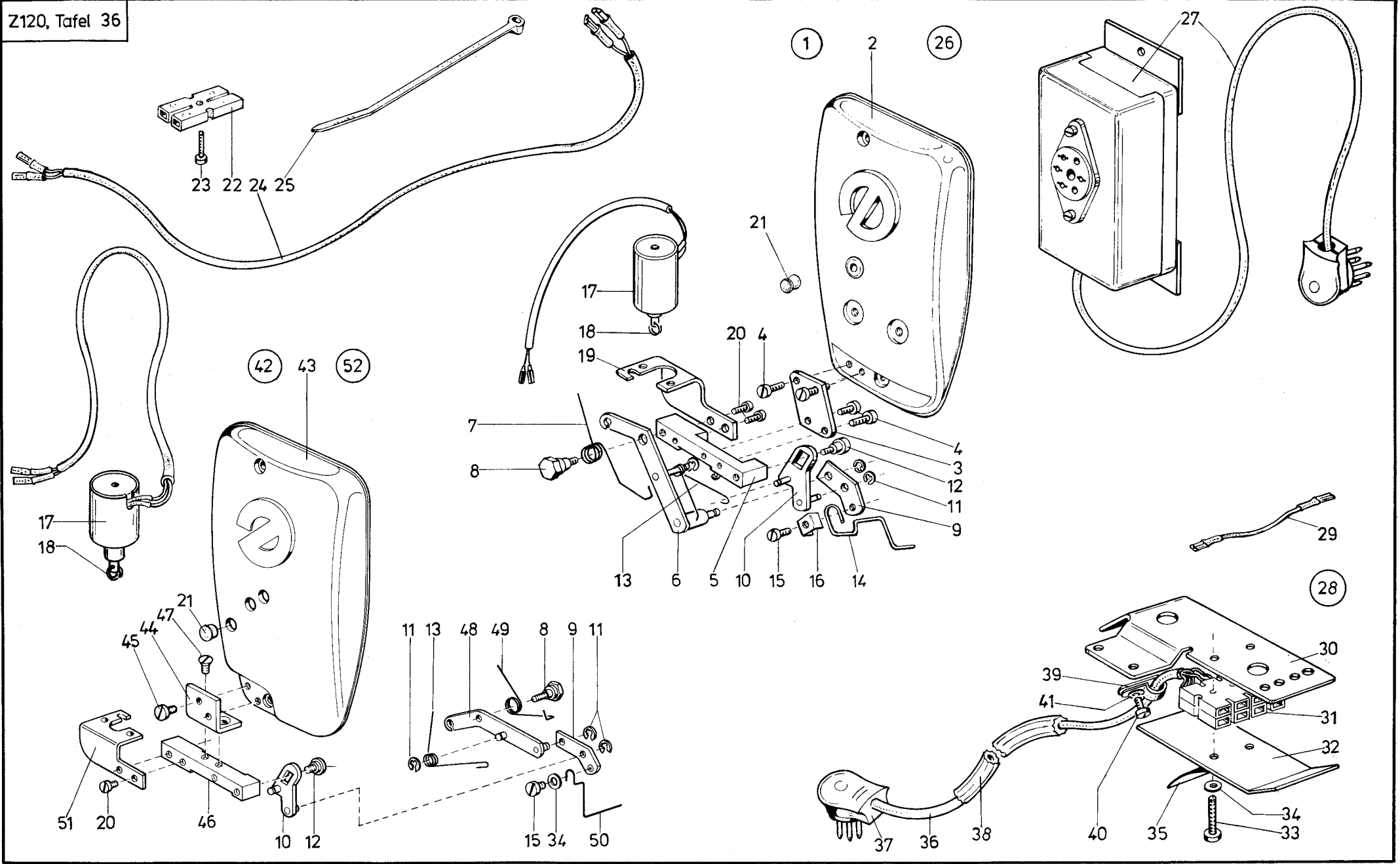
①

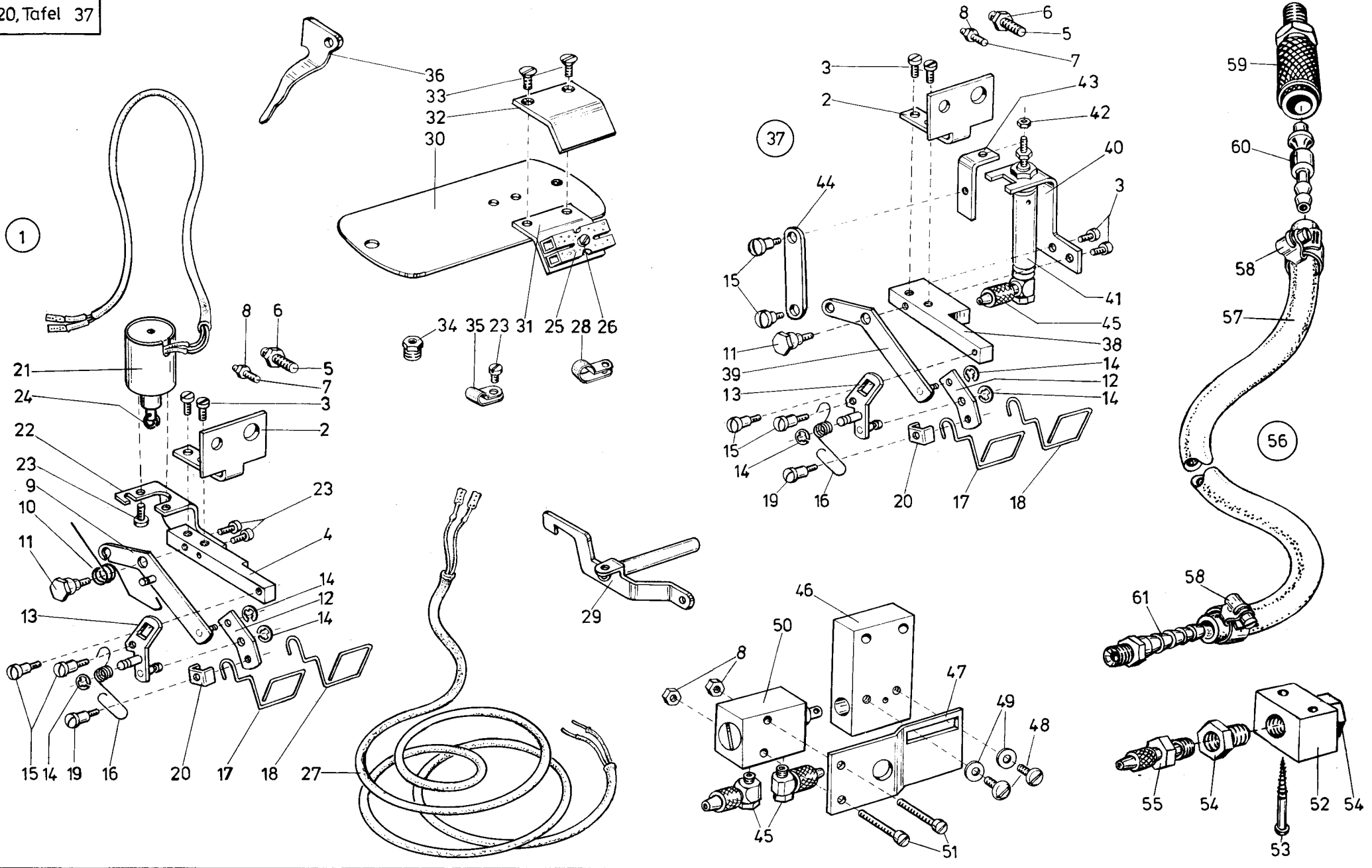
②⑦



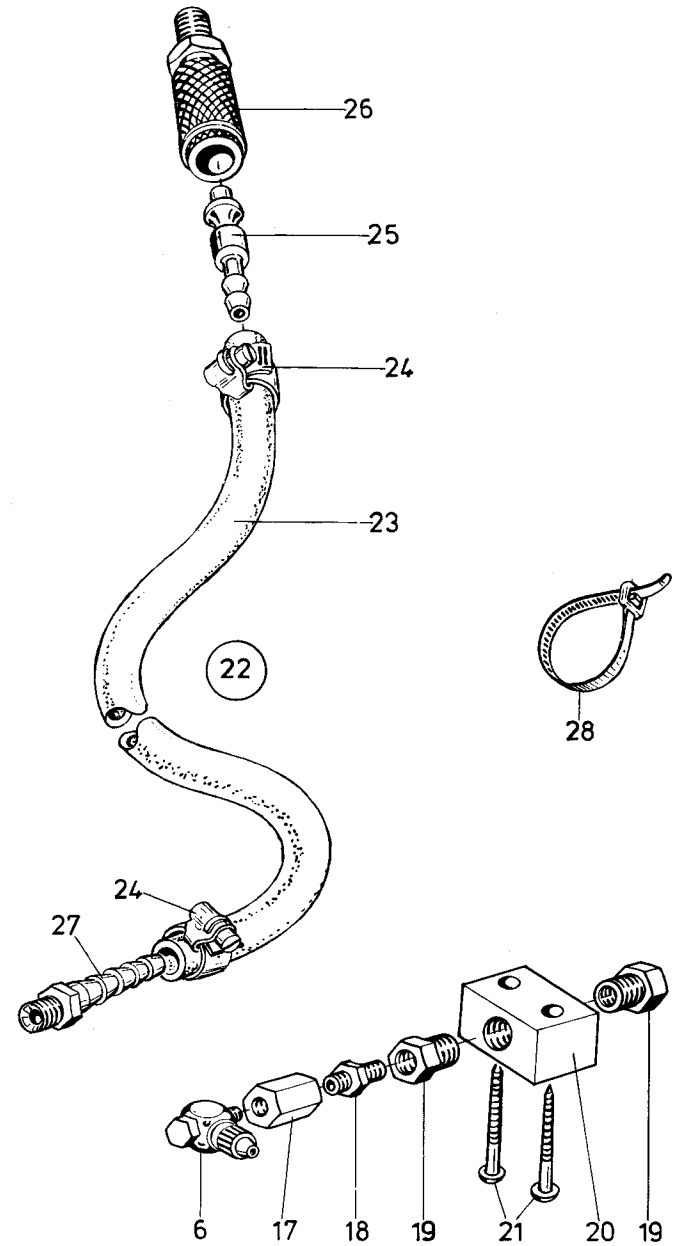
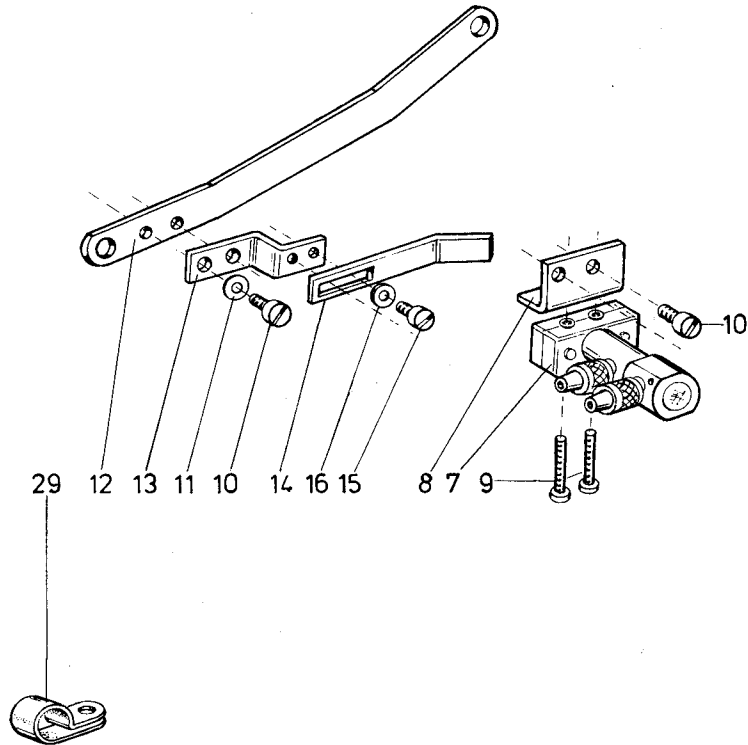
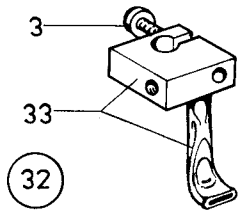
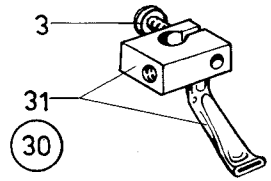
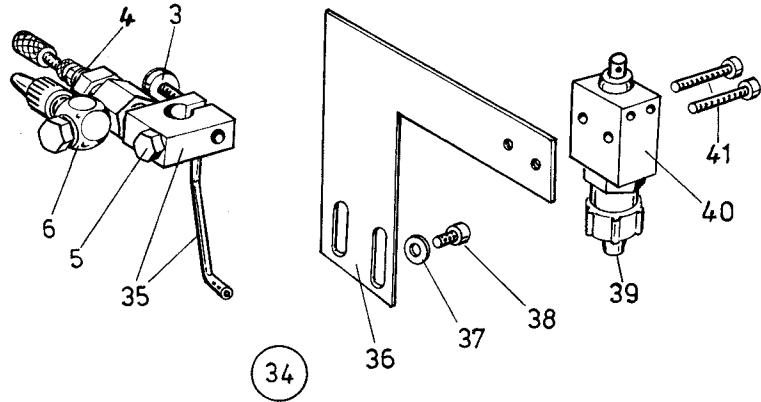
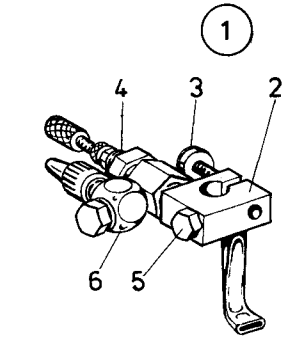








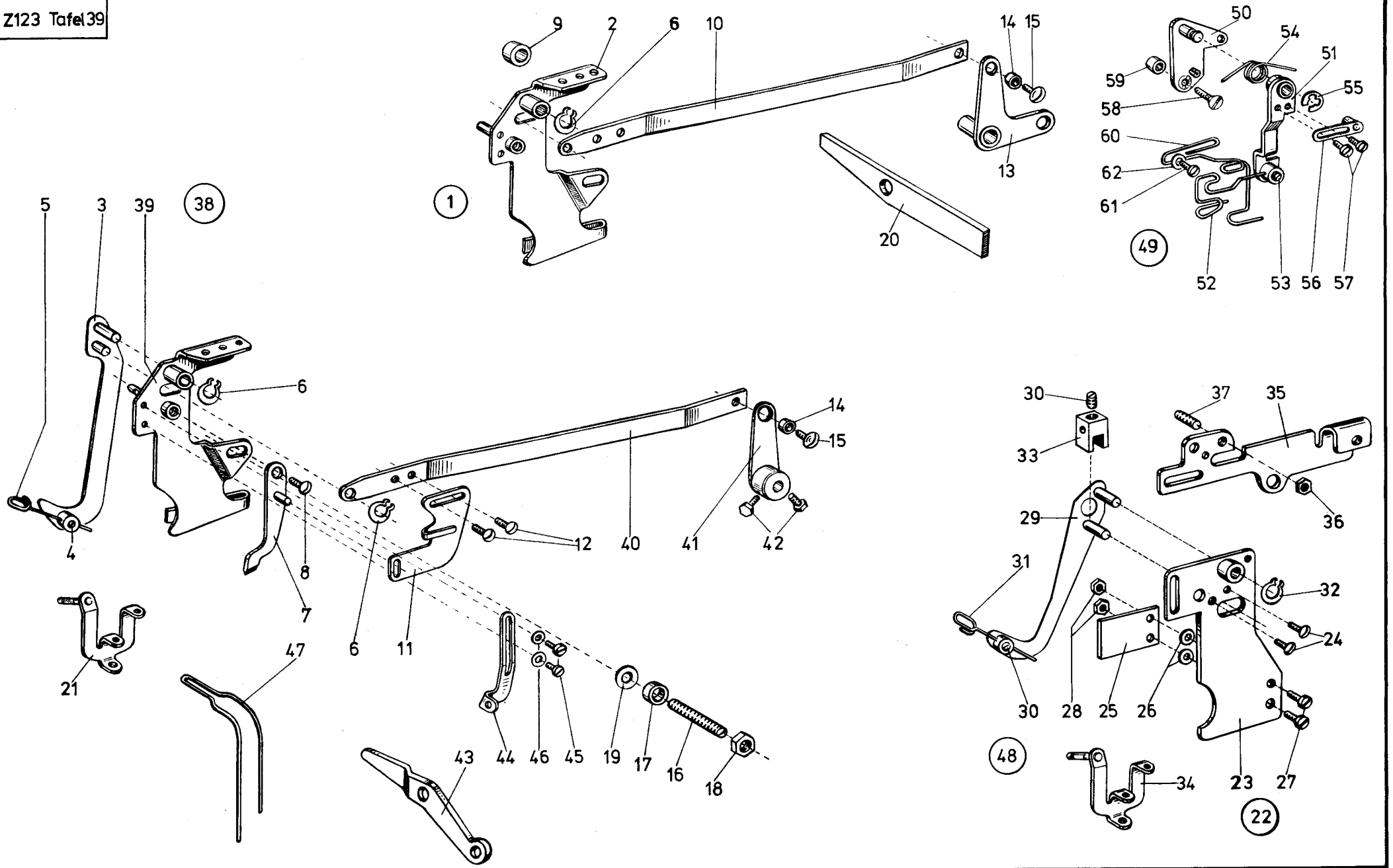
Pos. Det.	Teile Nr. Part No.	Benennung	Denomination	Pos. Det.	Teile Nr. Part No.	Benennung	Denomination	Pos. Det.	Teile Nr. Part No.	Benennung	Denomination
Z 120-380, -1380											
Z 120-380				Z 120-1380							
1	Z1201501	Magnet. Fadenwischer kpl. (best. aus Pos. 2 bis 36)	Magnetic thread wiper cpl. (cons. of pos. 2 up to 36)	37	Z1201601	Pneumat. Fadenwischer kpl. (best. aus Pos. 2, 3, 5 bis 8, 11 bis 20, 23, 29, 34, 35, 36, 38 bis 61)	Pneumatic thread wiper cpl. (cons. of pos. 2, 3, 5 up to 8, 11 up to 20, 23, 29, 34, 35, 36, 38 up to 61)				
2	Z1201504	Winkel	Angle	38	Z1201606	Leiste	Reglet				
3	Z1201504	Zyl.-Schraube	Cyl. head screw	39	Z1201612	Hebel	Lever				
4	Z1201506	Leiste	Reglet	40	Z1201631	Winkel	Angle				
5	5571971	Gew.-Stift	Threaded stud	41	Z120356	Zylinder	Cylinder				
6	249230	6kt.-Mutter	Hexagonal nut	42	5511824	6kt.-Mutter	Hexagonal nut				
7	202708	Gew.-Stift	Threaded stud	43	Z1201636	Winkel	Angle				
8	Z11198	6kt.-Mutter	Hexagonal nut	44	Z1201637	Lasche	Shackle				
9	Z120909	Hebel	Lever	45	746768	Schl.-L-Verschr.	Hose L-coupling screw				
10	Z120914	Drehfeder	Torsion spring	46	Z1201647	Führungsbock	Guide stand				
11	Z120915	Ansatzschraube	Shoulder screw	47	Z1201648	Platte	Plate				
12	Z120917	Gelenkhebel	Articulated lever	48	Z120917	Zyl.-Schraube	Cyl. head screw				
13	Z1201518	Lasche	Shackle	49	024275	Scheibe	Washer				
14	10019228	Sicher.-Scheibe	Safety washer	50	79715	2/3-Wege-Ventil	2/3 Directional control valve				
15	556895	Ansatzschraube	Shoulder screw	51	Z120915	Zyl.-Schraube	Cyl. head screw				
16	Z1201524	Drehfeder	Torsion spring	52	Z11655	Aufnahmestück	Retainer				
17	Z1201526	Wischerdraht	Wiper wire	53	560771	Holzschraube	Wood screw				
18	Z1201527	Wischerdraht	Wiper wire	54	Z11661	Reduzierstück	Reducer				
19	5567375	Ansatzschraube	Shoulder screw	55	7422238	Schl.-Verschr.	Hose coupling screw				
20	Z120929	Halteblech	Plate	56	72171	Anschlußschlauch kpl. (best. aus Pos. 57 bis 61)	Coupling hose cpl. (cons. of pos. 57 up to 61)				
21	Z120931	Hubmagnet kpl.	Lifting magnet cpl.	57	Z11577	Anschl.-Schlauch	Coupling hose				
22	Z120937	Bef.-Winkel	Angle bracket	58	7422096	Schlauchklemme	Hose clip				
23	5561686	Zyl.-Schraube	Cyl. head screw	59	7441793a	Schl.-Kupplung	Hose coupling				
24	Z120939	Ring	Ring	60	7449513	Schlauchtülle	Hose nozzle				
25	7465428	Steckverbinder	Plug type connector	61	Z11538	Schlauchtülle	Hose nozzle				
26	9133206	Zyl.-Schraube	Cyl. head screw								
27	Z116793	Leitung	Cable								
28	7442208	Schelle	Clip								
29	Z1201551	Hebel	Lever								
30	Z1201552	Armdeckel	Arm cover								
31	Z1201553	Winkel (kurz)	Short angle								
32	Z1201554	Winkel (lang)	Long angle								
33	420324	Senkschraube	Countersunk screw								
34	Z1201556	Schraube	Screw								
35	94210318	Schelle	Clip								
36	Z1201559	Lüfterhebel	Lifter lever								



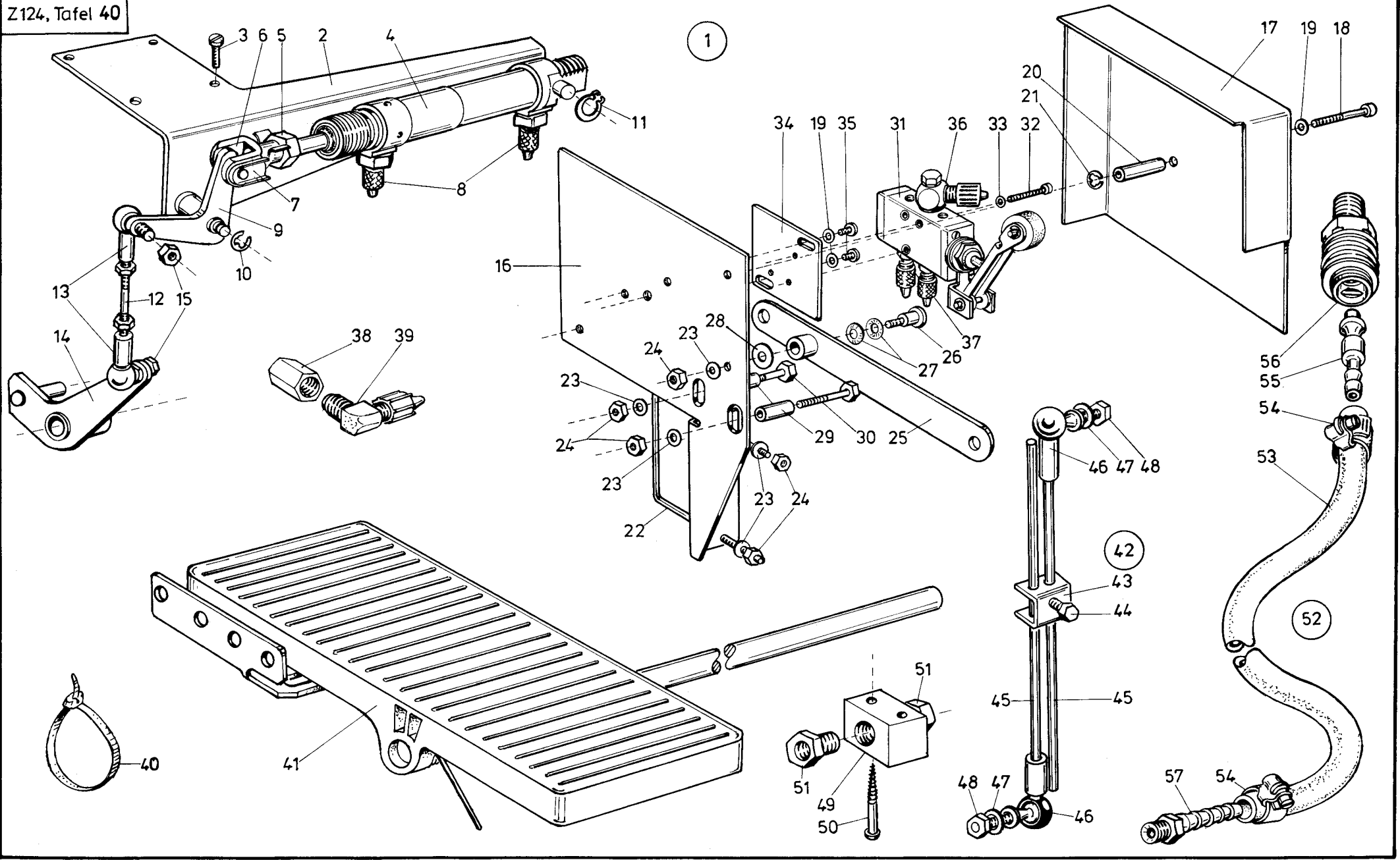
Pos. Det.	Teile Nr. Part No.	Benennung	Denomination
		<u>Z 120-5211, -5212, -5244, -5380</u>	
		Z 120-5211	
1	Z1202101	Oberfadenblas- einrichtung kpl. (best. aus Pos. 2 bis 29)	Upper thread blowing device cpl. (cons. of pos. 2 up to 29)
2	Z1202131	Blasrohr kpl. (mit Pos. 3)	Blow pipe cpl. (with pos. 3)
3	21628	Zyl.-Schraube	Cyl. head screw
4	Z11647	Drosselventil	Throttle valve
5	5701847	Blindstopfen	Blind plug
6	718155	L-Verschraubung	L-coupling screw
7	79718	3/2-Wege-Ventil	3/2-Directional control valve
8	Z1202105	Haltewinkel	Supporting angle
9	10019137	Zyl.-Schraube	Cyl. head screw
10	270631	Zyl.-Schraube	Cyl. head screw
11	74450243	Scheibe	Washer
12	Z1202110	Druckstange	Pressure bar
13	Z1202111	Winkel	Angle
14	Z1202112	Leiste	Reglet
15	21698	Zyl.-Schraube	Cyl. head screw
16	5691895	Scheibe	Washer
17	93311777	Muffe	Bushing
18	7441819	Doppelnippel	Double nipple
19	Z11661	Reduzierstück	Reducer
20	Z11655	Aufnahmestück	Retainer
21	560771	Holzschraube	Wood screw
22	72171	Anschlußschlauch kpl. (best. aus Pos. 23 bis 27)	Coupling hose cpl. (cons. of pos. 23 up to 27)
23	Z11577	Anschl.-Schlauch	Coupling hose
24	7422096	Schlauchklemme	Hose clip
25	7449513	Schlauchtülle	Hose nozzle
26	7441793a	Schl.-Kupplung	Hose coupling screw
27	Z11538	Schlauchtülle	Hose nozzle
28	Z151302	Kabelbinder	Cable band
29	Z113290	Schelle	Clip

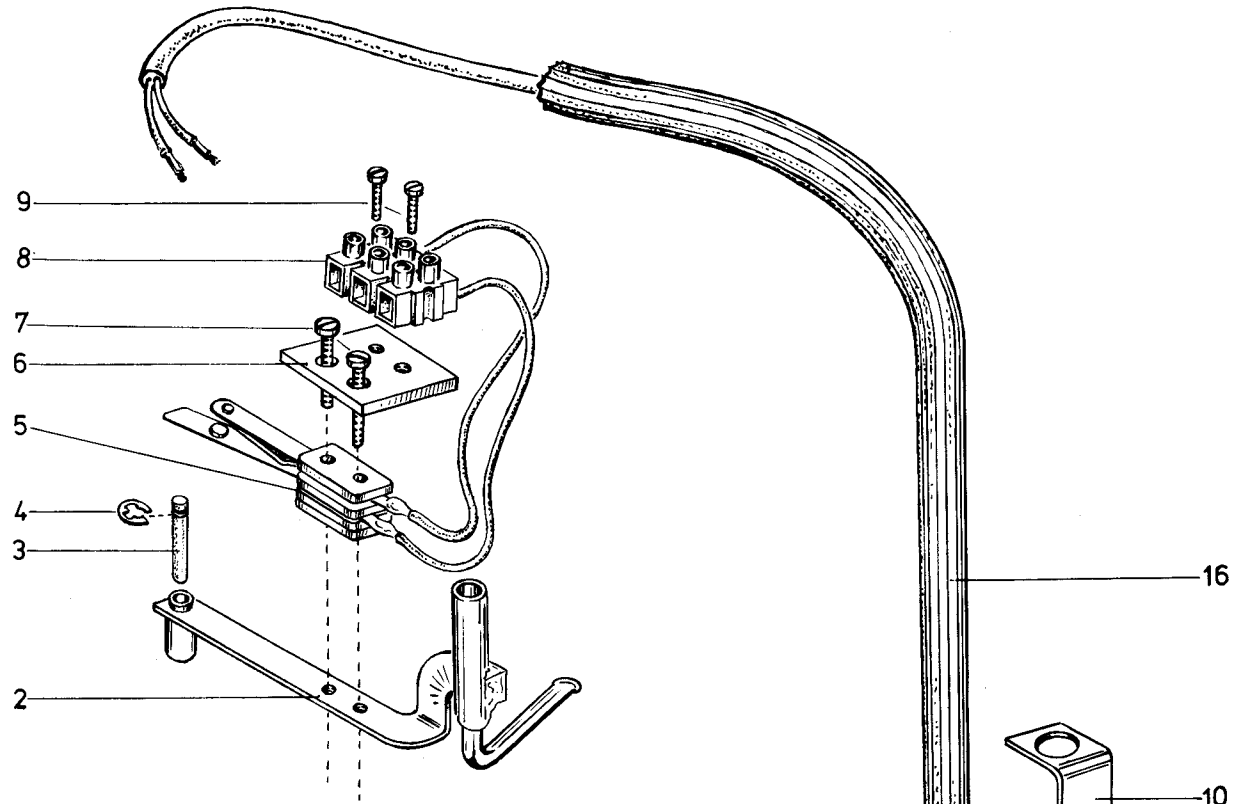
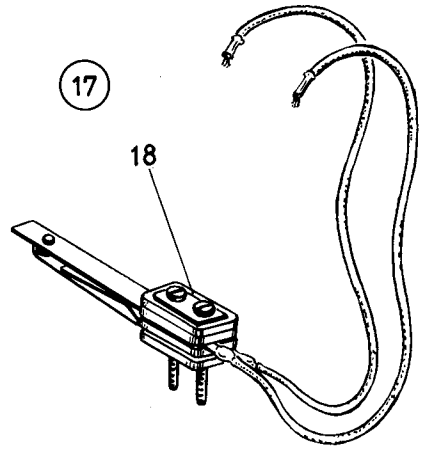
Pos. Det.	Teile Nr. Part No.	Benennung	Denomination
		Z 120-5212	
30	Z1202201	Oberfadenblas- einrichtung kpl. (best. aus Pos. 4 bis 29 und 31)	Upper thread blowing device cpl. (cons. of pos. 4 up to 29 and 31)
31	Z1202203	Blasrohr kpl. (mit Pos. 3)	Blow pipe cpl. (with pos. 3)
		Z 120-5244	
32	Z1202251	Oberfadenblas- einrichtung kpl. (best. aus Pos. 4 bis 29 und 33)	Upper thread blowing device cpl. (cons. of pos. 4 up to 29 and 33)
33	Z1202253	Blasrohr kpl. (mit Pos. 3)	Blow pipe cpl. (with pos. 3)
		Z 120-5380	
34	Z1202301	Oberfadenblas- einrichtung kpl. (best. aus Pos. 4 bis 6, 17 bis 27, 35 bis 41)	Upper thread blowing device cpl. (cons. of pos. 4 up to 6, 17 up to 27, 35 up to 41)
35	Z1202302	Blasrohr kpl. (mit Pos. 3)	Blow pipe cpl. (with pos. 3)
36	Z1202314	Winkel	Square
37	024275	Scheibe	Washer
38	216775	Zyl.-Schraube	Cyl. head screw
39	7221139	Schl.-Verschr.	Hose coupling screw
40	7221138	3/2-Wege-Ventil	3/2 Directional control valve
41	211496	Zyl.-Schraube	Cyl. head screw

Pos. Det.	Teile Nr. Part No.	Benennung	Denomination
--------------	-----------------------	-----------	--------------

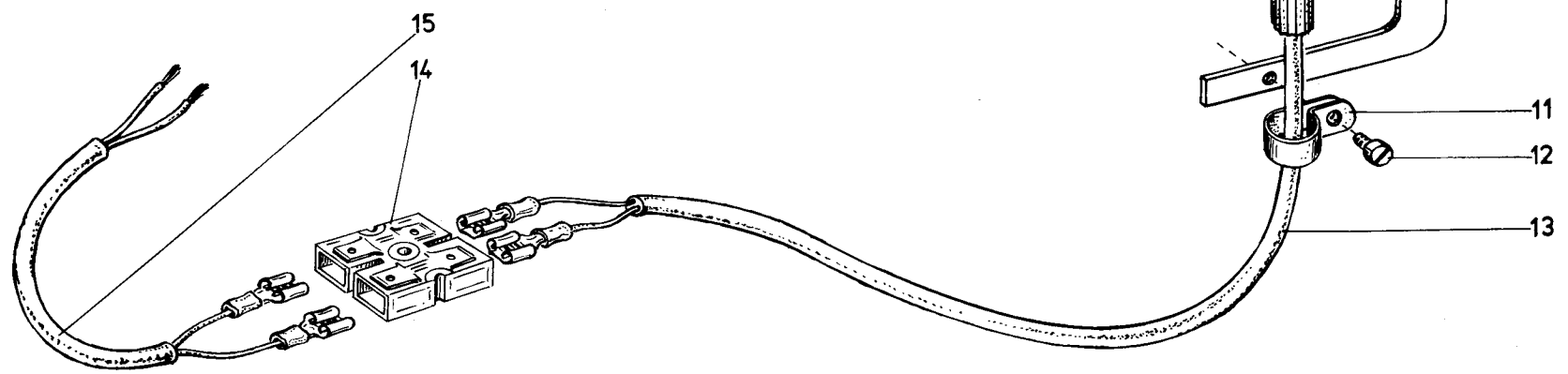


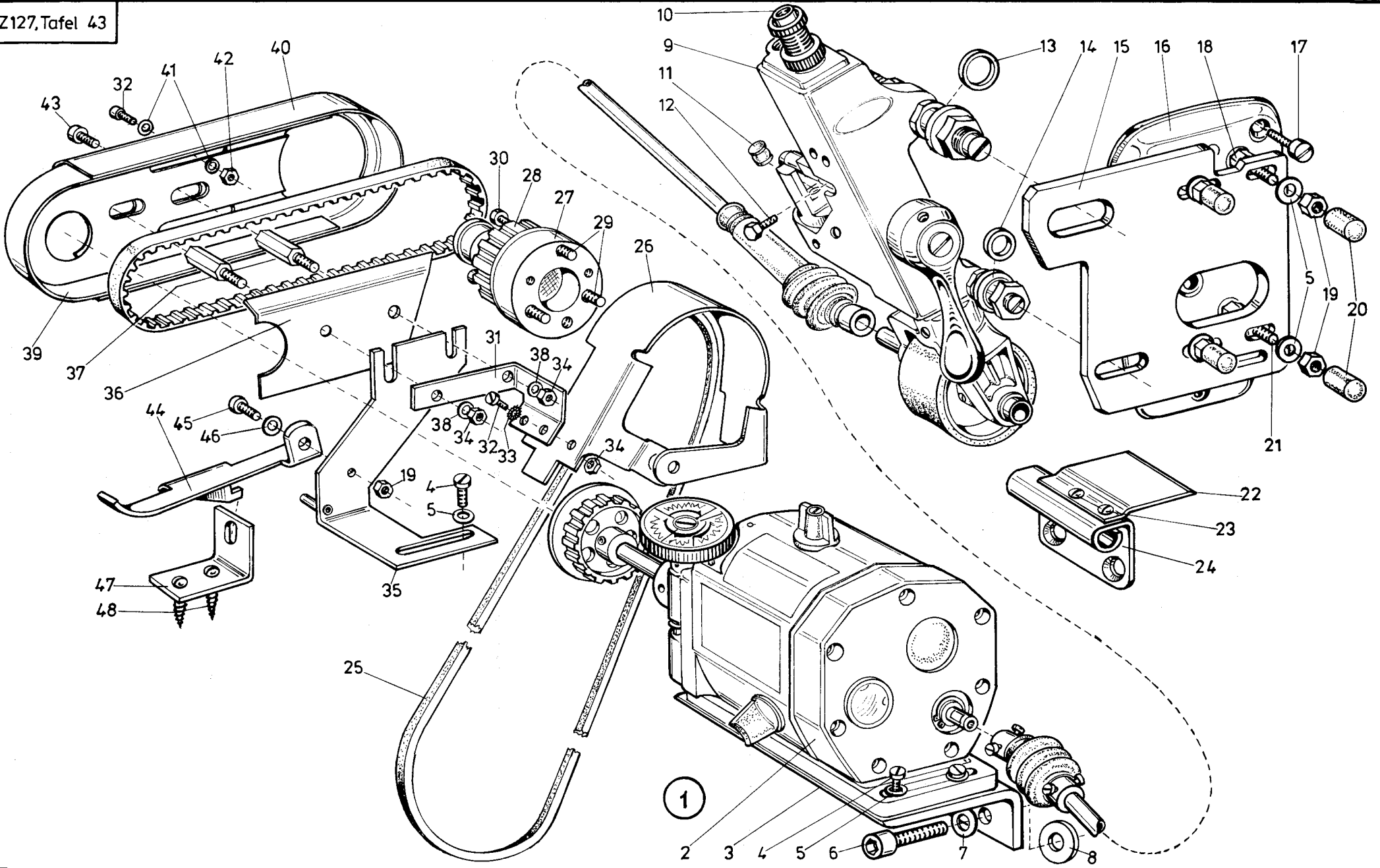
Pos. Det.	Teile Nr. Part No.	Benennung	Denomination	Pos. Det.	Teile Nr. Part No.	Benennung	Denomination	Pos. Det.	Teile Nr. Part No.	Benennung	Denomination
Z 123-1; -2; -5; -6; -245											
Z 123-1											
1	Z123201	Fadenzieher kpl. (best. aus Pos. 2 bis 21)	Thread puller cpl. (cons. of pos. 2 up to 21)	33	2679521	Mitnehmerkloben (mit Pos. 30)	Carrier block (with pos. 30)	57	93320031	Zyl.-Schraube	Cyl. head screw
2	Z123202	Grundplatte	Base plate	34	Z123146	Fadenführung an Arm	Thread guide on arm	58	3808893	Senkschraube	Countersunk screw
3	Z123106	Ziehhebel (mit Pos. 4)	Pulling lever (with pos. 4)	35	26512024	Aufnahmeplatte	Receiver plate	59	3808894	Distanzring	Distance ring
4	531464	Gew.-Stift	Threaded stud	36	211198	6kt.-Mutter	Hexagonal nut	60	3808896	Fadenführung an Arm	Thread guide on arm
5	Z123113	Fadenöse	Thread eye	37	202708	Gewindestift	Threaded stud	61	223700	Zyl.-Schraube	Cyl. head screw
6	2658555	Greifring	Grip ring	Z 123-5				62	531460	Scheibe	Washer
7	Z123116	Auslösehebel	Releasing lever	38	Z123101k	Fadenzieher kpl. (best. aus Pos. 3 bis 8, 11, 12, 14 bis 19, 21, 39 bis 43)	Thread puller cpl. (cons. of pos. 3 up to 8, 11, 12, 14 up to 19, 21, 39 up to 43)				
8	911339	Zyl.-Schraube	Cyl. head screw	39	Z123101	Grundplatte	Base plate				
9	Z123205	Distanzbuchse	Distance bush	40	Z123121	Verbind.-Stange	Connecting rod				
10	Z123206	Verbind.-Stange	Connecting rod	41	Z123125	Hebel (mit Pos. 42)	Lever (with pos. 42)				
11	Z123122	Lasche	Shackle	42	914330	6kt.-Schraube	Hexagonal screw				
12	911339	Zyl.-Schraube	Cyl. head screw	43	Z123150	Schalthebel	Control lever				
13	Z123207	Hebel	Lever	Auf Wunsch lieferbar				Deliverable on request			
14	2132038	Abstandsbuchse	Distance bush	44	2654018	Fadenführung	Thread guide				
15	10019127	Schraube	Screw	45	27079	Zyl.-Schraube	Cyl. head screw				
16	902236	Gew.-Stift	Threaded stud	46	913629	Scheibe	Washer				
17	Z123137	Distanzhülse	Distance bush	47	2654008	Fingerschutz	Finger guard				
18	2522389	6kt.-Mutter	Hexagonal nut	Z 123-6							
19	5511246	Scheibe	Washer	48	2679501	Fadenzieher kpl. (best. aus Pos. 23 bis 34)	Thread puller cpl. (cons. of pos. 23 up to 34)				
20	Z123210	Schalthebel	Control lever	Z 123-245							
21	Z123146	Fadenführung (an Arm)	Thread guide (on arm)	49	3808871	Fadenzieher kpl. (best. aus Pos. 50 bis 62)	Thread puller cpl. (cons. of pos. 50 up to 62)				
22	Z123251	Fadenzieher kpl. (best. aus Pos. 23 bis 37)	Thread puller cpl. (cons. of pos. 23 up to 37)	50	3808873	Grundplatte	Base plate				
23	2679502	Grundplatte	Base plate	51	3808878	Hebel	Lever				
24	911339	Zyl.-Schraube	Cyl. head screw	52	3808883	Fadenzieher	Thread puller				
25	2679507	Platte	Plate	53	531464	Gew.-Stift	Threaded stud				
26	570975	Scheibe	Washer	54	3808885	Drehfeder	Torsion spring				
27	237624	Zyl.-Schraube	Cyl. head screw	55	570138	Sicherungsring	Safety collar				
28	5511824	6kt.-Mutter	Hexagonal nut	56	3808887	Lasche	Shackle				
29	2679512	Ziehhebel	Pulling lever								
30	531464	Gewindestift	Threaded stud								
31	Z123113	Fadenöse	Thread eye								
32	2658555	Greifring	Grip ring								

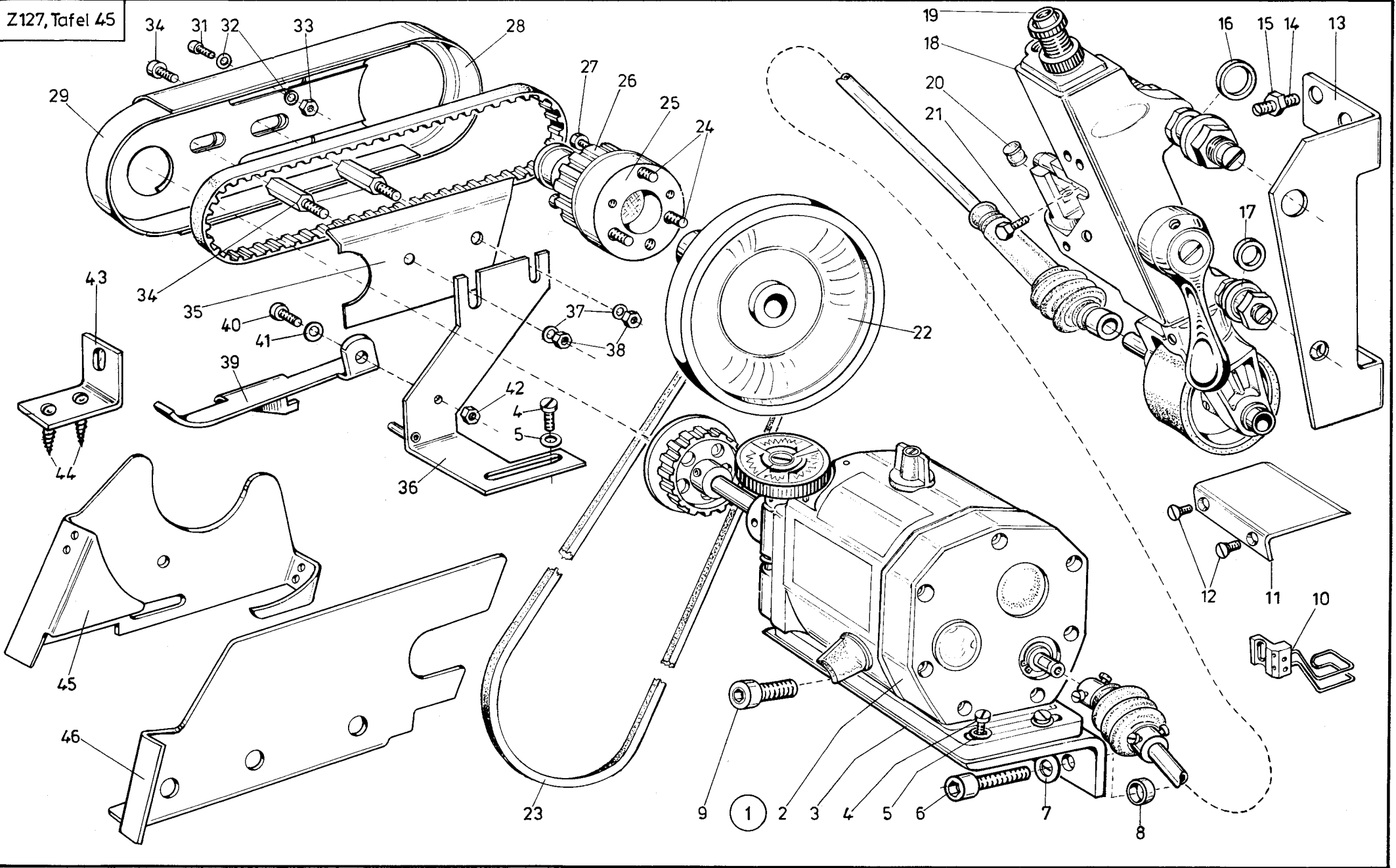


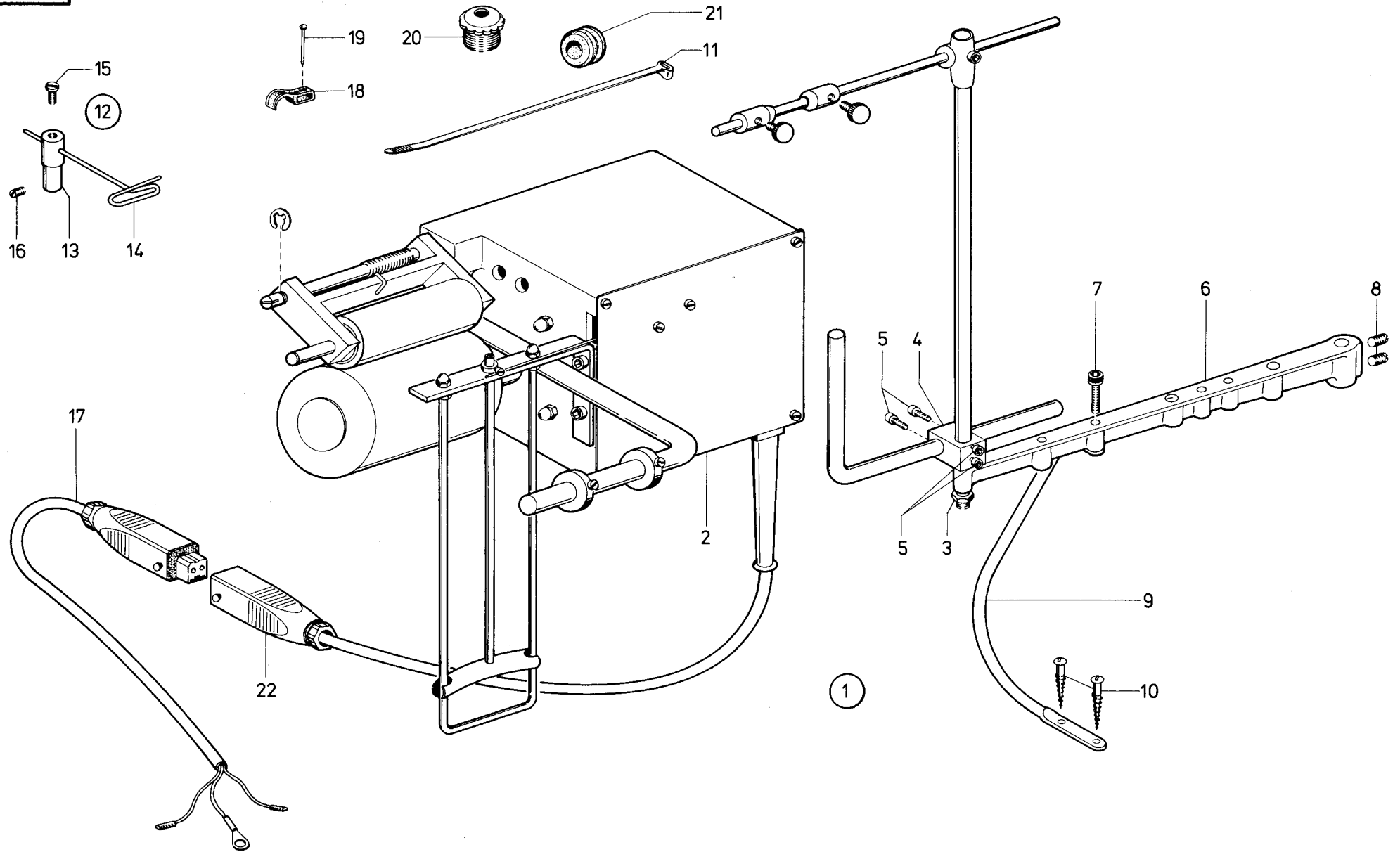


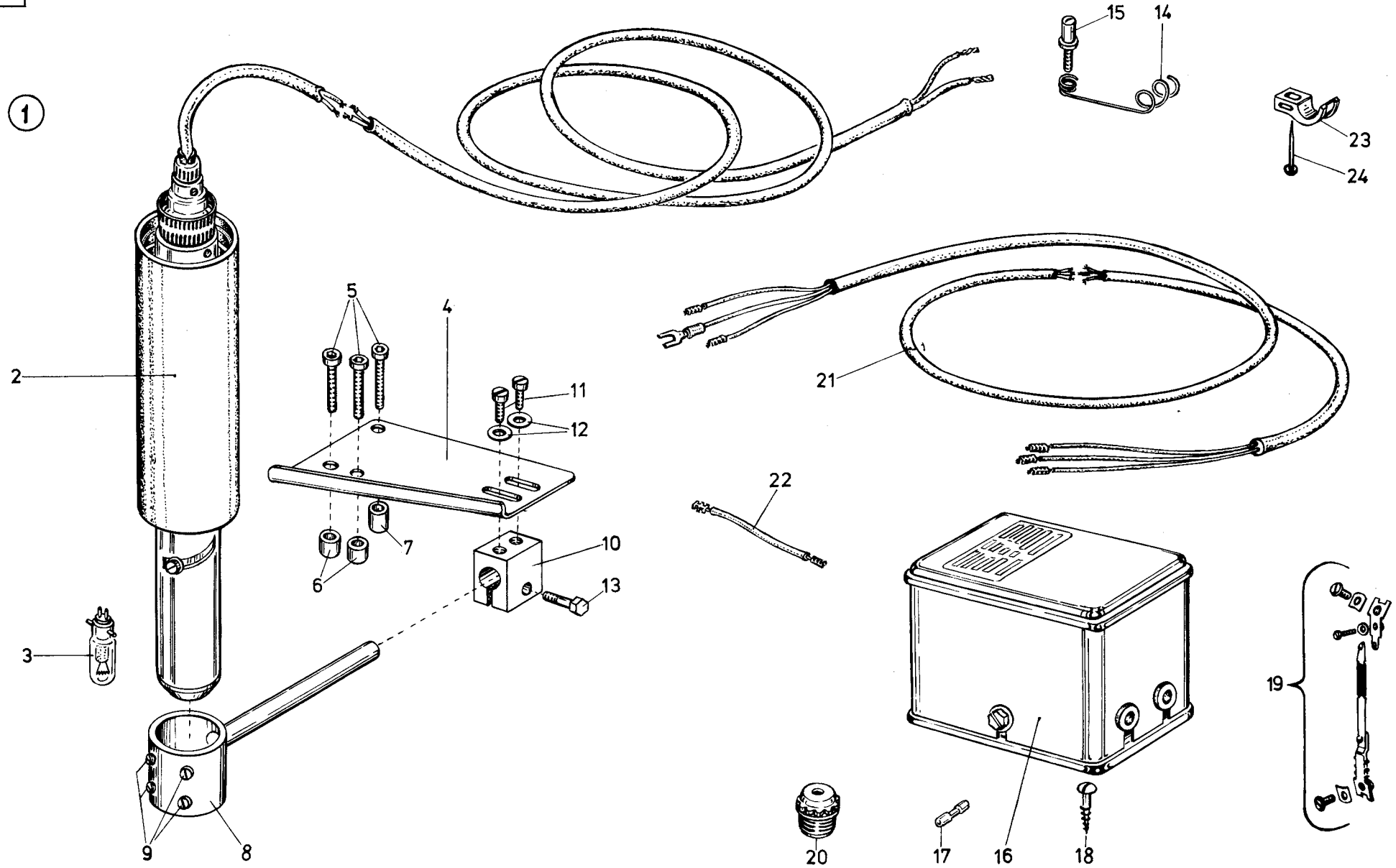
1

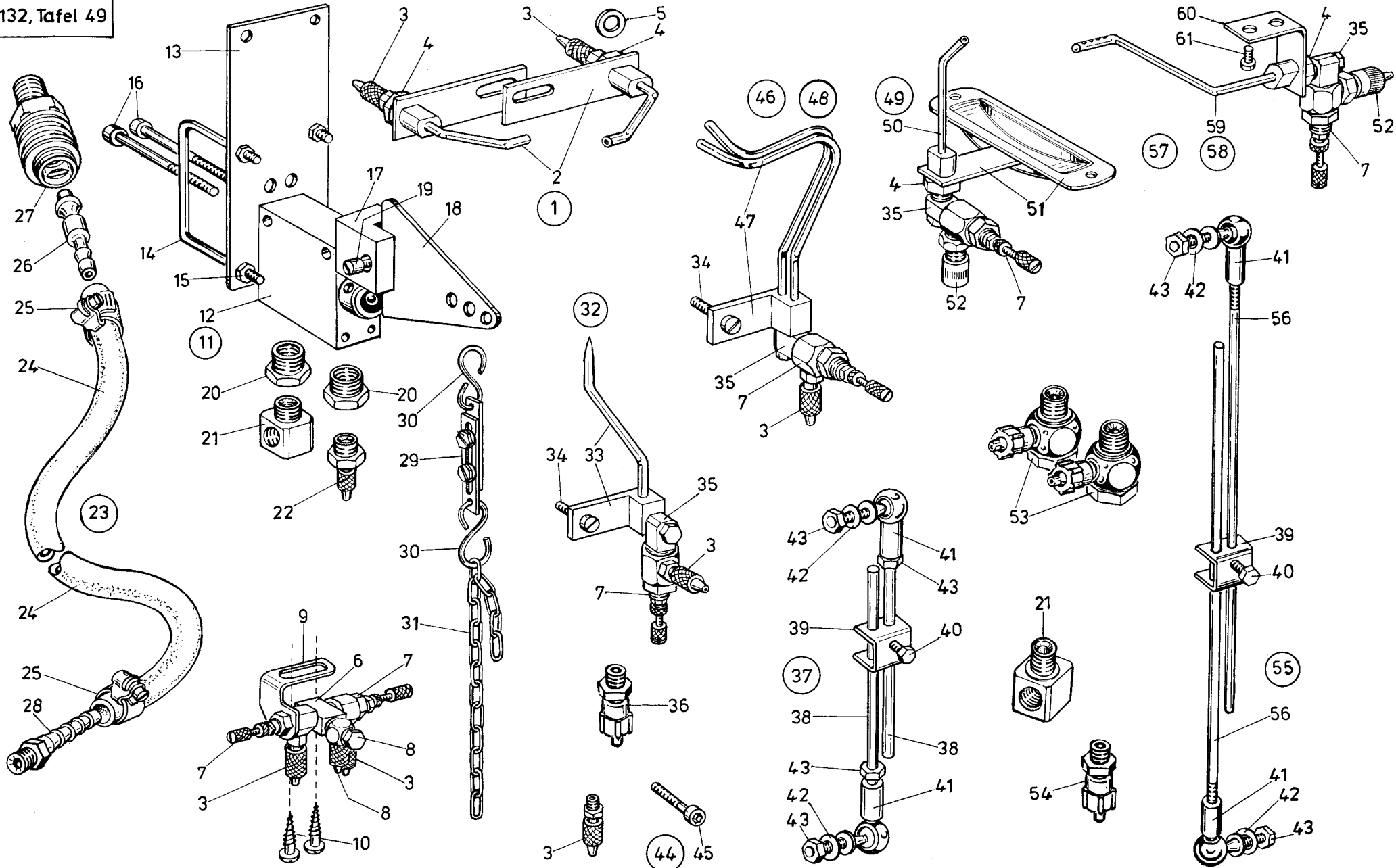




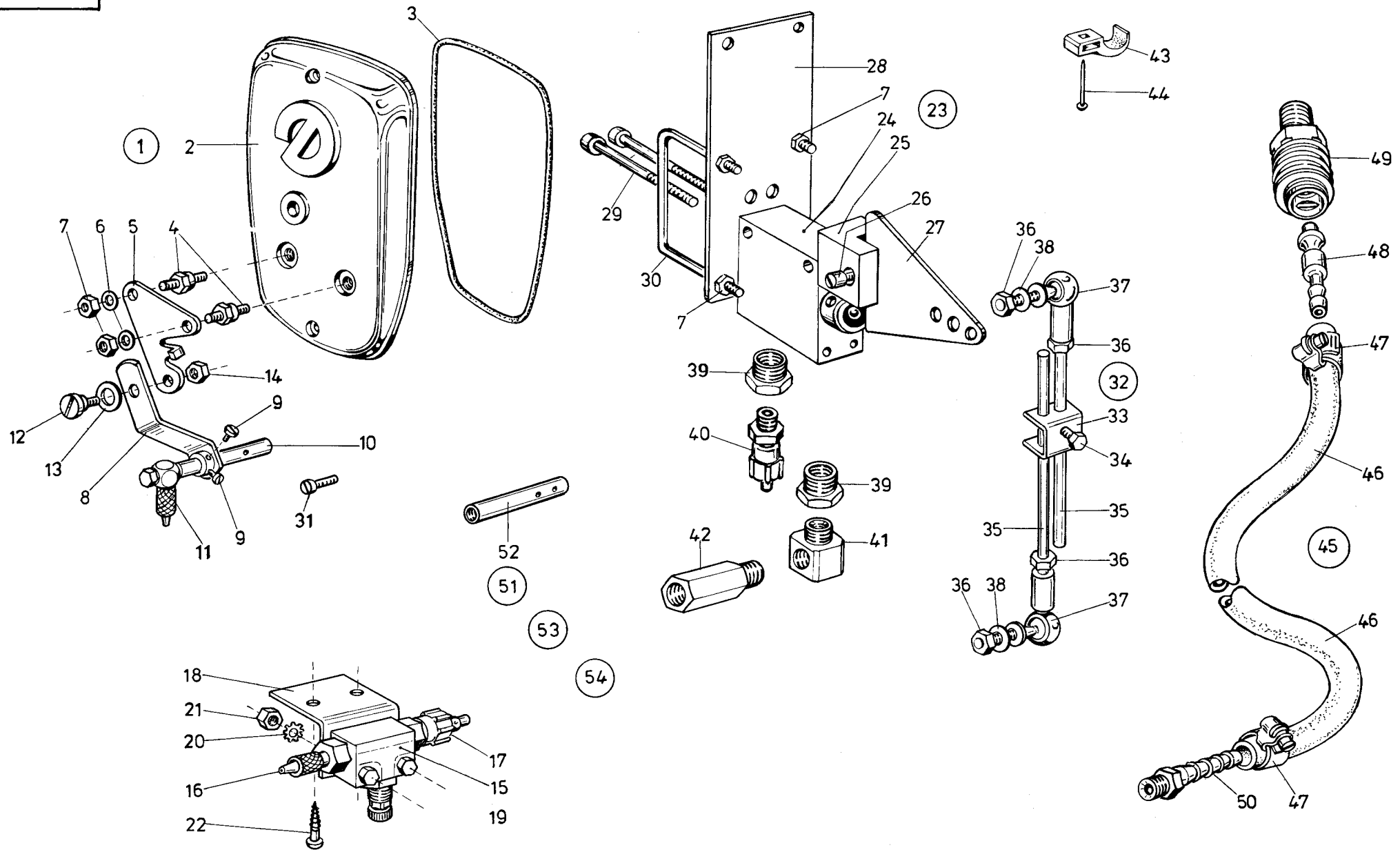


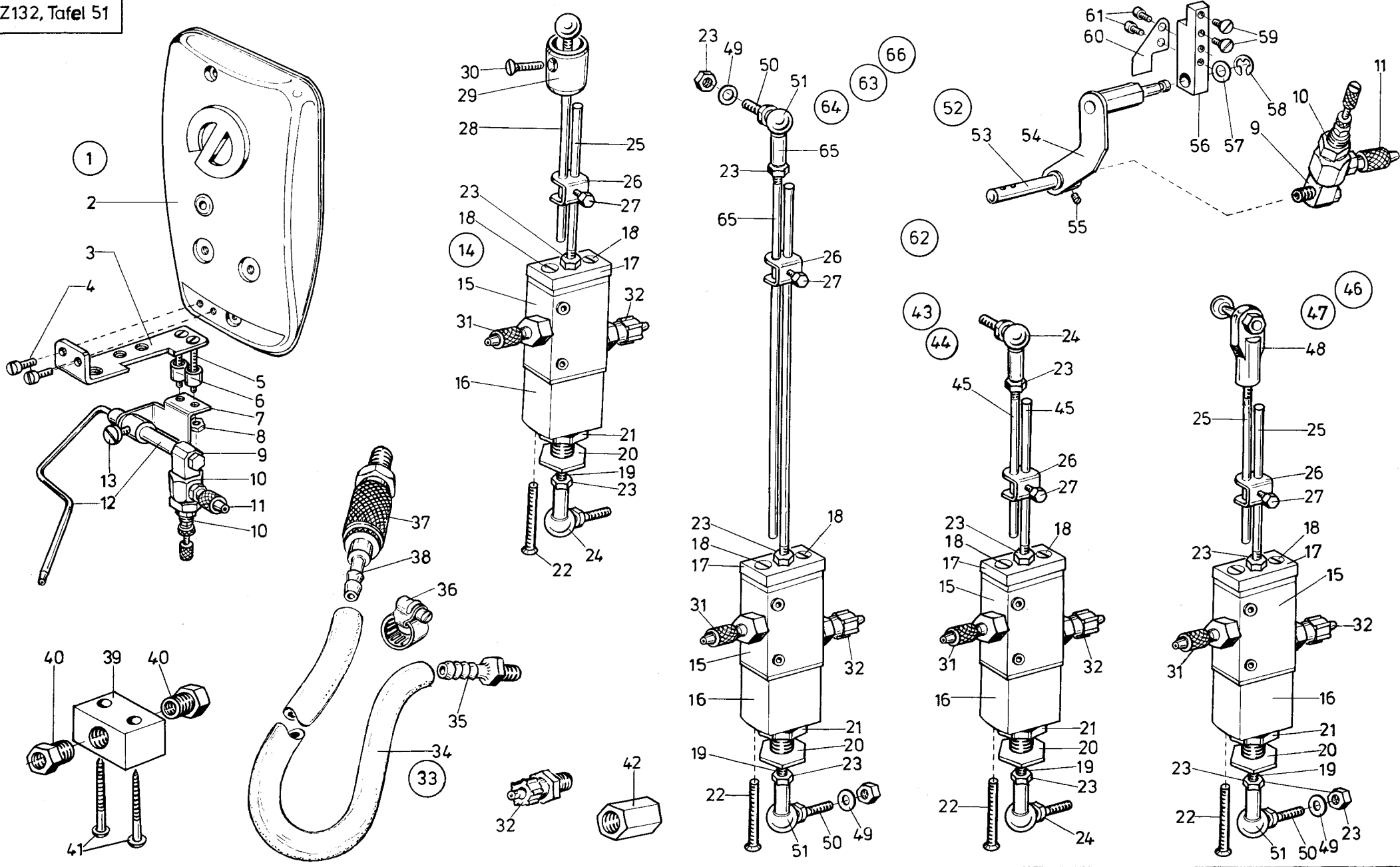






Pos. Det.	Teile Nr. Part No.	Benennung	Denomination	Pos. Det.	Teile Nr. Part No.	Benennung	Denomination	Pos. Det.	Teile Nr. Part No.	Benennung	Denomination
Z 132-249,-933-1,-933-2,-211,-265				Z 132-933-1				Z 132-211			
Z 132-249				32	Z132491k	Nadelkühlung mit Steuerung kpl. (best. aus Pos. 3, 7, 11 bis 21, 23 bis 28, 32 bis 43)	Needle cooling with control system cpl. (cons. of pos. 3, 7, 11 up to 21, 23 up to 28, 32 up to 43)	49	Z132591	Nadelkühlung kpl. (best. aus Pos. 4, 7, 11, 35, 50 bis 56)	Needle cooling cpl. (cons. of pos. 4, 7, 11, 35, 50 up to 56)
1	Z132191	Blaseinrichtung zur Nadelkühlung kpl. (best. aus Pos. 2 bis 31)	Blowing device to needle cooling cpl. (cons. of pos. 2 up to 31)	33	Z132491	Blasrohr	Blow pipe	50	Z132611	Blasrohr	Blow pipe
2	Z132102	Blasrohr	Blow pipe	34	21688	Zyl.-Schraube	Cyl. head screw	51	Z132607	Getriebedeckel	Gearing cover
3	7422244	Schnellverschr.	Quick coupling screw	35	23810073	Schwenkbares L-Stück	Swinging L-coupling piece	52	7221139	Schl.-Verschr.	Hose coupling screw
4	72042a	6kt.-Mutter	Hexagonal nut	36	74423566	Schl.-Verschr.	Hose coupling screw	53	7441974	L-Verschr.	L-coupling screw
5	72043	Scheibe	Washer	37	Z126151	Trittstange kpl. (best. aus Pos. 38 bis 43)	Rods cpl. (cons. of pos. 38 up to 43)	54	P12516	Schl.-Verschr.	Hose coupling screw
6	7449183	T-Stück	T-piece	38	Z126152	Stange	Rod	55	MG43/401	Trittstange kpl. (best. aus Pos. 39 bis 43 und 56)	Rods cpl. (cons. of pos. 39 up to 43 and 56)
7	Z11647	Regulierventil	Adjusting valve	39	MG43/403	Klemme	Clamp	56	MG43/402	Stange	Rod
8	746768	Schwenkb. L-Verschr.	Swinging L-coupling screw	40	MG43/404	6kt.-Schraube	Hexagonal screw	Z 132-211			
9	5701871	Bef.-Winkel	Angle bracket	41	5562267	Kugelgelenk	Ball-and-socket joint	57	Z132621	Nadelkühlung kpl. (best. aus Pos. 4, 7, 11, 20, 21, 35, 36, 37, 51 und 52)	Needle cooling cpl. (cons. of pos. 4, 7, 11, 20, 21, 35, 36, 37, 51 and 52)
10	7101450	Holzschraube	Wood screw	42	MG43/2510	Scheibe	Washer	Z 132-265			
11	Z126122	Ventil kpl. (best. aus Pos. 12 bis 19)	Valve cpl. (cons. of pos. 12 up to 19)	43	MG43/409	6kt.-Mutter	Hexagonal nut	58	Z132641	Nadelkühlung kpl. (best. aus Pos. 4, 7, 11, 20, 21, 23, 35, 36, 37, 52, 59, 60, 61)	Needle cooling cpl. (cons. of pos. 4, 7, 11, 20, 21, 23, 35, 36, 37, 52, 59, 60, 61)
12	7449317	Ventil	Valve	Z 132-933-1				59	Z132656	Blasrohr	Blow pipe
13	Z126141	Bef.-Blech	Mounting plate	44	Z132510	Nadelkühlung ohne Steuerung (best. aus Pos. 3, 7, 33, 35, 45)	Needle cooling without control system (cons. of pos. 3, 7, 33, 35, 45)	60	Z132653	Winkel	Angle
14	NBO/1720	Bügel	Bow	45	7422036	Zyl.-Schraube	Cyl. head screw	61	223700	Schraube	Screw
15	MG8/7d	6kt.-Mutter	Hexagonal nut	Z 132-933-2							
16	MG45/90	Zyl.-Schraube	Cyl. head screw	46	Z132531	Nadelkühlung kpl. (best. aus Pos. 3, 7, 11 bis 28, 34 bis 43, 47)	Needle cooling cpl. (cons. of pos. 3, 7, 11 up to 28, 34 up to 43, 47)				
17	Z126145	Lagerbock	Pillow block	47	Z132532	Blasrohr	Blow pipe				
18	Z126148	Hebel	Lever	Z 132-933-2							
19	10019141	Schraube	Screw	48	Z132548	Nadelkühlung ohne Steuerung (best. aus Pos. 3, 7, 34, 35, 47)	Needle cooling without control system (cons. of pos. 3, 7, 34, 35, 47)				
20	Z11661	Reduzierstück	Reducer								
21	P12153	Winkelstück	Bend elbow								
22	7422238	Schnellverschr.	Quick coupling screw								
23	72171	Anschlußschlauch kpl. (best. aus Pos. 24 bis 28)	Coupling hose cpl. (cons. of pos. 24 up to 28)								
24	Z11577	Anschl.-Schlauch	Coupling hose								
25	7422096	Schl.-Klemme	Hose clip								
26	7449513	Schlauchtülle	Hose nozzle								
27	7441793a	Schl.-Kupplung	Hose coupling								
28	Z11538	Schlauchtülle	Hose nozzle								
29	2401282	Zuglasche kpl.	Traction shackle cpl.								
30	052361	S-Haken	S-Hook								
31	052360	Kette	Chain								

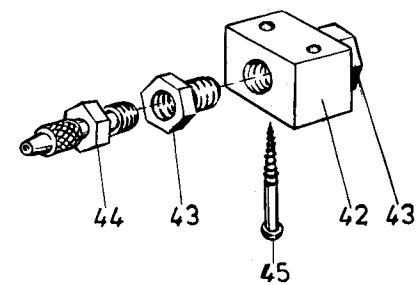
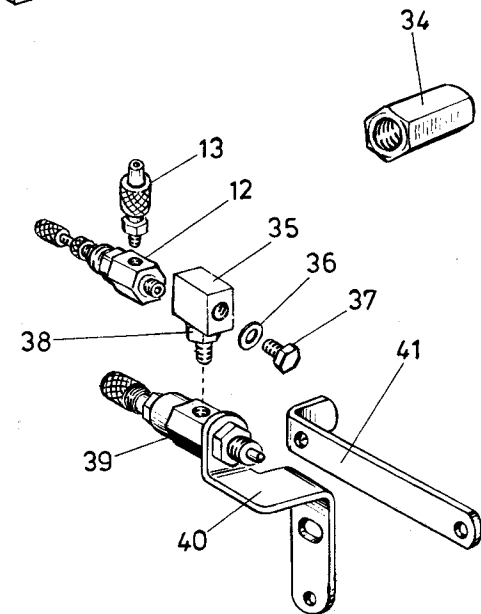
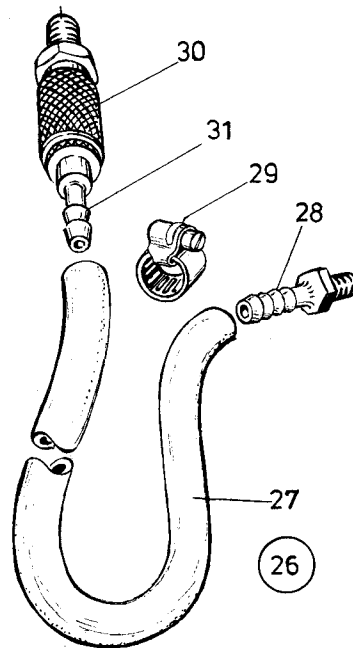
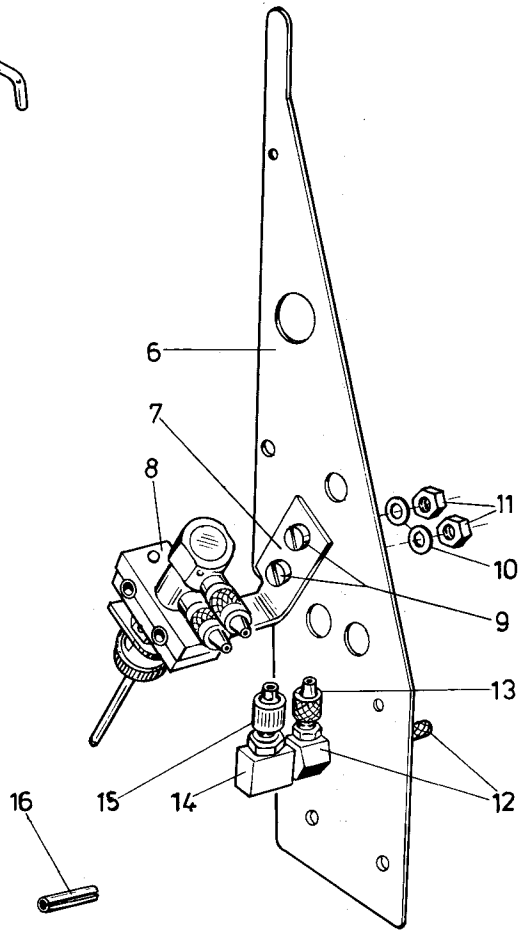
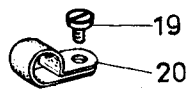
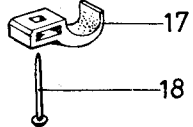
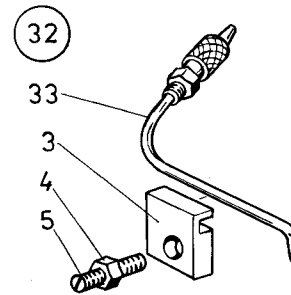
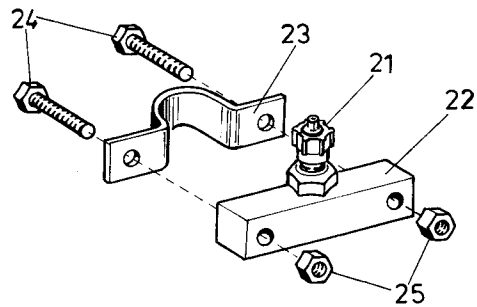
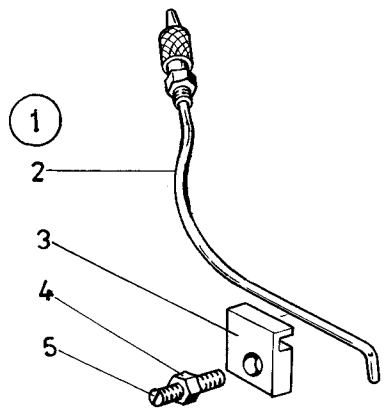




Pos. Det.	Teile Nr. Part No.	Benennung	Denomination	Pos. Det.	Teile Nr. Part No.	Benennung	Denomination	Pos. Det.	Teile Nr. Part No.	Benennung	Denomination	
		Z 132-243-10 E, -243-10 Q, -243-10 G und Z 132-244-10 E, -244-10 Q, -244-10 K, -244-10 G										
		Z 132-243-10 E										
1	Z1321001	Nadelkühlung mit Schaltgestänge kpl. (best. aus Pos. 2 bis 42)	Needle Cooling with control rods cpl. (cons. of pos. 2 up to 42)	33	72171	Anschlußschlauch kpl. (best. aus Pos. 34 bis 38)	Coupling hose cpl. (cons. of pos. 34 up to 38)	53	Z1321114	Düse für 2,5 mm NA*	Nozzle for 2,5 mm needle distance *	
2	Z1201003	Kopfdeckel	Face plate	34	Z11577	Anschl.-Schlauch	Coupling hose	53	Z1321116	Düse für 6 mm NA*	Nozzle for 6 mm needle distance *	
3	Z1201004	Halteblech	Retaining plate	35	Z11538	Schlauchtülle	Hose nozzle	53	Z1321117	Düse für 8 mm NA*	Nozzle for 8 mm needle distance *	
4	223676	Zyl.-Schraube	Cyl. head screw	36	7422096	Schlauchklemme	Hose clip	54	Z1321009	Blattfeder	Leaf spring	
5	7461152	Senkschraube	Countersunk screw	37	7441793a	Schl.-Kupplung	Hose coupling	55	10019123	Gewindestift	Threaded stud	
6	74640118a	Abstandshülse	Distance sleeve	38	7449513	Schlauchtülle	Hose nozzle	56	Z1321004	Kloben	Block	
7	Z1321049	Winkel	Angle	39	Z11655	Aufnahmestück	Receiver	57	933587	Tellerfeder	Cup spring	
8	202704	6kt.-Mutter	Hexagonal nut	40	Z11661	Reduzierstück	Reducer	58	211100a	Sicher.-Scheibe	Safety washer	
9	23810073	L-Verschr.	L-coupling screw	41	560771	Holzschraube	Wood screw	59	7395024	Senkschraube	Countersunk screw	
10	Z11647	Drosselventil	Throttle valve	42	7442528	Muffe	Bushing	60	Z1321006	Blattfeder	Leaf spring	
11	7422244	Schl.-Verschr.	Hose coupling screw			Z 132-243-10 Q		61	739297	Zyl.-Schraube	Cyl. head screw	
12	Z1321058	Rohr	Tube	43	Z1321002	Nadelkühlung mit Schaltgestänge kpl. (best. aus Pos. 2 bis 13, 31 bis 42 und 44)	Needle cooling with controls rods cpl. (cons. of pos. 2 up to 13, 31 up to 42 and 44)				Z 132-244-10 Q	
13	10019128	Zyl.-Schraube	Cyl. head screw	44	Z100303	Gestänge mit Zugventil (best. aus Pos. 15 bis 24, 26, 27 und 45)	Rods with pull-valve (cons. of pos. 15 up to 24, 26, 27 and 45)	62	Z1321102	Nadelkühlung mit Schaltgestänge kpl. (best. aus Pos. 9 bis 11, 31 bis 42, 44, 53 bis 61)	Needle cooling with control rods cpl. (cons. of pos. 9 up to 11, 31 up to 42, 44, 53 up to 61)	
14	Z100153	Gestänge mit Zugventil, kpl., für EFKA, (best. aus Pos. 15 bis 30)	Rods cpl. with pull- valve cpl. for EFKA, (cons. of pos. 15 up to 30)	45	Z126152	Stange	Rod				Z 132-244-10 K	
15	7978	3/2-Wege-Nockenventil	3/2-Direct. control valve	46	Z1321008	Nadelkühlung mit Schaltgestänge kpl. (best. aus Pos. 2 bis 13, 31 bis 42 und 47)	Needle cooling with control rods cpl. (cons. of pos. 2 up to 13, 31 up to 42 and 47)	63	Z1321103	Nadelkühlung mit Schaltgestänge kpl. (best. aus Pos. 9 bis 11, 31 bis 42, 5 bis 61, 64)	Needle cooling with control rods cpl. (cons. of pos. 9 up to 11, 31 up to 42, 53 up to 61, 64)	
16	Z100156	Lagerstück	Liner	47	Z100253	Gestänge mit Zugventil kpl. (best. aus Pos. 15 bis 23, 25 bis 27, 48 bis 51)	Rods with pull valve cpl. (cons. of pos. 15 to 23, 25 up to 27, 48 up to 51)	64	Z100273	Gestänge mit Zugventil kpl. (best. aus Pos. 15 bis 23, 26, 27, 49, 50, 51, 65)	Rods cpl. with pull- valve (cons. of pos. 15 up to 23, 26, 27, 49, 50, 51, 65)	
17	Z100159	Platte	Plate	48	Z100259	Lasche	Shackle	65	718254	Stange	Rod	
18	216120	Zyl.-Schraube	Cyl. head screw	49	557263	Scheibe	Washer				Z 132-244-1	
19	Z100157	Bolzen	Bolt	50	5701220	Kugelbolzen	Spherical gudgeon	66	Z1321108	Nadelkühlung mit Schaltgestänge kpl. (best. aus Pos. 9 bis 11, 31 bis 42, 47, 53 bis 61)	Needle cooling with control rods cpl. (cons. of pos. 9 up to 11, 31 up to 42, 47, 53 up to 61)	
20	Z100162	Stellhülse	Sleeve	51	211616	Kugelpfanne	Cup					
21	TG42/73	6kt.-Mutter	Hexagonal nut			Z 132-244-10 E						
22	74423864	Senkschraube	Countersunk screw	52	Z1321101	Nadelkühlung mit Schaltgestänge kpl. (best. aus Pos. 9 bis 11, 14, 31 bis 42, 53 bis 61)	Needle cooling with control rods cpl. (cons. of pos. 9 up to 11, 14, 31 up to 42, 53 up to 61)					
23	MG43/408	6kt.-Mutter	Hexagonal nut									
24	5562267	Kugelgelenk	Ball-and-socket joint									
25	9441413	Gewindebolzen	Threaded bolt									
26	MG43/403	Klemmstück	Clamping piece									
27	MG43/404	6kt.-Schraube	Hexagonal screw									
28	MG44/342	Stange	Rod									
29	MG43/425	Hülse	Sleeve									
30	570939a	Senkschraube	Countersunk screw									
31	7422238	Schl.-Verschr.	Hose coupling screw									
32	74423566	Schl.-Verschr.	Hose coupling screw									

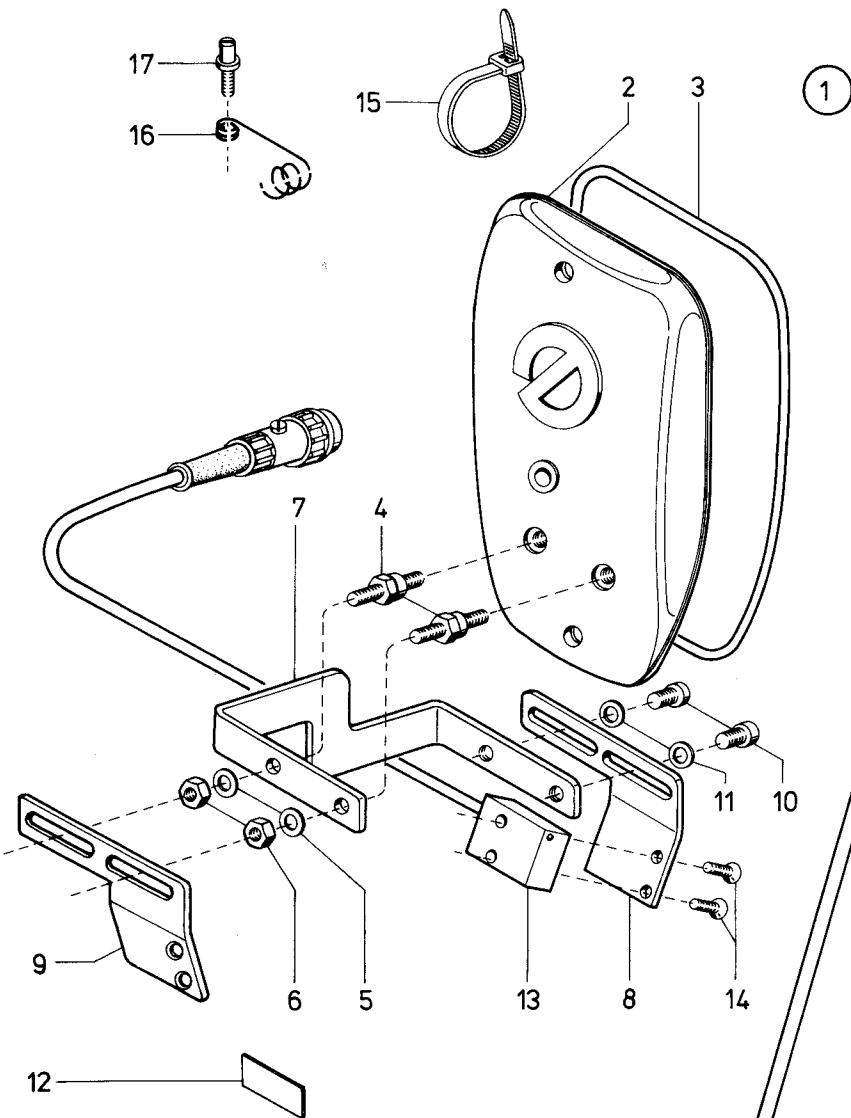
* je nach Wunsch

* as desired

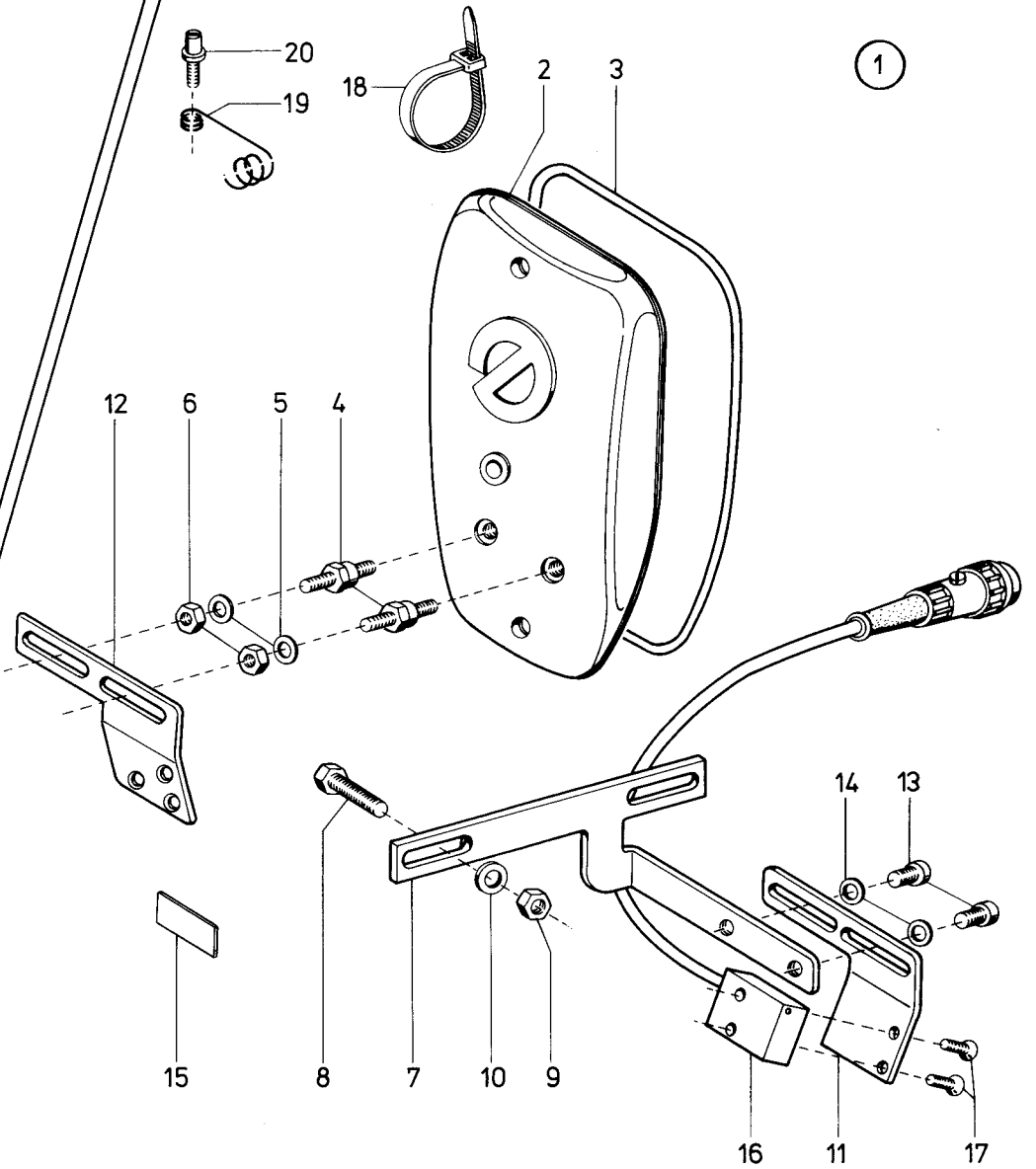


Pos. Det.	Teile Nr. Part No.	Benennung	Denomination	Pos. Det.	Teile Nr. Part No.	Benennung	Denomination	Pos. Det.	Teile Nr. Part No.	Benennung	Denomination
Z 132-556, -570				Z 132-570							
1	Z1321201	Nadelkühlung kpl. (best. aus Pos. 2 bis 31)	Needle cooling cpl. (cons. of pos. 2 up to 31)	32	Z132901	Nadelkühlung von oben kpl. (best. aus Pos. 3, 4, 5, 12, 13, 26 bis 31, 33 bis 45)	Needle cooling over- hand cpl. (cons. of pos. 3, 4, 5, 12, 13, 26 up to 31, 33 up to 45)				
2	Z1321224	Blasrohr	Blow pipe	33	Z132902	Blasrohr	Blow pipe				
3	Z132906	Klemmstück	Clamp	34	7442528	Muffe	Bushing				
4	216660	6kt.-Mutter	Hexagonal nut	35	7449183	T-Stück	T-piece				
5	21668	Gewindestift	Threaded stud	36	5701848	Dichtring	Gasket ring				
6	Z1321203	Deckblech	Cover plate	37	5701847	Blindstopfen	Blind plug				
7	Z1321205	Winkel	Angle	38	Z11650	Doppelnippel	Double nipple				
8	797108	Handhebelventil	Hand lever valve	39	5701844	Sitzventil	Seat valve				
9	739255	Zyl.-Schraube	Cyl. head screw	40	5701852	Winkel	Angle				
10	5691895	Scheibe	Washer	41	5701851	Lasche	Shackle				
11	202704	6kt.-Mutter	Hexagonal nut	42	Z11655	Aufnahmestück	Receiver				
12	Z11647	Druckregelventil	Pressure regulator	43	Z11661	Reduzierstück	Reducer				
13	7422244	Schlauchverschraubung	Hose coupling screw	44	7422238	Schl.-Verschr.	Hose coupling screw				
14	93374261	Muffe	Bushing	45	560771	Holzschraube	Wood screw				
15	7221139	Schl.-Verschr.	Hose coupling screw								
16	Z1321209	Spannhülse	Clamping sleeve								
17	7442168	Nagelschelle	Nail clip								
18	7442094	Stahlnadel	Steel needle								
19	94210318	Zyl.-Schraube	Cyl. head screw								
20	2231296	Schelle	Clip								
21	74423566	Schl.-Verschr.	Hose coupling screw								
22	5567292	Bef.-Stück	Fastening piece								
23	7441798	Schelle	Clip								
24	5581304	6kt.-Schraube	Hexagonal screw								
25	MG43/408	6kt.-Mutter	Hexagonal nut								
26	72171	Anschlußschlauch kpl. (best. aus Pos. 27 bis 31)	Coupling hose cpl. (cons. of pos. 27 up to 31)								
27	Z11577	Anschl.-Schlauch	Coupling hose								
28	Z11538	Schlauchtülle	Hose nozzle								
29	7422096	Schlauchklemme	Hose clip								
30	7441793a	Schl.-Kupplung	Hose coupling								
31	7449513	Schlauchtülle	Hose nozzle								

Z133 Tafel 53



Kl. Z133 Tafel 54



Z 133

Tafel 53

Pos. Det.	Teile Nr. Part No.	Benennung	Denomination
Z 133-1-211			
1	Z133191	Anbausatz kpl. (best. aus Pos. 2 bis 17)	Add-on unit cpl. (cons. of pos. 2 up to 17)
2	2113011	Kopfdeckel (mit Pos. 3)	Face plate (with pos. 3)
3	216471	Rundschnurring	Round cord ring
4	2113093	Ansatzbolzen	Shoulder bolt
5	024275	Scheibe	Washer
6	MG8/7d	6kt.-Mutter	Hexagonal nut
7	21155408	Winkel	Square
8	Z133199	Winkel	Angle
9	Z133200	Winkel	Angle
10	265565	Zyl.-Schraube	Cyl. head screw
11	024275	Scheibe	Washer
12	24415012	Reflexfolie	Reflex foil
13	Z133103	Lichtschränke	Light barrier
14	902707	Senkschraube	Countersunk screw
15	7441978	Kabelbinder	Cable band
16	7991612	Kabelhalter	Cable holder
17	App. 528	Schraube	Screw

Z 133

Tafel 54

Pos. Det.	Teile Nr. Part No.	Benennung	Denomination
Z 133-1-212			
1	Z133231	Anbausatz kpl. (best. aus Pos. 2 bis 20)	Add-on unit cpl. (cons. of pos. 2 up to 20)
2	2123011	Kopfdeckel (mit Pos. 3)	Face plate (with pos. 3)
3	216471	Rundschnurring	Round cord ring
4	2113093	Ansatzbolzen	Shoulder bolt
5	024275	Scheibe	Washer
6	MG8/7d	6kt.-Mutter	Hexagonal nut
7	Z133238	Winkel	Square elbow
8	911679a	6kt.-Schraube	Hexagonal screw
9	MG8/7d	6kt.-Mutter	Hexagonal nut
10	024275	Scheibe	Washer
11	Z133242	Winkel	Angle
12	21256838a	Winkel	Angle
13	265565	Zyl.-Schraube	Cyl. head screw
14	024275	Scheibe	Washer
15	24415012	Reflexfolie	Reflex foil
16	Z133103	Lichtschränke	Light barrier
17	902707	Senkschraube	Countersunk screw
18	7441978	Kabelbinder	Cable band
19	7991612	Kabelhalter	Cable holder
20	App. 528	Schraube	Screw

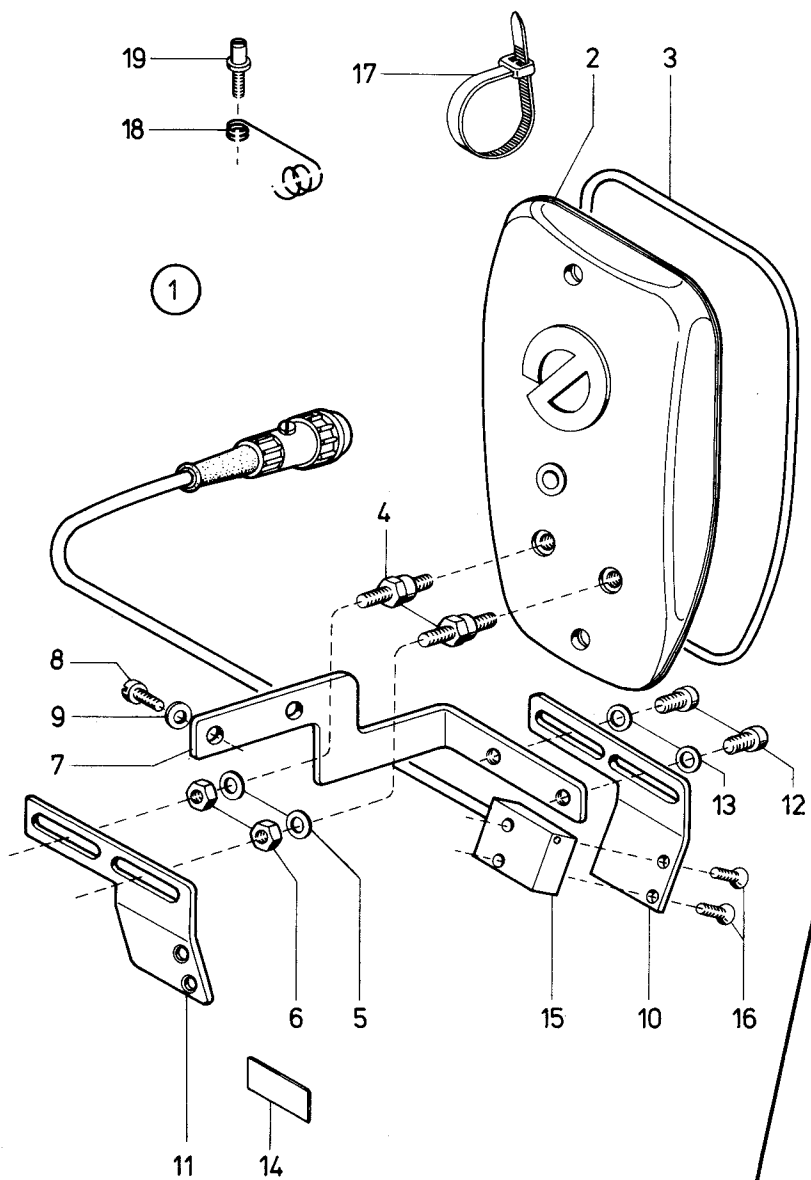
Pos.
Det.Teile Nr.
Part No.

Benennung

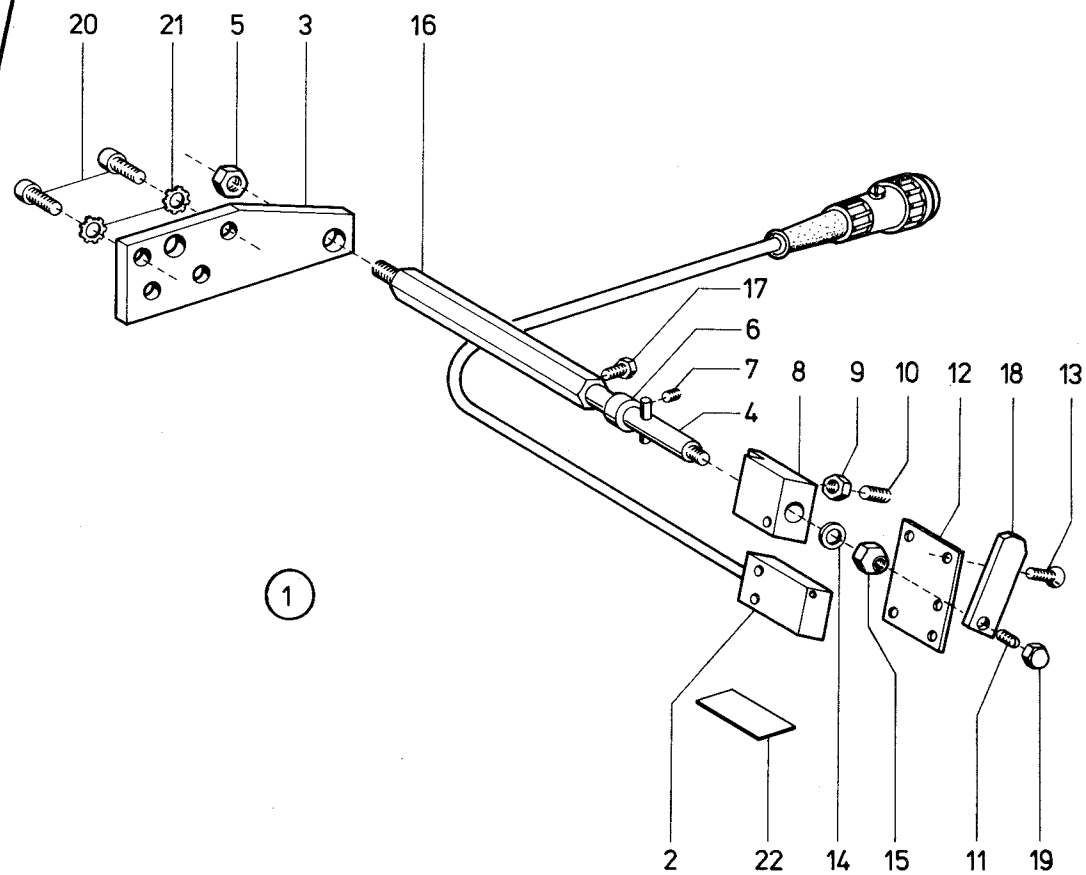
Denomination

Pos. Det.	Teile Nr. Part No.	Benennung	Denomination
--------------	-----------------------	-----------	--------------

Z133 Tafel 55



Kl. Z133 Tafel 56



Z 133

Tafel 55

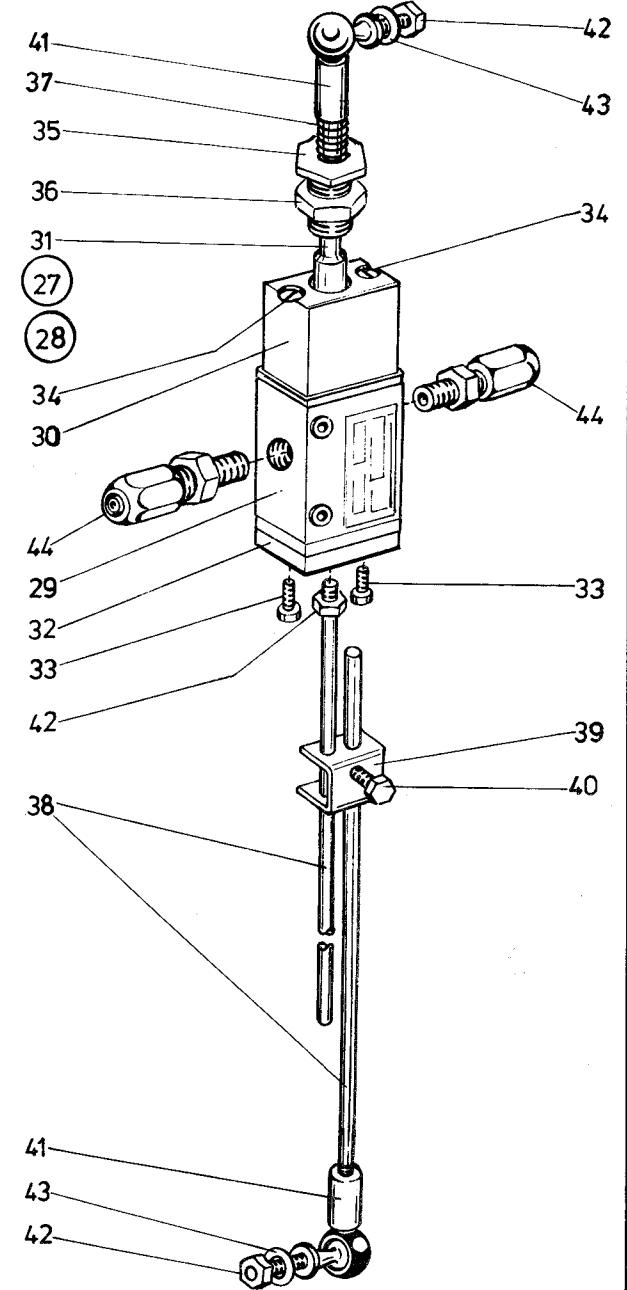
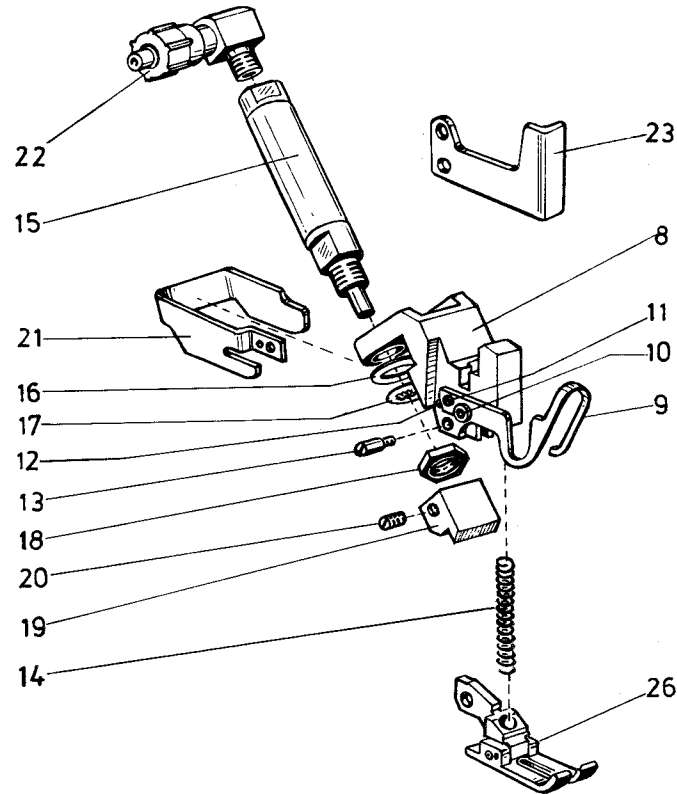
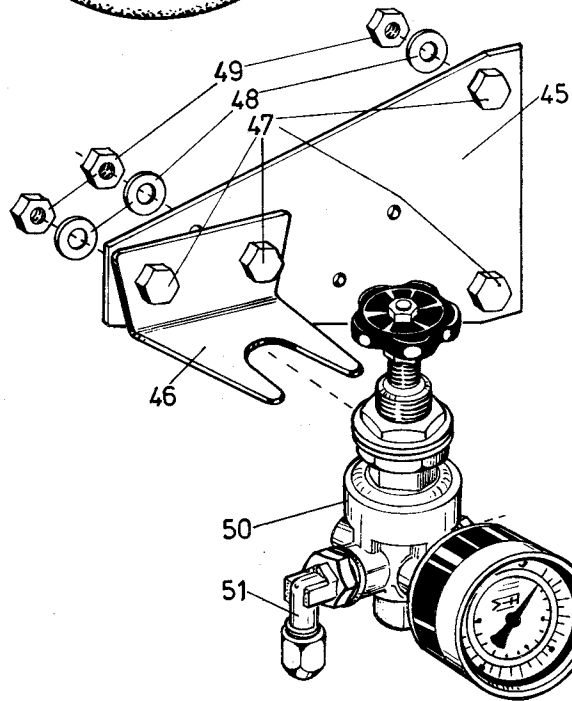
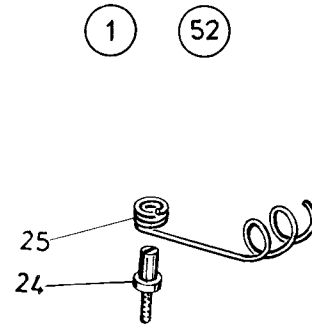
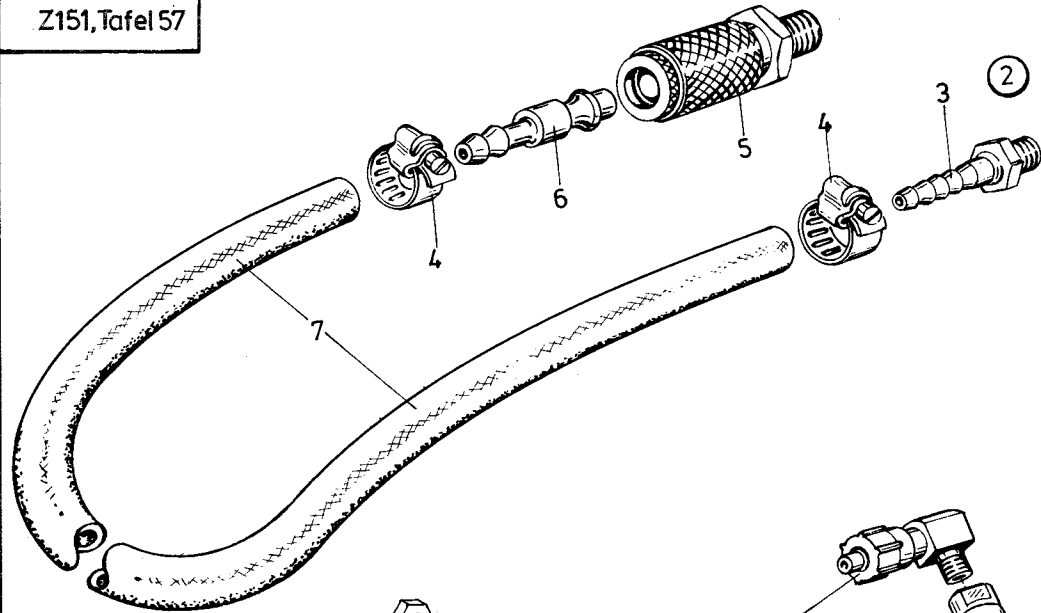
Pos. Det.	Teile Nr. Part No.	Benennung	Denomination
Z 133-1-219			
1	Z133271	Anbausatz kpl. (best. aus Pos. 2 bis 19)	Add-on unit cpl. (cons. of pos. 2 up to 19)
2	2123011	Kopfdeckel (mit Pos. 3)	Face plate (with pos. 3)
3	216471	Rundschnurring	Round cord ring
4	2113093	Ansatzbolzen	Shoulder bolt
5	024275	Scheibe	Washer
6	MG 8/7d	6kt.-Mutter	Hexagonal nut
7	21956308	Winkel	Angle
8	5562068	Zyl.-Schraube	Cyl. head screw
9	557263	Scheibe	Washer
10	Z133242	Winkel	Angle
11	21256838a	Winkel	Angle
12	265565	Zyl.-Schraube	Cyl. head screw
13	024275	Scheibe	Washer
14	24415012	Reflexfolie	Reflex foil
15	Z133103	Lichtschränke	Light barrier
16	902707	Senkschraube	Countersunk screw
17	7441978	Kabelinder	Cable band
18	7991612	Kabelhalter	Cable holder
19	App. 528	Schraube	Screw

Z 133

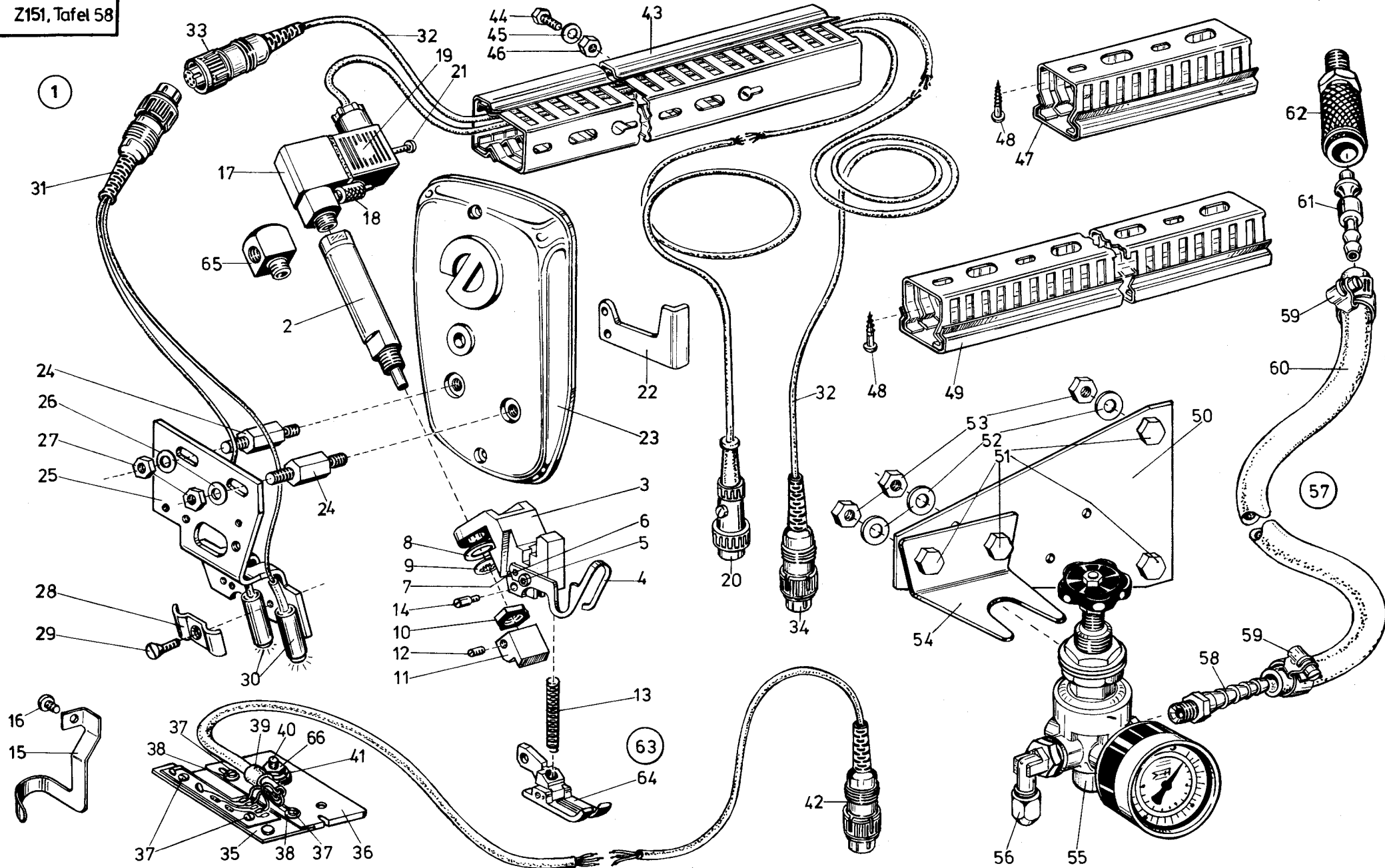
Tafel 56

Pos. Det.	Teile Nr. Part No.	Benennung	Denomination
Z 133-6-219			
1	Z133101	Lichtschränke kpl. (best. aus Pos. 2 bis 22)	Light barrier cpl. (cons. of pos. 2 up to 22)
2	Z133103	Lichtschränke	Light barrier
3	93917416	Lasche	Shackle
4	93917417a	Stange	Rod
5	72042a	6kt.-Mutter	Hexagonal nut
6	93917435a	Stellring kpl. (mit Pos. 7)	Set collar cpl. (with pos. 7)
7	531464	Gewindestift	Threaded stud
8	93917421	Kloben	Block
9	5511824	6kt.-Mutter	Hexagonal nut
10	702117	Gewindestift	Threaded stud
11	2235047	Gewindestift	Threaded stud
12	93917425	Lasche	Shackle
13	902707	Senkschraube	Countersunk screw
14	55890	Scheibe	Washer
15	93917428	Kegelmutter	Conical nut
16	93917412	Bolzen	Bolt
17	5561313a	6kt.-Schraube	Hexagonal screw
18	93917429	Hebel	Lever
19	7395012	Hutmutter	Dome nut
20	246984	Zyl.-Schraube	Cyl. head screw
21	211609	Zahnscheibe	Tooth lock washer
22	7461699a	Reflexfolie	Reflex foil

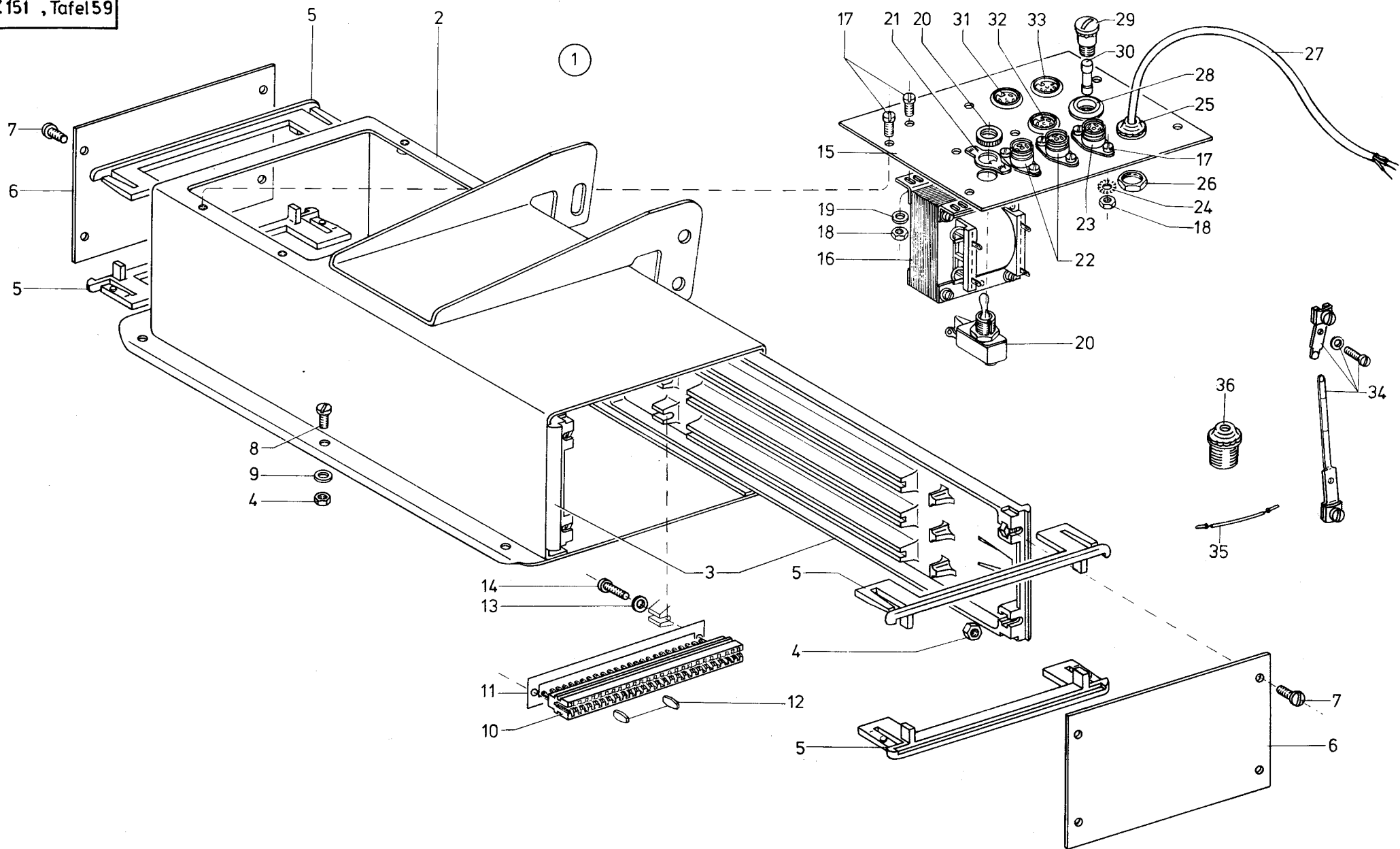
Pos. Det.	Teile Nr. Part No.	Benennung	Denomination
--------------	-----------------------	-----------	--------------

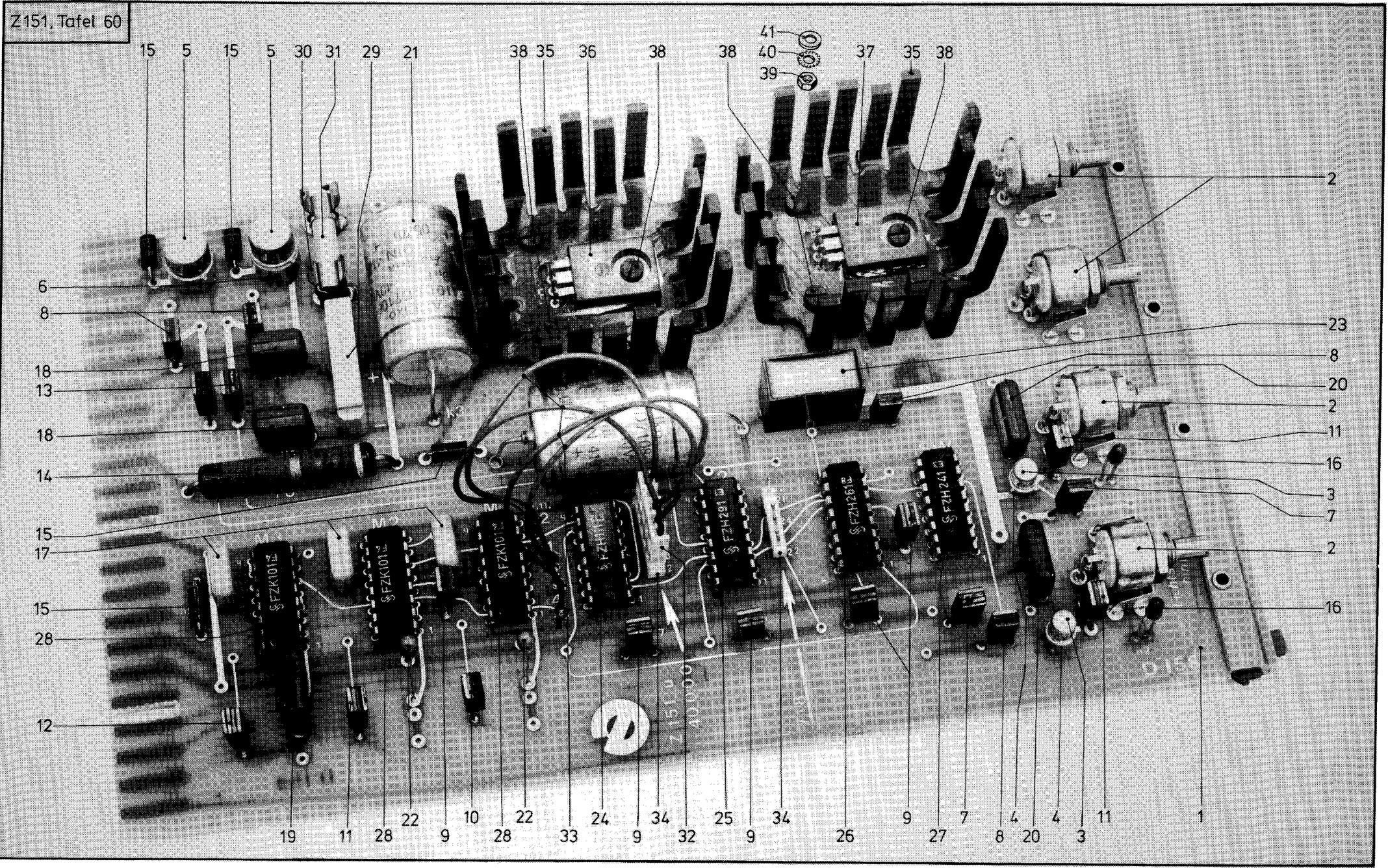


Pos. Det.	Teile Nr. Part No.	Benennung	Denomination	Pos. Det.	Teile Nr. Part No.	Benennung	Denomination	Pos. Det.	Teile Nr. Part No.	Benennung	Denomination
Z 151-101, -102											
Z 151-101											
1	Z151471	Abhacker kpl. (best. aus Pos. 2, 8 bis 25, 27, 45 bis 51)	Chop-off device cpl. (cons. of pos. 2, 8 up to 25, 27, 45 up to 51)	34	74423864	Senkschraube	Countersunk screw				
2	72171	Anschl.-Schlauch (mit Pos. 3 bis 7)	Coupling hose (with pos. 3 up to 7)	35	Z100162	Stellhülse	Adjusting sleeve				
3	Z11538	Schlauchtülle	Hose nozzle	36	TG42/73	Mutter	Nut				
4	7422096	Schlauchklemme	Hose clip	37	246320	Druckfeder	Pressure spring				
5	7441793a	Kupplungsdose	Coupling socket	38	718254	Stange	Rod				
6	7449513	Tülle	Nozzle	39	MG43/403	Klemme	Binder				
7	Z11577	Schlauch	Hose	40	MG43/404	6kt.-Schraube	Hexagonal screw				
8	9339475	Halteklöben kpl. (mit Pos. 9 bis 12)	Mounting block cpl. (with pos. 9 up to 12)	41	5562267	Gelenk	Link				
9	9339444	Fingerschutz	Finger guard	42	MG43/408	6kt.-Mutter	Hexagonal nut				
10	9339478	Zyl.-Schraube	Cyl. head screw	43	557263	Scheibe	Washer				
11	21117	Spannhülse	Clamping sleeve	44	74423566	Schl.-Verschr.	Screwed connection				
12	211567	Spannhülse	Clamping sleeve	45	5701836	Bef.-Platte	Mounting plate				
13	2401265	Schraube	screw	46	72153	Bef.-Winkel	Fastening square				
14	9339445	Druckfeder	Pressure spring	47	MG43/36	6kt.-Schraube	Hexagonal screw				
15	Z151111	Zylinder	Cylinder cpl.	48	72043	Scheibe	Washer				
16	5551085	Scheibe	Washer	49	72042a	6kt.-Mutter	Hexagonal nut				
17	Z151110	Zahnscheibe	Tooth lock washer	50	7427274	Reduzierventil	Reducing valve				
18	Z151109	Mutter	Nut	51	74423556	Winkelverschr.	Square coupling screw				
19	Z151492	Abhacker (mit Pos. 20)	Chop-off device (with pos. 20)	Z 151-102							
20	147203	Gewindestift	Threaded stud	52	Z151541	Abhacker kpl. (best. aus Pos. 2, 8 bis 20, 26, 27, 45 bis 51)	Chop-off device cpl. (cons. of pos 2, 8 up to 20, 26, 27, 45 up to 51)				
21	Z1511605	Fingerschutz	Finger guard	26	Z151544	Hebelfuß-Untert.	Lever foot-unterpart.				
22	74423556	Winkelverschr.	Square coupling screw								
23	9335643	Halteblech	Holding plate								
24	App. 528	Schraube	Screw								
25	7991612	Kabelhalter	Cable clamp								
27	Z100341	Pneum. Schalter kpl. (best. aus Pos. 28 und 37 bis 44)	Pneumatic switch cpl. (cons. of pos. 28 and 37 up to 44)								
28	Z100344	Ventil kpl. (mit Pos. 29 bis 36)	Valve cpl. (with pos. 29 to 36)								
29	7978	3/2-Wege-Ventil	3/2-Directional control valve								
30	Z100156	Lagerstück	Block piece								
31	Z100157	Bolzen	Bolt								
32	Z100159	Platte	Plate								
33	216120	Zyl.-Schraube	Cyl. head screw								



Pos. Det.	Teile Nr. Part No.	Benennung	Denomination	Pos. Det.	Teile Nr. Part No.	Benennung	Denomination	Pos. Det.	Teile Nr. Part No.	Benennung	Denomination
		Z 151-111, -1122									
		Z 151-151									
1	Z151151	Abhacker kpl. (best. aus Pos. 2 bis 62 und 66) Hinzu Tafeln 59 und 60	Chop-off device cpl. (cons of pos. 2 up to 62 and 66) Table 59 and 60 additionally	33	Z151830	Kupplung	Coupling				
2	Z151111	Zylinder	Cylinder	34	Z151357	Stecker	Plug-type connector				
3	9339475	Halteklöben (mit Pos. 4 bis 7)	Retaining block (with pos. 4 up to 7)	35	Z151160	Halteplatte (mit Pos. 36 bis 42)	Mounting plate (with pos. 36 up to 42)				
4	9339444	Fingerschutz	Finger guard	36	Z151161	Abdeckplatte	Cover plate				
5	9339478	Zyl.-Schraube	Cyl. head screw	37	93320031	Schraube	Screw				
6	21117	Spannhülse	Clamping sleeve	38	913629	Scheibe	Washer				
7	211567	Spannhülse	Clamping sleeve	39	94210318	Befest.-Schelle	Fastening clip				
8	5551085	Scheibe	Washer	40	7395347	Senkschraube	Countersunk screw				
9	Z151110	Zahnscheibe	Tooth lock washer	41	5691895	Scheibe	Washer				
10	Z151109	Mutter	Nut	42	Z151340	Stecker	Plug-type connector				
11	Z151492	Abhacker (mit Pos. 12)	Chop-off device (with pos. 12)	43	Z151371	Kabelkanal	Cable channel				
12	147203	Gewindestift	Threaded stud	44	216120	6kt.-Schraube	Hexagonal screw				
13	9339445	Druckfeder	Pressure spring	45	55890	Scheibe	Washer				
14	2401265	Schraube	Screw	46	202704	6kt.-Mutter	Hexagonal nut				
15	Z151114	Fingerschutz	Finger guard	47	Z151375	Kabelkanal	Cable channel				
16	223723	Linsenschraube	Fillister head screw	48	713302	Holzschraube	Wood screw				
17	Z151135	Magnetventil (mit Pos. 18)	Solenoid valve (with pos. 18)	49	798607	Kabelkanal	Cable channel				
18	7221139	Schnellverschr.	Quick coupling screw	50	5701836	Bef.-Platte	Fastening plate				
19	Z151131	Leitung (mit Pos. 20)	Cable (with pos. 20)	51	MG43/36	6kt.-Schraube	Hexagonal screw				
20	93320350	Stecker	Contact plug	52	72043	Scheibe	Washer				
21	739404	Zyl.-Schraube	Cyl. head screw	53	72042a	6kt.-Mutter	Hexagonal nut				
22	9335643	Halteblech	Holding plate	54	72153	Bef.-Winkel	Fastening square				
23	2123012	Kopfdeckel	Face plate	55	7427274	Reduzierventil	Reducing valve				
24	Z151848a	Bolzen	Bolt	56	74423556	Winkelverschr.	Square coupling screw				
25	Z151844	Lichtschr.-Halter	Light barrier support	57	72171	Anschlußschlauch (mit Pos. 58 bis 62)	Coupling hose (with pos. 58 up to 62)				
26	024275	Scheibe	Washer	58	Z11538	Schlauchtülle	Sleeve				
27	237202	6kt.-Mutter	Hexagonal nut	59	7422096	Schlauchklemme	Hose clip				
28	Z151846	Halteblech	Holding plate	60	Z11577	Schlauch	Hose				
29	9312131	Senkschraube	Countersunk screw	61	7449513	Tülle	Sleeve				
30	Z151831a	Lichtschr.-Sender (mit Pos. 31)	Light barrier sender (with pos. 31)	62	7441793a	Kupplungsdose	Coupling socket				
31	Z151340	Stecker	Contact plug	66	202704	Mutter	Nut				
32	Z151827	Leitung (mit Pos. 33 und 34)	Cable (with pos. 33 and 34)								
						Z 151-112					
				63	Z151571	Abhacker kpl. (best. aus Pos. 2 bis 22, 24 bis 62 und Pos. 64, 65, 66) Hinzu Tafeln 59 u. 60	Chop-off device cpl. (cons. of pos. 2 up to 22, 24 up to 62 and pos. 64, 65, 66) Table 59 and 60 additionally				
				64	Z151544	Fuß-Untert.	Foot-underpart				
				65	P12153	L-Winkelstück	L-square piece				





15 5 15 5 30 31 29 21

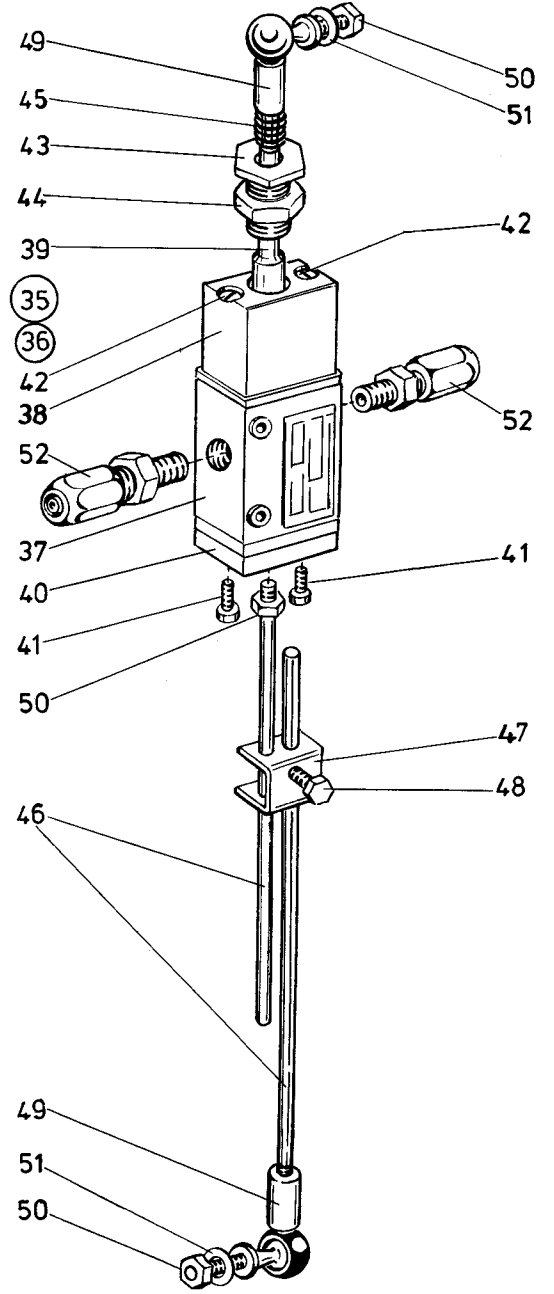
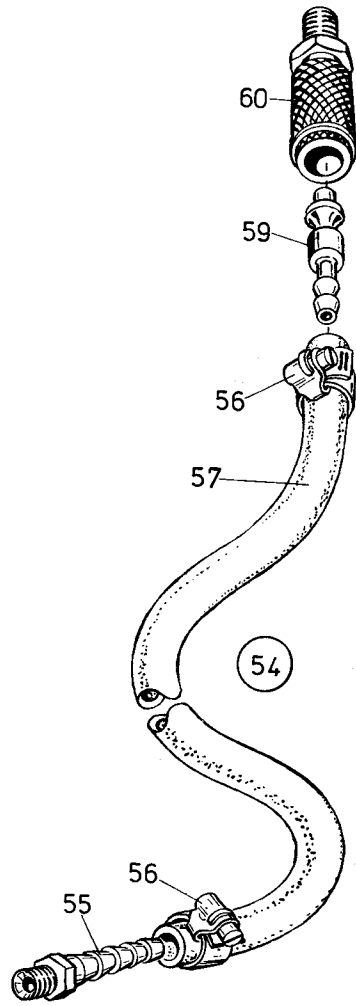
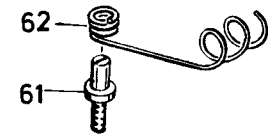
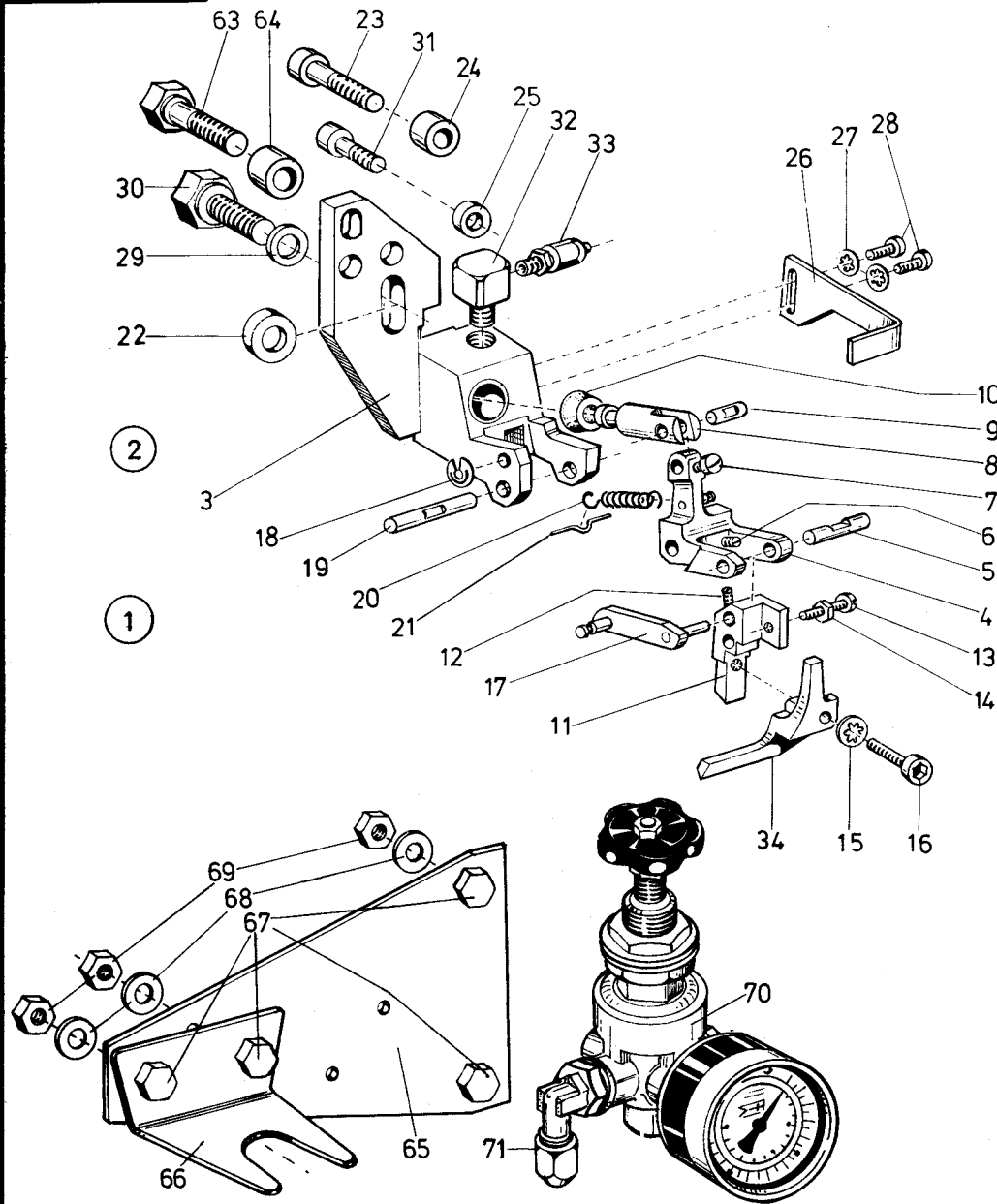
38 35 36 38 38

41
40
39 37 35 38

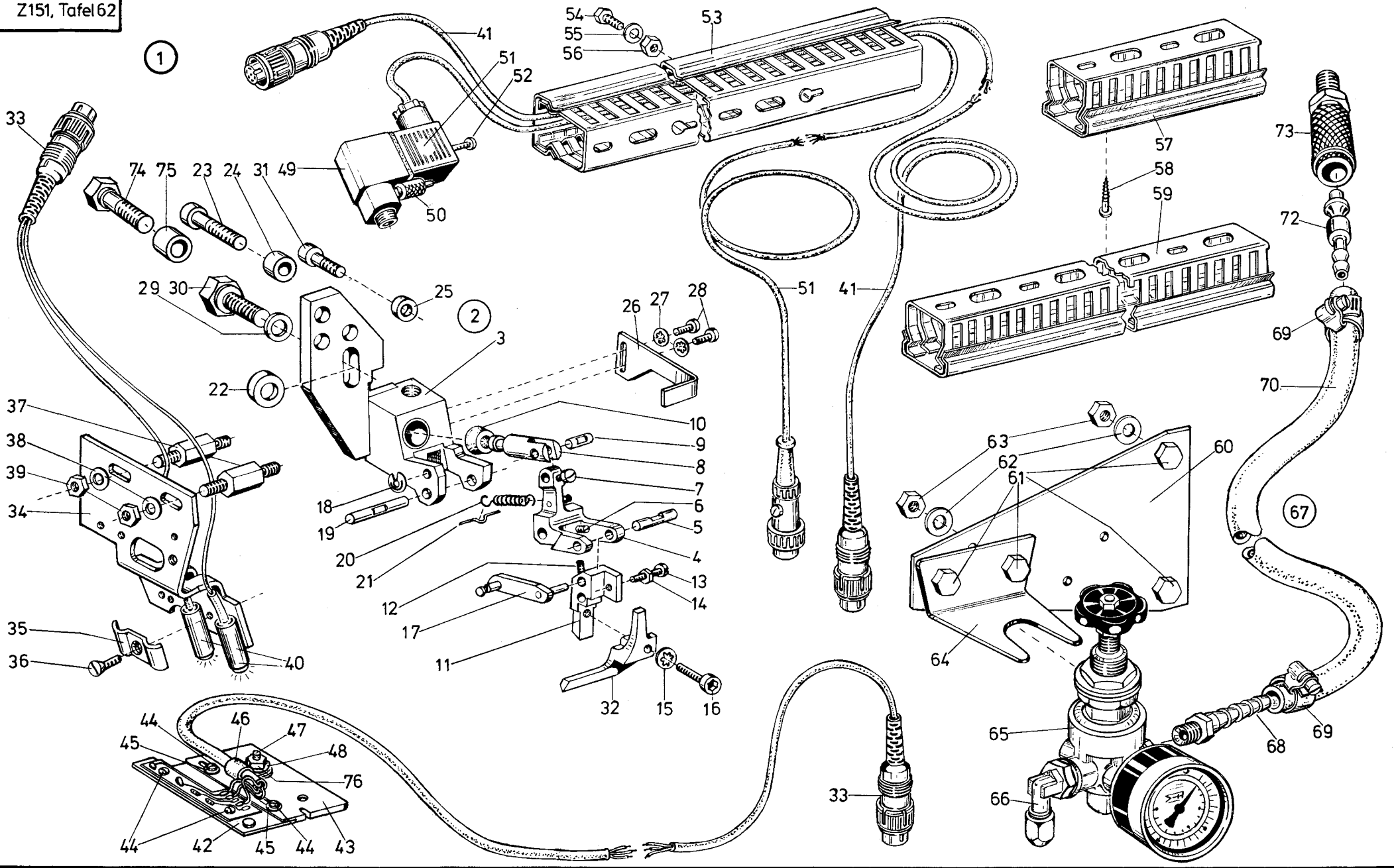
6
8
18
13
18
14
15
17
15
28
12

2
23
8
20
2
11
16
3
7
2
16
1

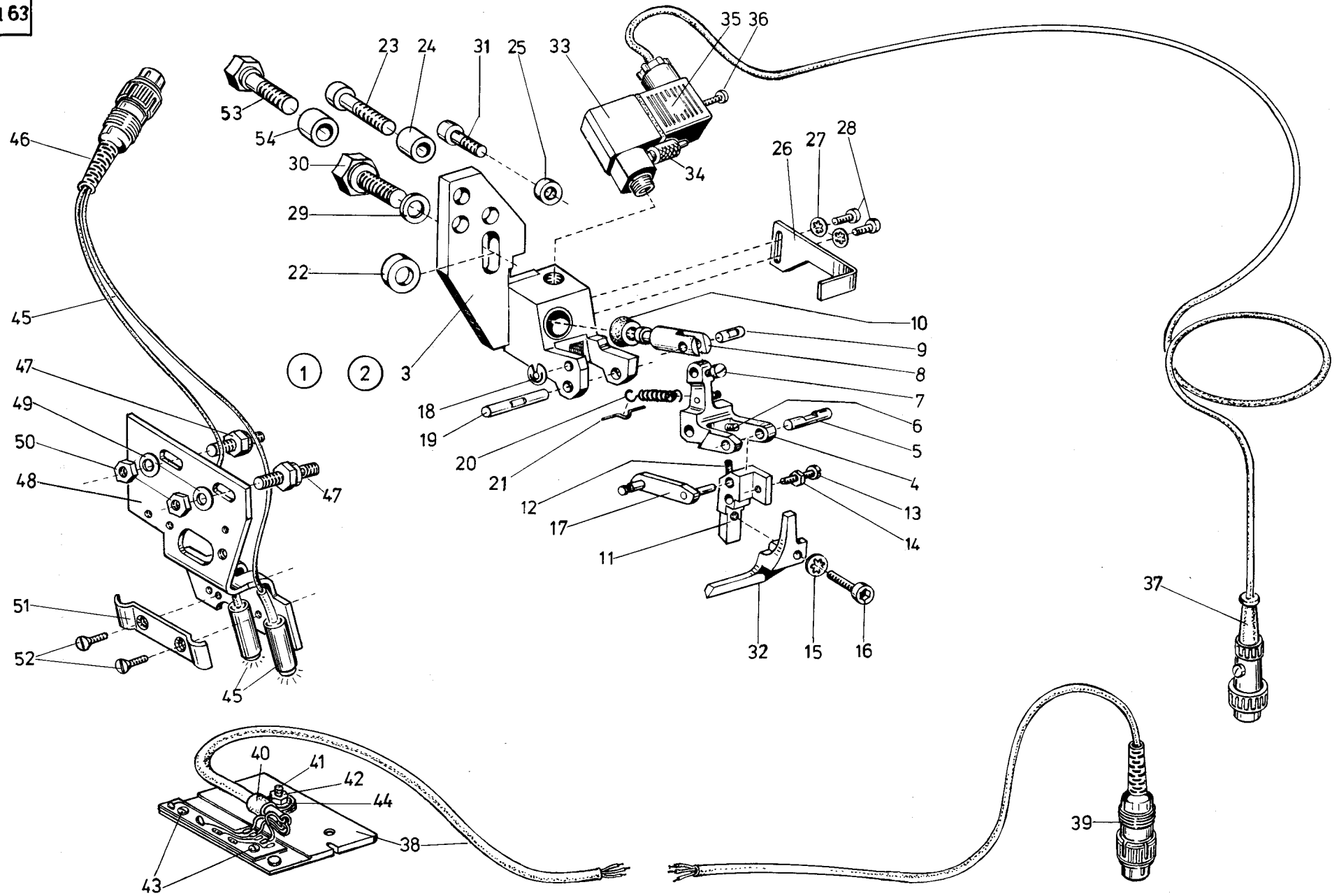
19 11 28 22 9 10 28 33 24 9 34 32 25 9 34 26 9 27 7 8 4 20 4 3 11

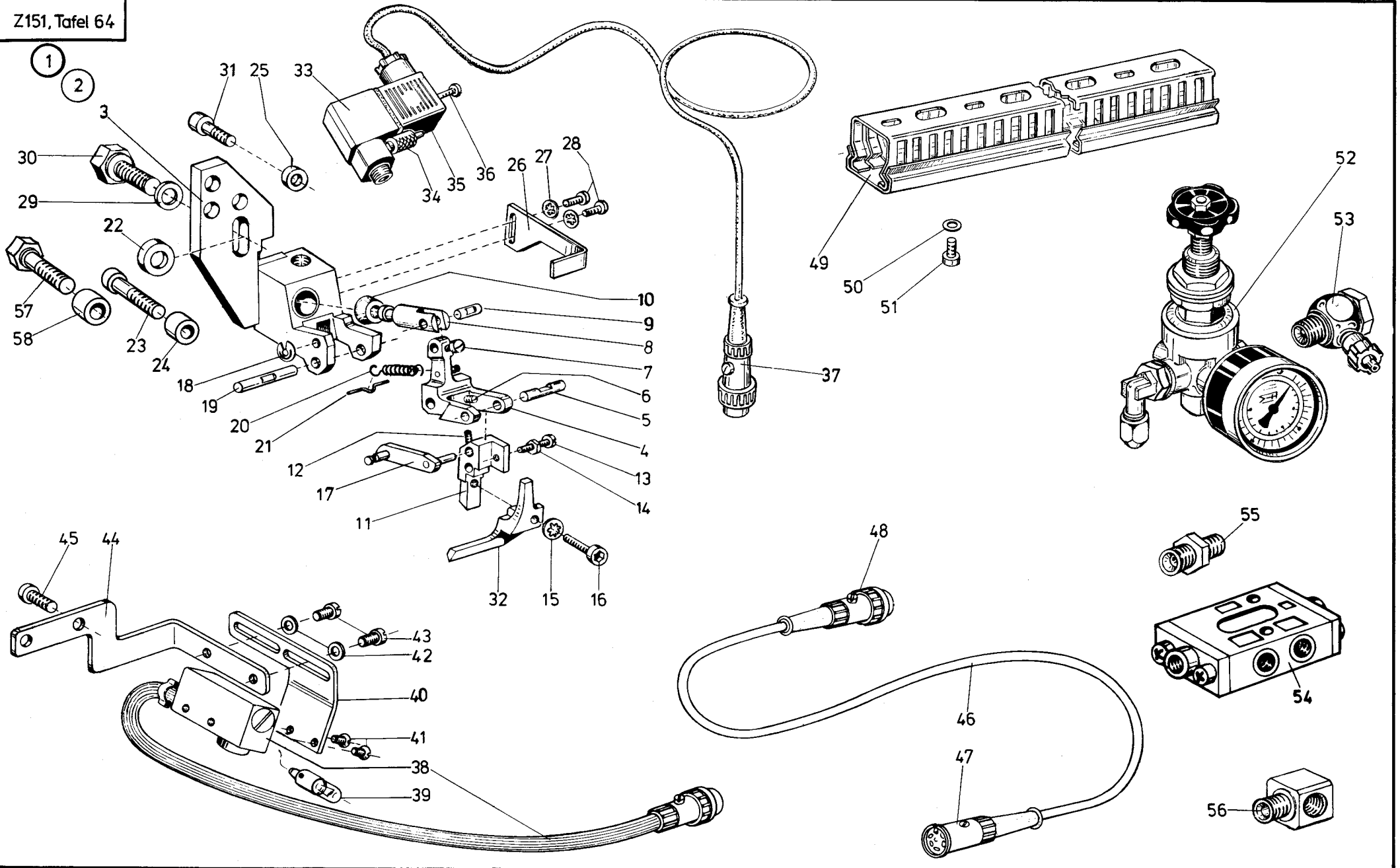


1



Pos. Det.	Teile Nr. Part No.	Benennung	Denomination	Pos. Det.	Teile Nr. Part No.	Benennung	Denomination	Pos. Det.	Teile Nr. Part No.	Benennung	Denomination
Z 151-211											
1	Z 151691	Abhacker kpl. (best. aus Pos. 2, 32 bis 76. Hinzu Tafel 59 und 60)	Chop-off device cpl. (cons. of pos. 2, 32 up to 76. Table 59 and 60 additonally)	37	2113016	Bolzen	Bolt				
2	Z 151601	Abhacker kpl. (best. aus Pos. 3 bis 31 und 74, 75)	Chop-off device cpl. (cons. of pos. 3 up to 31 and 74, 75)	38	024275	Scheibe	Washer				
3	Z 151604	Halteklöben	Mounting block	39	237202	6kt.-Mutter	Hexagonal nut				
4	Z 151611	Übertr.-Hebel	Transmission lever	40	Z 151831a	Lichtschr.-Send.	Light barrier sender				
5	Z 151627	Nadelrolle	Needle roll	41	Z 151827	Leitung	Cable				
6	380117	Gewindestift	Threaded stud	42	Z 151160	Halteplatte (mit Pos. 43 bis 48, 33)	Mounting plate (with pos. 43 up to 48, 33)				
7	5691389	Schraube	Screw	43	Z 151161	Abdeckplatte	Cover plate				
8	Z 151618	Schubstange	Push rod	44	93320031	Schraube	Screw				
9	Z 151622	Nadelrolle	Needle roll	45	913629	Scheibe	Washer				
10	21154075	Dichtring	Gasket ring	46	94230318	Befest.-Schelle	Fastening clip				
11	Z 151623	Messerhalter kpl. (mit Pos. 12)	Knife holder cpl. (with pos. 12)	47	7395347	Senkschraube	Countersunk screw				
12	70273	Gewindestift	Threaded stud	48	5691895	Scheibe	Washer				
13	911210	Schraube	Screw	49	Z 151135	Magnetventil (mit Pos. 50)	Solenoid valve (with pos. 50)				
14	5511824	6kt.-Mutter	Hexagonal nut	50	7221139	Schnellversch.	Quick connected screw				
15	911267	Zahnscheibe	Tooth lock washer	51	Z 151131	Leitung	Cable cpl.				
16	Z 151626	Zyl.-Schraube	Cyl. head screw	52	739404	Zyl.-Schraube	Cyl. head screw				
17	Z 151629	Lasche	Shackle	53	Z 151371	Kabelkanal	Cable channel				
18	10019239	Wellensicher.	Radial packing washer	54	216120	6kt.-Schraube	Hexagonal screw				
19	Z 151615	Nadelrolle	Needle roll	55	55890	Scheibe	Washer				
20	Z 151634	Zugfeder	Draw spring	56	202704	6kt.-Mutter	Hexagonal nut				
21	246134	Drahtbügel	Wire strap	57	Z 151375	Kabelkanal	Cable channel				
22	57010047	Scheibe	Washer	58	713302	Holzschraube	Wood screw				
23	5701594	Zyl.-Schraube	Cyl. head screw	59	798607	Kabelkanal	Cable channel				
24	93916829	Distanzscheibe	Distance washer	60	5701836	Bef.-Platte	Mounting plate				
25	556457	Distanzscheibe	Distance washer	61	MG43/36	6kt.-Schraube	Hexagonal screw				
26	Z 151643	Anschlag	Stop	62	72043	Scheibe	Washer				
27	739347	Zahnscheibe	Tooth lock washer	63	72042a	6kt.-Mutter	Hexagonal nut				
28	70266	Zyl.-Schraube	Cyl. head screw	64	72153	Bef.-Winkel	Fastening square				
29	422277	Scheibe	Washer	65	7427274	Reduzierventil	Reducing valve				
30	Z 151642	6kt.-Schraube	Hexagonal screw	66	74423556	Winkel-Versch.	Square coupling screw				
31	7425374	Zyl.-Schraube	Cyl. head screw	67	72171	Anschluß kpl. (best. aus Pos. 68 bis 73)	Coupling hose cpl. (cons. of pos. 68 up to 73)				
32	Z 151670	Trennmesser	Ripping knife	68	Z 11538	Schlauchtülle	Hose nozzle				
33	Z 151340	Stecker	Contact plug	69	7422096	Schlauchklemme	Hose clip				
34	Z 151844	Lichtschr.-Halter	Light barrier support	70	Z 11577	Schlauch	Hose				
35	Z 151846	Halteblech	Holding plate	72	7449513	Tülle	Nozzle				
36	9312131	Senkschraube	Countersunk screw	73	7441793a	Kupplungsdose	Coupling socket				
				74	216211	Schraube	Screw				
				75	93916830	Distanzscheibe	Distance washer				
				76	202704	Mutter	Nut				

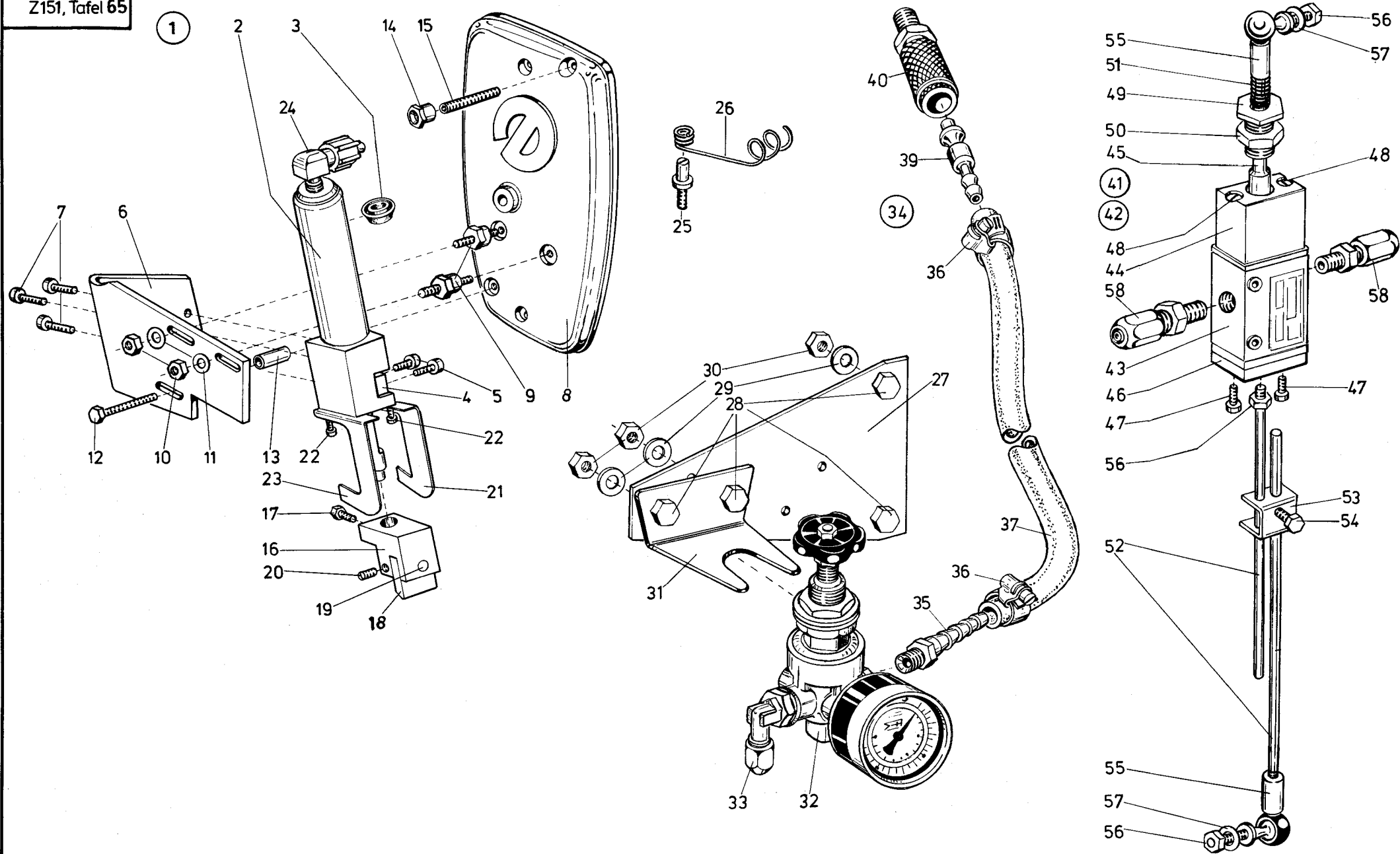




Pos. Det.	Teile Nr. Part No.	Benennung	Denomination
Z 151-221			
1	Z151751	Abhacker kpl. (best. aus Pos. 2 und 32 bis 56)	Chop-off device cpl. (cons. of pos. 2 and 32 up to 56)
2	Z151601	Abhacker kpl. (best. aus Pos. 3 bis 31, 57, 58)	Chop-off device cpl. (cons. of pos. 3 up to 31, 57, 58)
3	Z151604	Haltekloben	Mounting block
4	Z151611	Übertr.-Hebel	Transmission lever
5	Z151627	Nadelrolle	Needle roll
6	380117	Gewindestift	Threaded stud
7	5691389	Schraube	Screw
8	Z151618	Schubstange	Push rod
9	Z151622	Nadelrolle	Needle roll
10	21154075	Dichtring	Gasket ring
11	Z151623	Messer-Halter	Knife holder
12	70273	Gewindestift	Threaded stud
13	911210	Schraube	Screw
14	5511824	6kt.-Mutter	Hexagonal nut
15	911267	Zahnscheibe	Tooth lock washer
16	Z151626	Zyl.-Schraube	Cyl. head screw
17	Z151629	Lasche	Shackle
18	10019239	Wellensicher.	Radial packing washer
19	Z151615	Nadelrolle	Needle roll
20	Z151634	Zugfeder	Draw spring
21	246134	Drahtbügel	Wire strap
22	57010047	Scheibe	Washer
23	5701594	Zyl.-Schraube	Cyl. head screw
24	93916829	Distanzscheibe	Distance washer
25	556457	Distanzscheibe	Distance washer
26	Z151643	Anschlag	Stop
27	739347	Zahnscheibe	Tooth lock washer
28	70266	Zyl.-Schraube	Cyl. head screw
29	422277	Scheibe	Washer
30	Z151642	6kt.-Schraube	Hexagonal screw
31	7425374	Zyl.-Schraube	Cyl. head screw
32	Z151670	Trennmesser	Ripping knife
33	Z151135	Magnetventil (mit Pos. 34)	Solenoid valve (with pos. 34)
34	7221139	Schnellverschr.	Quick connected screw
35	Z151131	Leitung (mit Pos. 37)	Cable (with pos. 37)
36	739404	Zyl.-Schraube	Cyl. head screw

Pos. Det.	Teile Nr. Part No.	Benennung	Denomination
37	93320350	Stecker	Contact plug
38	93311589	Lichtschranke (mit Pos. 39)	Light barrier (with pos. 39)
39	93311589a	Lampe	Lamp
40	24415009	Winkel	Square
41	558579	Senkschraube	Countersunk screw
42	024275	Scheibe	Washer
43	216123	Zyl.-Schraube	Cyl. head screw
44	21956308	Winkel	Square
45	5562068	Zyl.-Schraube	Cyl. head screw
46	24415022	Leitung (mit Pos. 47, 48)	Cable (with pos. 47, 48)
47	7444872	Stecker	Contact plug
48	7444873	Kupplung	Coupling
49	798676	Kabelkanal	Cable channel
50	55890	Scheibe	Washer
51	739255	Zyl.-Schraube	Cyl. head screw
52	7427274	Reduzierventil	Reducing valve
53	7422273	L-Verschr.	L-Screwed connection
54	7449431	3/2-Wege-Ventil	3/2-Directional control valve
55	7441819	Doppelnippel	Double nipple
56	P12153	L-Winkelstück	L-square piece
57	216211	Schraube	Screw
58	93916830	Distanzscheibe	Distance washer

Pos. Det.	Teile Nr. Part No.	Benennung	Denomination
--------------	-----------------------	-----------	--------------

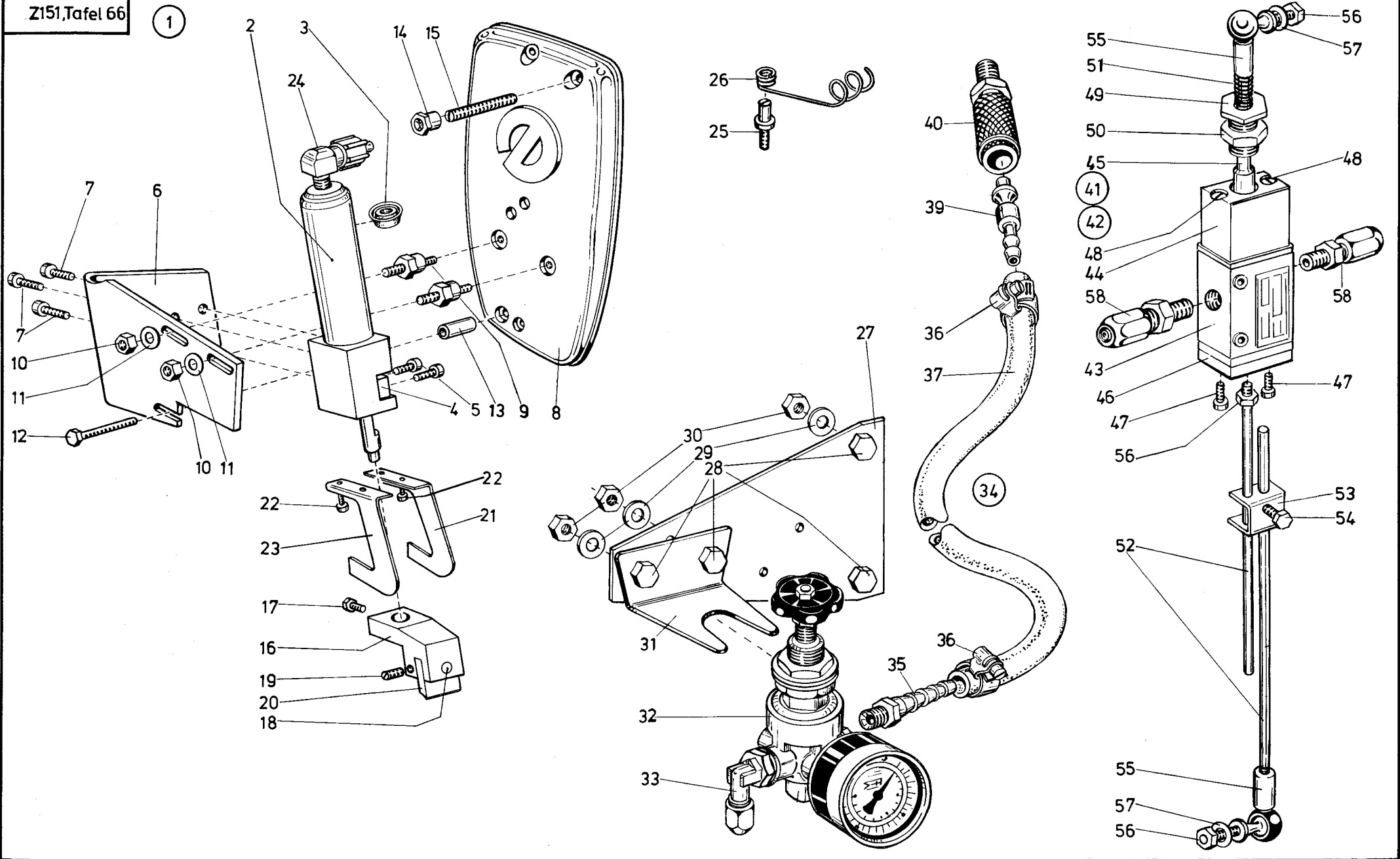


Pos. Det.	Teile Nr. Part No.	Benennung	Denomination
Z 151-301-211			
1	Z 1511041	Abhacker kpl. (best. aus Pos. 2 bis 33, 34 und 41)	Chop-off device cpl. (cons. of pos. 2 up to 333, 34 and 41)
2	Z 151992	Halter (mit Pos. 3, 4, 5)	Holding device cpl. (with pos. 3, 4, 5)
3	7461547	Lippenring	Lip seal
4	Z 151997	Platte	Plate
5	531473	Zyl.-Schraube	Cyl. head screw
6	Z 1511045	Haltewinkel	Supporting square
7	531473	Zyl.-Schraube	Cyl. head screw
8	Z 1511042	Kopfdeckel	Face plate
9	Z 113016	Spezialschraube	Special screw
10	MG8/7d	6kt.-Mutter	Hexagonal nut
11	024275	Scheibe	Washer
12	911679a	6kt.-Schraube	Hexagonal screw
13	Z 1511047	Abstandshülse	Distance sleeve
14	9421424	Bundmutter	Collar nut
15	Z 1511049	Gewindestift	Threaded stud
16	Z 1511053	Messerhalter (mit Pos. 17, 19, 20)	Knife holder (with pos. 17, 19, 20)
17	5561313a	Bef.-Schraube	Fastening screw
18	Z 1511059	Messer	Knife
19	265131	Bolzen	Bolt
20	5411395	Gewindestift	Threaded stud
21	Z 1511061	Fingerschutz	Finger guard
22	55830	Zyl.-Schraube	Cyl. head screw
23	Z 1511062	Fingerschutz	Finger guard
24	74423556	Winkel-Versch.	Square coupling screw
25	App. 528	Schraube	Screw
26	7991612	Kabelhalter	Cable clamp
27	5701836	Bef.-Platte	Mounting plate
28	MG 43/36	6kt.-Schraube	Hexagonal screw
29	72043	Scheibe	Washer
30	72042a	6kt.-Mutter	Hexagonal nut
31	72153	Bef.-Winkel	Fastening square
32	7427274	Reduzierventil	Reducing valve
33	74423556	Winkel-Versch.	Square coupling screw
34	72171	Anschluß kpl. (best. aus Pos. 35 bis 40)	Coupling hose cpl. (cons. of pos. 35 up to 40)
35	Z 11538	Schlauchtülle	Hose nozzle
36	7422096	Schlauchklemme	Hose clip

Pos. Det.	Teile Nr. Part No.	Benennung	Denomination
37	Z 11577	Schlauch	Hose
39	7449513	Tülle	Nozzle
40	7441793a	Kupplungsdose	Coupling socket
41	Z 100341	Pneum. Schalt. kpl. (best. aus Pos. 42 und 51 bis 58)	Pneumatic switch cpl. (cons. of pos. 42 and 51 up to 58)
42	Z 100344	Ventil kpl. (best. aus Pos. 43 bis 50)	Solenoid valve cpl. (cons. of pos. 43 up to 50)
43	7978	3/2-Wege-Ventil	3/2-Directional control valve
44	Z 100156	Lagerstück	Block piece
45	Z 100157	Bolzen	Bolt
46	Z 100159	Platte	Plate
47	216120	Zyl.-Schraube	Cyl. head screw
48	74423864	Senkschraube	Countersunk screw
49	Z 100162	Stellhülse	Adjusting sleeve
50	TG 42/73	Mutter	Nut
51	246320	Druckfeder	Pressure spring
52	718254	Stange	Rod
53	MG 43/403	Klemme	Binder
54	MG 43/404	6kt.-Schraube	Hexagonal screw
55	5562267	Gelenk	Link
56	MG 43/408	6kt.-Mutter	Hexagonal nut
57	557263	Scheibe	Washer
58	74423566	Verschraubung	Screwed connection

Pos. Det.	Teile Nr. Part No.	Benennung	Denomination
--------------	-----------------------	-----------	--------------

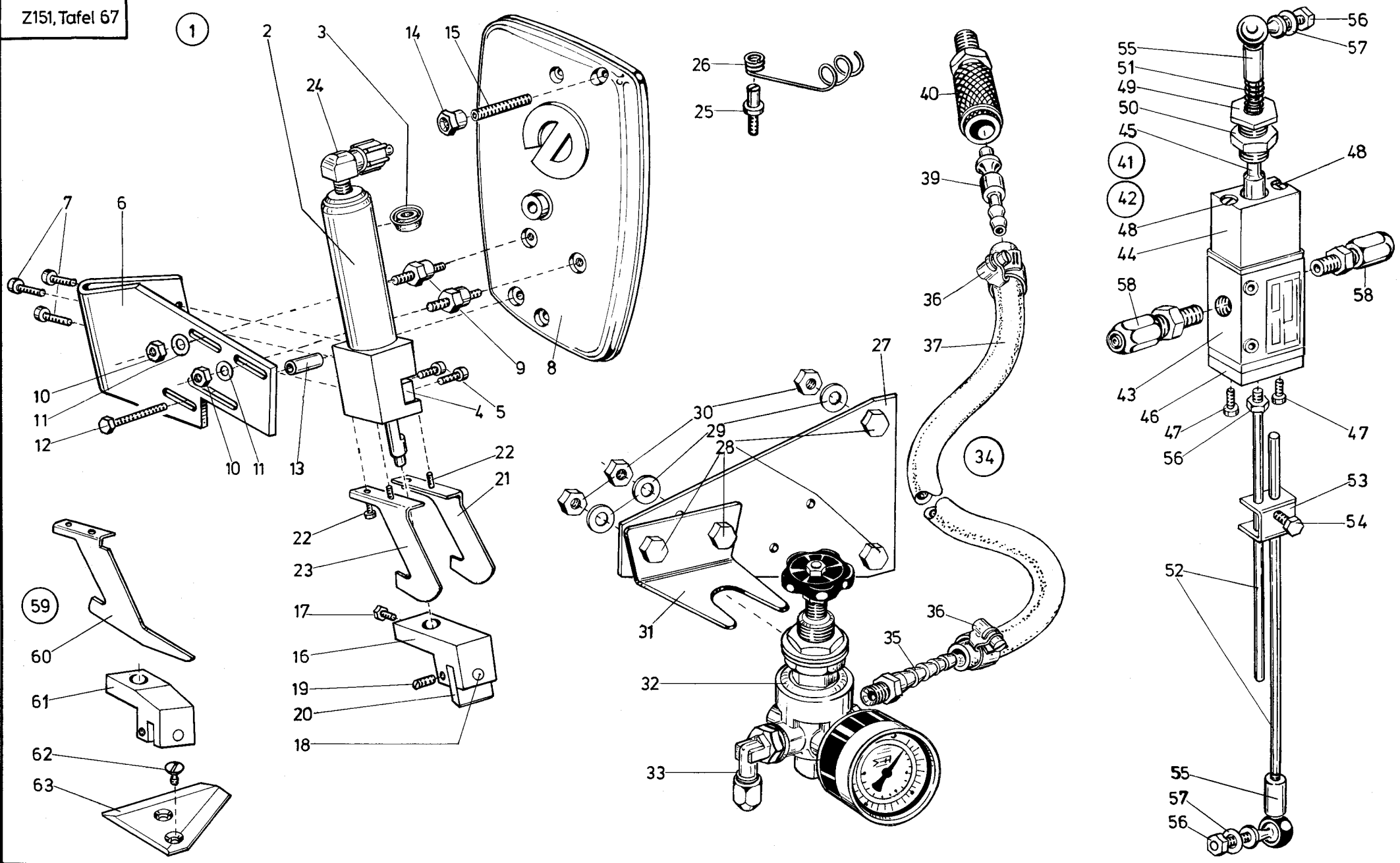
1



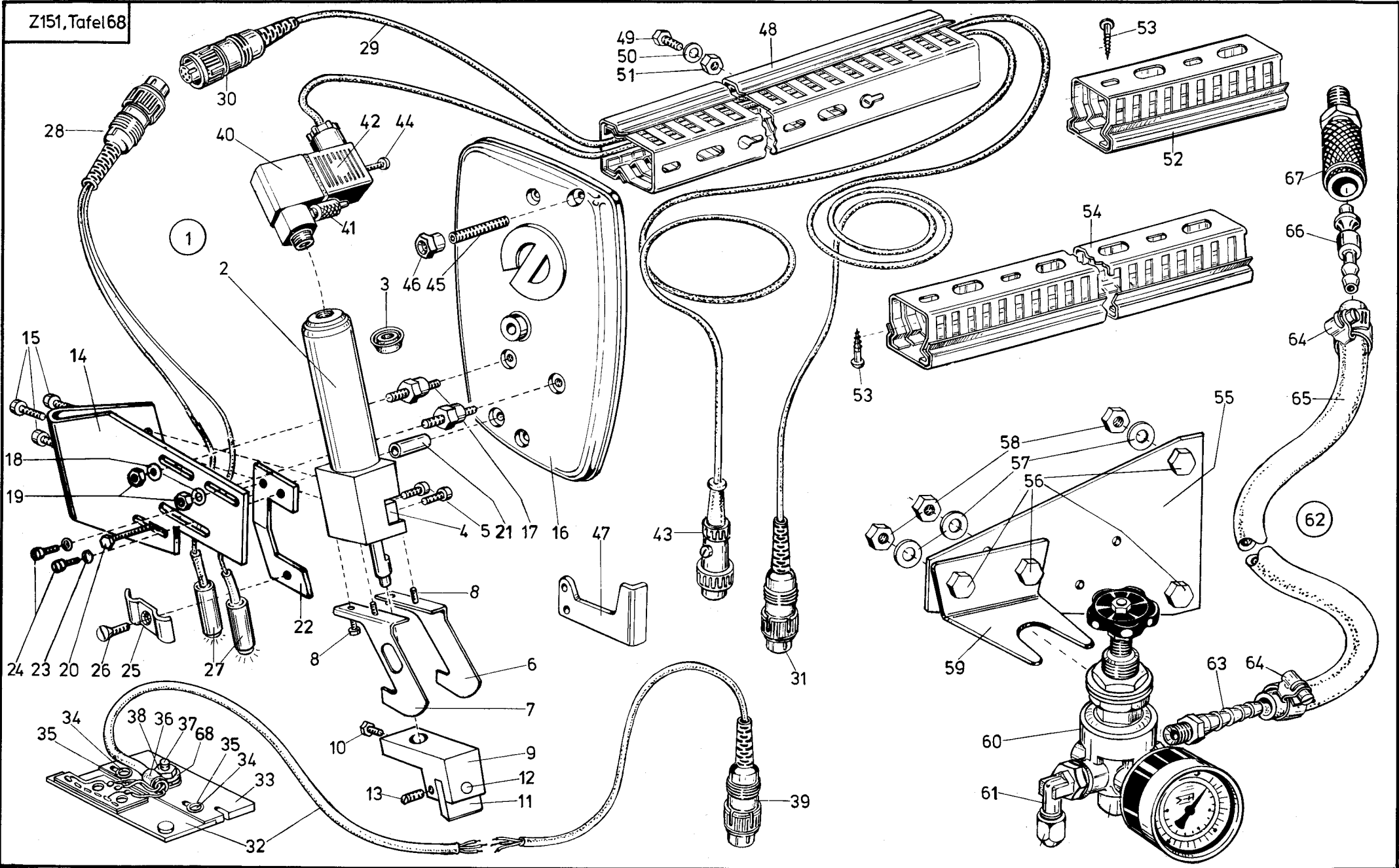
Pos. Det.	Teile Nr. Part No.	Benennung	Denomination
Z 151-301-265			
1	Z 1511101	Abhacker kpl. (best. aus Pos. 2 bis 33, Pos. 34 und 41)	Chop-off device cpl. (cons. of pos. 2 up to 33, 34 and 41)
2	Z 151992	Halter (mit Pos. 3, 4, 5)	Holding device cpl. (with pos. 3, 4, 5)
3	7461547	Lippenring	Lip seal
4	Z 151997	Platte	Plate
5	531473	Zyl.-Schraube	Cyl. head screw
6	Z 1511105	Haltewinkel	Supporting square
7	531473	Zyl.-Schraube	Cyl. head screw
8	Z 1511102	Kopfdeckel	Face plate
9	2113016	Spezialschraube	Special screw
10	MG8/7d	6kt.-Mutter	Hexagonal nut
11	024275	Scheibe	Washer
12	911679a	6kt.-Schraube	Hexagonal screw
13	Z 1511047	Abstandshülse	Distance sleeve
14	9421424	Bundmutter	Collar nut
15	Z 1511160	Gewindestift	Threaded stud
16	Z 1511115	Messerhalter (mit Pos. 17, 18, 19)	Knife holder (with pos. 17, 18, 19)
17	5561313a	Bef.-Schraube	Fastening screw
18	265131	Bolzen	Bolt
19	5411395	Gewindestift	Threaded stud
20	Z 1511059	Messer	Knife
21	Z 1511122	Fingerschutz	Finger guard
22	55830	Zyl.-Schraube	Cyl. head screw
23	Z 1511123	Fingerschutz	Finger guard
24	74423556	Winkel-Verschr.	Square coupling screw
25	App. 528	Schraube	Screw
26	7991612	Kabelhalter	Cable clamp
27	5701836	Bef.-Platte	Mounting plate
28	MG43/36	6kt.-Schraube	Hexagonal screw
29	72043	Scheibe	Washer
30	72042a	6kt.-Mutter	Hexagonal nut
31	72153	Bef.-Winkel	Fastening square
32	7427274	Reduzierventil	Reducing valve
33	74423556	Winkel-Verschr.	Square coupling screw
34	72171	Anschluß kpl. (best. aus Pos. 35 bis 40)	Coupling hose cpl. (cons. of pos. 35 up to 40)
35	Z 11538	Schlauchtülle	Hose nozzle
36	7422096	Schlauchklemme	Hose clip

Pos. Det.	Teile Nr. Part No.	Benennung	Denomination
37	Z 11577	Schlauch	Hose
39	7449513	Tülle	Nozzle
40	7441793a	Kupplungsdose	Coupling socket
41	Z 100341	Pneum. Schalt. kpl. (best. aus Pos. 42 und Pos. 51 bis 58)	Pneumatic switch cpl. (cons. of pos. 42 and pos. 51 up to 58)
42	Z 100344	Ventil kpl. (best. aus Pos. 43 bis 50)	Solenoid valve cpl. (cons. of pos. 43 up to 50)
43	7978	3/2-Wege-Ventil	3/2 Directional control valve
44	Z 100156	Lagerstück	Block piece
45	Z 100157	Bolzen	Bolt
46	Z 100159	Platte	Plate
47	216120	Zyl.-Schraube	Cyl. head screw
48	74423864	Senkschraube	Countersunk screw
49	Z 100162	Stellhülse	Adjusting sleeve
50	TG42/73	Mutter	Nut
51	246320	Druckfeder	Pressure spring
52	718254	Stange	Rod
53	MG43/403	Klemme	Binder
54	MG43/404	6kt.-Schraube	Hexagonal screw
55	5562267	Gelenk	Link
56	MG43/408	6kt.-Mutter	Hexagonal nut
57	557263	Scheibe	Washer
58	74423566	Verschraubung	Screwed connection

Pos. Det.	Teile Nr. Part No.	Benennung	Denomination
--------------	-----------------------	-----------	--------------



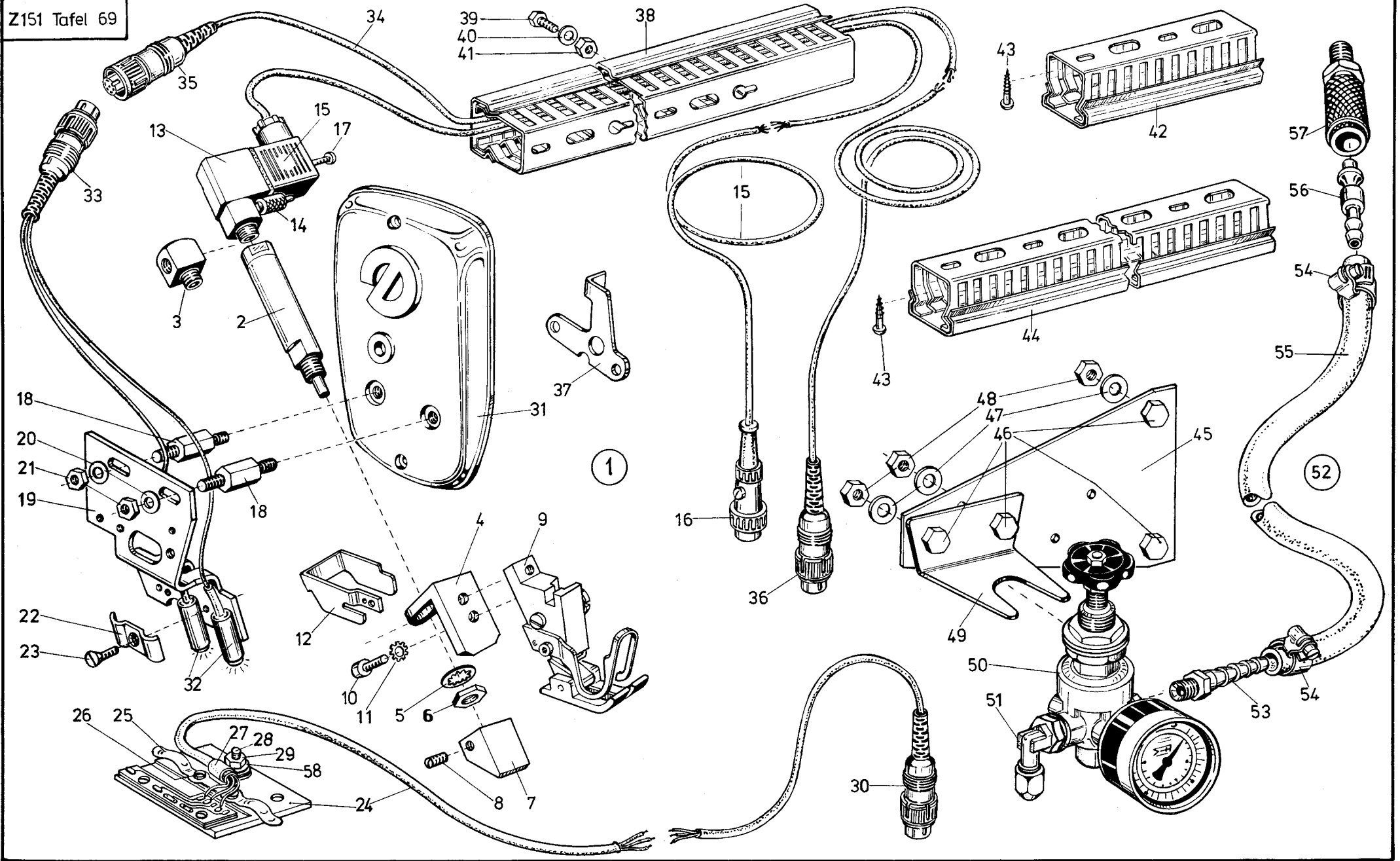
Pos. Det.	Teile Nr. Part No.	Benennung	Denomination	Pos. Det.	Teile Nr. Part No.	Benennung	Denomination	Pos. Det.	Teile Nr. Part No.	Benennung	Denomination
		Z 151-301-933, -401									
		Z 151-301-933									
1	Z1511151	Abhacker kpl. (best. aus Pos. 2 bis 33, Pos. 34 und 41)	Chop-off device cpl. (cons. of pos. 2 up to 33, 34 and 41)	35	Z11538	Schlauchtülle	Hose nozzle				
2	Z151992	Halter (mit Pos. 3, 4, 5)	Holding device cpl. (with pos. 3, 4, 5)	36	7422096	Schlauchklemme	Hose clip				
3	7461547	Lippenring	Lip seal	37	Z11577	Schlauch	Hose				
4	Z151997	Platte	Plate	39	7449513	Tülle	Nozzle				
5	531473	Zyl.-Schraube	Cyl. head screw	40	7441793a	Kupplungsdose	Coupling socket				
6	Z1511155	Haltewinkel	Supporting square	41	Z100341	Pneum. Schalt. kpl. (best. aus Pos. 42 und Pos. 51 bis 58)	Pneumatic switch cpl. (cons. of pos. 42 and pos. 51 up to 58)				
7	531473	Zyl.-Schraube	Cyl. head screw	42	Z100344	Ventil kpl. (best. aus Pos. 43 bis 50)	Solenoid valve cpl. (cons. of pos. 43 up to 50)				
8	Z1511152	Kopfdeckel	Face plate	43	7978	3/2-Wege-Ventil	3/2 Directional control valve				
9	2113016	Spezialschraube	Special screw	44	Z100156	Lagerstück	Block piece				
10	MG8/7d	6kt.-Mutter	Hexagonal nut	45	Z100157	Bolzen	Bolt				
11	024275	Scheibe	Washer	46	Z100159	Platte	Plate				
12	911679a	6kt.-Schraube	Hexagonal screw	47	216120	Zyl.-Schraube	Cyl. head screw				
13	Z1511047	Abstandshülse	Distance sleeve	48	74423864	Senkschraube	Countersunk screw				
14	9421424	Bundmutter	Collar nut	49	Z100162	Stellhülse	Adjusting sleeve				
15	Z1511160	Gewindestift	Threaded stud	50	TG42/73	Mutter	Nut				
16	Z1511165	Messerhalter (mit Pos. 17, 18, 19)	Knife holder (with pos. 17, 18, 19)	51	246320	Druckfeder	Pressure spring				
17	5561313a	Bef.-Schraube	Fastening screw	52	718254	Stange	Rod				
18	265131	Bolzen	Bolt	53	MG43/403	Klemme	Binder				
19	5411395	Gewindestift	Threaded stud	54	MG43/404	6kt.-Schraube	Hexagonal screw				
20	Z1511059	Messer	Knife	55	5562267	Gelenk	Link				
21	Z1511172	Fingerschutz	Finger guard	56	MG43/408	6kt.-Mutter	Hexagonal nut				
22	55830	Zyl.-Schraube	Cyl. head screw	57	557263	Scheibe	Washer				
23	Z1511173	Fingerschutz	Finger guard	58	74423566	Verschraubung	Screwed connection				
24	74423556	Winkel-Verschr.	Square coupling screw								
25	App. 528	Schraube	Screw								
26	7991612	Kabelhalter	Cable clamp								
27	5701836	Bef.-Platte	Mounting plate								
28	MG43/36	6kt.-Schraube	Hexagonal screw								
29	72043	Scheibe	Washer								
30	72042a	6kt.-Mutter	Hexagonal nut								
31	72153	Bef.-Winkel	Fastening square								
32	7427274	Reduzierventil	Reducing valve								
33	74423556	Winkel-Verschr.	Square coupling screw								
34	72171	Anschluß kpl. (best. aus Pos. 35 bis 40)	Coupling hose cpl. (cons. of pos. 35 up to 40)								
						Z 151-401					
				59	Z1511201	Abhacker kpl. (best. aus Pos. 2 bis 15, 17 bis 20, 22, 24 bis 58, 60 bis 63)	Chop-off device cpl. (cons. of pos. 2 up to 15, 17 bis 20, 22, 24 up to 58, 60 up to 63)				
				60	Z1511217	Fingerschutz	Finger guard				
				61	Z1511209	Messerhalter (mit Pos. 17, 18, 19)	Knife holder (with pos. 17, 18, 19)				
				62	5513188	Bef.-Schraube	Fastening screw				
				63	Z1511218	Schneidplatte	Cutting plate				

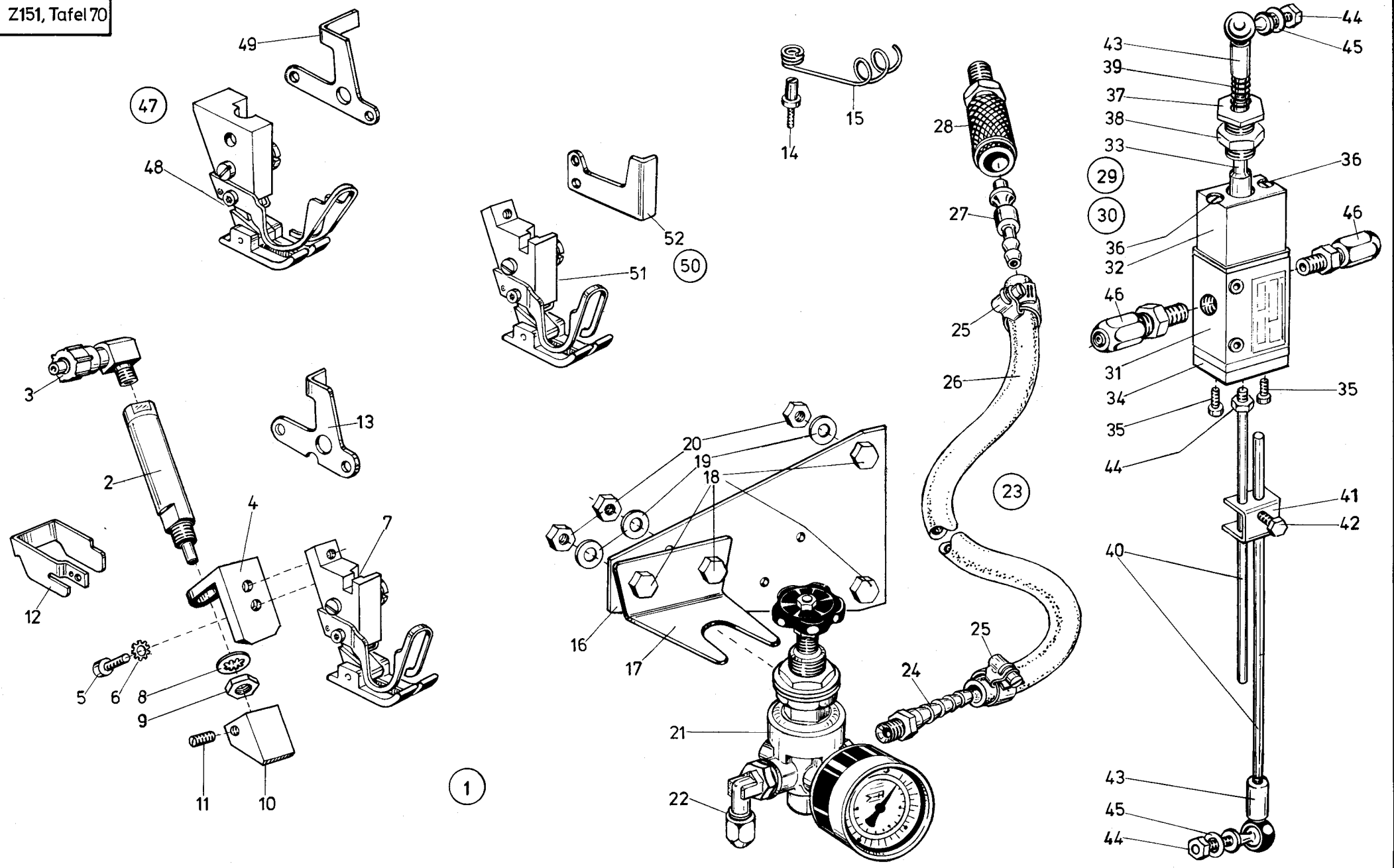


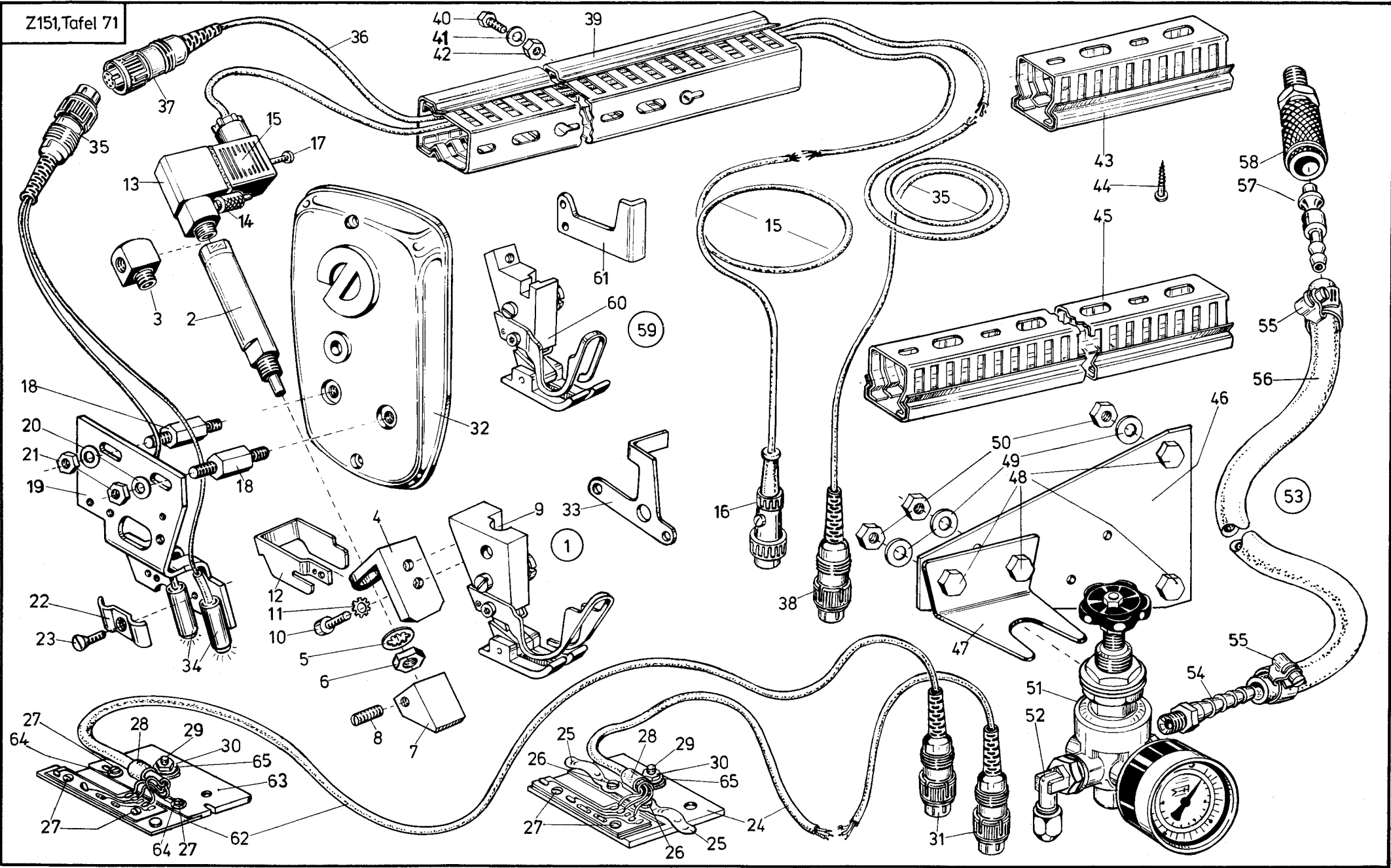
Pos. Det.	Teile Nr. Part No.	Benennung	Denomination
Z 151-311-933,			
1	Z1511501	Abhacker kpl. (best. aus Pos. 2 bis 61 und 62) Hinzu Tafel 59 und 60	Chop-off device cpl. (cons. of pos. 2 up to 61 and 62) Table 59 and 60 additionally
2	Z151992	Halter (mit Pos. 3, 4, 5)	Holding device (with pos. 3, 4, 5)
3	7461547	Lippenring	Lip seal
4	Z151997	Platte	Plate
5	531473	Zyl.-Schraube	Cyl. head screw
6	Z1511172	Fingerschutz	Finger guard
7	Z1511173	Fingerschutz	Finger guard
8	55830	Zyl.-Schraube	Cyl. head screw
9	Z1511165	Messerhalter (mit Pos. 10, 12, 13)	Knife holder (with pos. 10, 12, 13)
10	5561313a	Bef.-Schraube	Fastening screw
11	Z1511059	Messer	Knife
12	265131	Bolzen	Bolt
13	5411395	Gewindestift	Threaded stud
14	Z1511155	Haltewinkel	Supporting square
15	531473	Zyl.-Schraube	Cyl. head screw
16	Z1511152	Kopfdeckel	Face plate
17	2113016	Spezialschraube	Special screw
18	024275	Scheibe	Washer
19	MG8/7d	6kt.-Mutter	Hexagonal nut
20	911679a	6kt.-Schraube	Hexagonal screw
21	Z1511047	Abstandshülse	Distance sleeve
22	Z1511534	Platte	Plate
23	55890	Scheibe	Washer
24	739255	Zyl.-Schraube	Cyl. head screw
25	Z151846	Halblech	Holding plate
26	9312131	Senkschraube	Countersunk screw
27	Z151831a	Lichtschr.-Sender (mit Pos. 28)	Light barrier sender (with pos. 28)
28	Z151340	Steckvorrichtg.	Plug-type connector
29	Z151827	Leitung (mit Pos. 30 und 31)	Cable (with pos. 30 and 31)
30	Z151830	Kupplung	Coupling
31	Z151357	Stecker	Contact plug
32	Z1511509	Halteplatte (mit Pos. 33 bis 39, 68)	Supporting plate (with pos. 33 up to 39, 68)

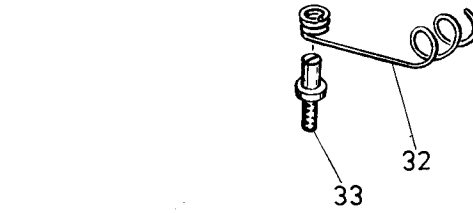
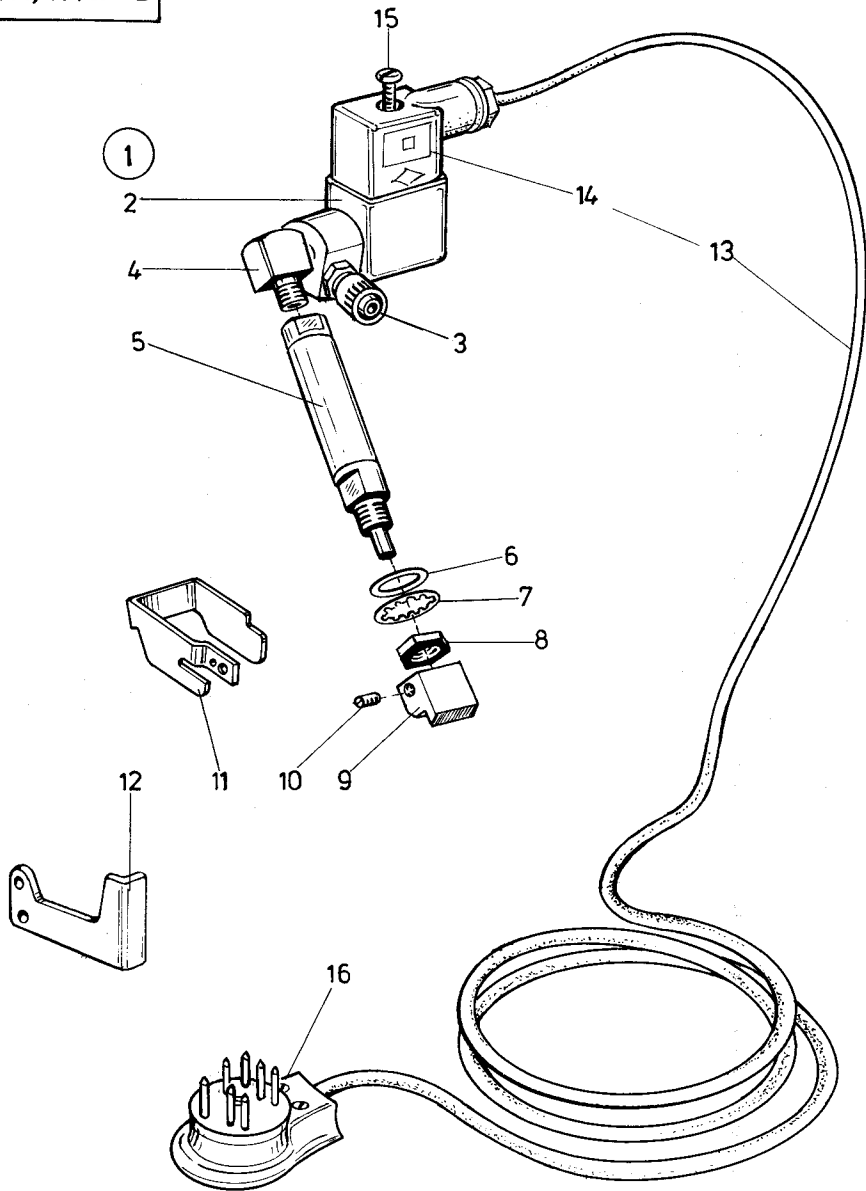
Pos. Det.	Teile Nr. Part No.	Benennung	Denomination
33	Z151161	Abdeckplatte	Cover plate
34	93320031	Schraube	Screw
35	913629	Scheibe	Washer
36	94210318	Befest.-Schelle	Fastening clip
37	7395347	Senkschraube	Countersunk screw
38	202704	Mutter	Nut
39	Z151340	Stecker	Contact plug
40	Z151135	Magnetventil (mit Pos. 41)	Solenoid valve (with pos. 41)
41	7221139	Schnellverschr.	Quick coupling screw
42	Z151131	Leitung (mit Pos. 43)	Cable (with pos. 43)
43	93320350	Stecker	Contact plug
44	739404	Zyl.-Schraube	Cyl. head screw
45	Z1511160	Gewindestift	Threaded stud
46	9421424	Bundmutter	Collar nut
47	9335643	Halblech	Holding plate
48	Z151371	Kabelkanal	Cable channel
49	216120	6kt.-Schraube	Hexagonal screw
50	55890	Scheibe	Washer
51	202704	6kt.-Mutter	Hexagonal nut
52	Z151375	Kabelkanal	Cable channel
53	713302	Holzschraube	Wood screw
54	798607	Kabelkanal	Cable channel
55	5701836	Bef.-Platte	Mounting plate
56	MG43/36	6kt.-Schraube	Hexagonal screw
57	72043	Scheibe	Washer
58	72042a	6kt.-Mutter	Hexagonal nut
59	72153	Bef.-Winkel	Fastening square
60	7427274	Reduzierventil	Reducing valve
61	74423556	Winkelverschr.	Square coupling screw
62	72171	Anschlußschlauch (mit Pos. 63 bis 67)	Coupling hose (with pos. 63 up to 67)
63	Z11538	Schlauchtülle	Sleeve
64	7422096	Schlauchklemme	Hose clip
65	Z11577	Schlauch	Hose
66	7449513	Tülle	Sleeve
67	7441793a	Kupplungsdose	Coupling socket
68	5691895	Scheibe	Washer

Pos. Det.	Teile Nr. Part No.	Benennung	Denomination
--------------	-----------------------	-----------	--------------

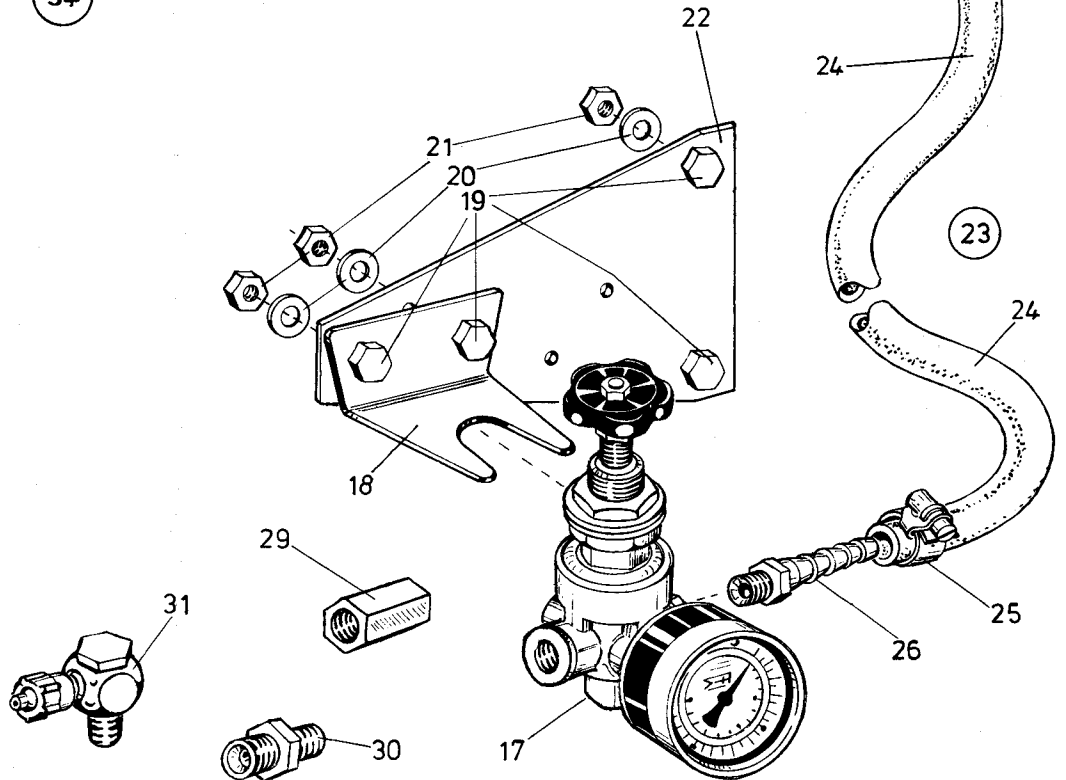








34



Pos. Det.	Teile Nr. Part No.	Benennung	Denomination
Z 151-601			
1	Z1512141	Fußtrittgeschalteter elektro-pneum. Abhacker kpl. für Kl. 934 auf MG 43 u. MG 47 (best. aus Pos. 2 bis 33)	Pedal controlled electro-pneumatic chop-off device cpl. for Cl. 934 on motor stand MG 43 and MG 47 (cons. of pos. 2 up to 33)
2	Z151136	Magnetventil	Solenoid valve
3	7221139	Schl.-Verschr.	Hose coupling screw
4	P12153	Winkelstück	Supporting angle piece
5	Z151111	Zylinder	Cylinder
6	5551085	Scheibe	Washer
7	Z151110	Zahnscheibe	Tooth lock washer
8	Z151109	6kt.-Mutter	Hexagonal nut
9	Z151492	Abhackmesser (mit Pos. 10)	Chop-off knife (with pos. 10)
10	147203	Gewindestift	Threaded stud
11	Z1511605	Fingerschutz	Finger guard
12	9335643	Halteblech	Retaining plate
13	Z1512161	Leitung (mit Pos. 14, 15, 16)	Cable (with pos. 14, 15, 16)
14	Z151137	Steckverbindung	Plug type connection
15	739404	Zyl.-Schraube	Cyl. head screw
16	MG41/1124	Stecker	Plug type connector
17	7427274	Druckregelventil	Pressure regulator valve
18	72153	Bef.-Winkel	Mounting angle
19	MG43/36	6kt.-Schraube	Hexagonal screw
20	72043	Scheibe	Washer
21	72042a	6kt.-Mutter	Hexagonal nut
22	5701836	Bef.-Platte	Mounting plate
23	72171	Anschlußschlauch kpl. (best. aus Pos. 24 bis 28)	Coupling hose cpl. (cons. of pos. 24 up to 28)
24	Z11577	Anschl.-Schlauch	Coupling hose
25	7422096	Schlauchklemme	Hose clip
26	Z11538	Schlauchtülle	Hose nozzle
27	7449513	Schlauchtülle	Hose nozzle
28	7441793a	Schl.-Kupplung	Hose coupling
29	7442528	Muffe	Bushing
30	7441819	Doppelnippel	Double nipple
31	7422273	L-Verschr.	L-coupling screw
32	7991612	Kabelhalter	Cable holder
33	App. 528	Schraube	Screw

Pos. Det.	Teile Nr. Part No.	Benennung	Denomination
Z 151-601			
34	Z1512171	Fußtrittgesteuerter elektro-pneumat. Abhacker kpl. für DAP 3-2-1 und DAP 3-3-1 (best. aus Pos. 2 bis 21, 29 bis 33)	Pedal controlled electro-pneumatic chop-off device cpl. for DAP 3-2-1 and DAP 3-3-1 (cons. of pos. 2 up to 21, 29 up to 33)

Pos. Det.	Teile Nr. Part No.	Benennung	Denomination
--------------	-----------------------	-----------	--------------